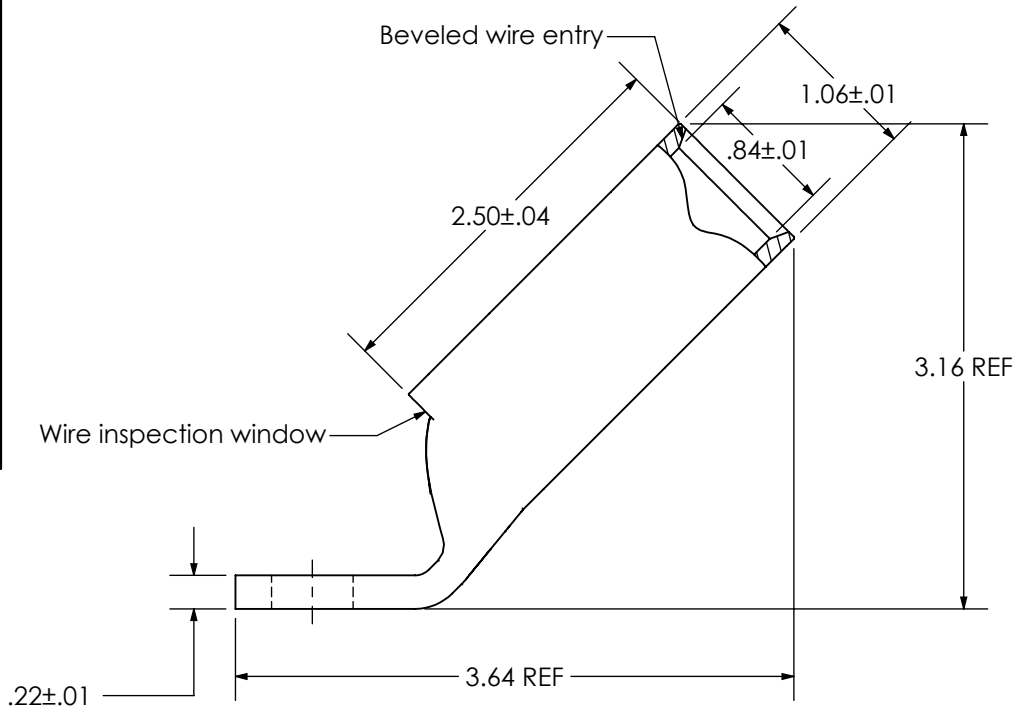
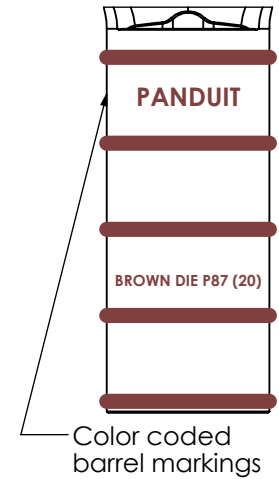
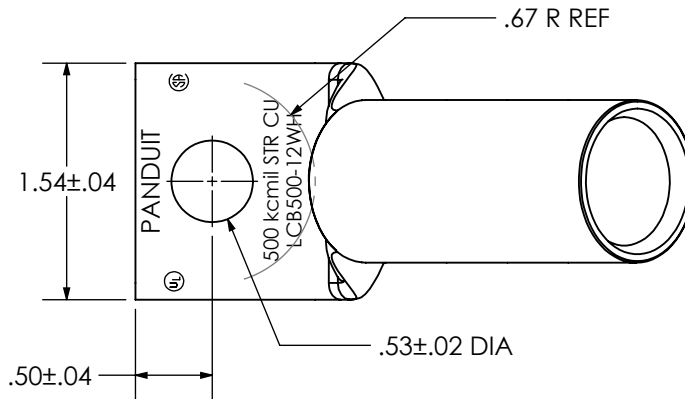


THIS COPY IS PROVIDED ON A RESTRICTED BASIS AND IS NOT TO BE USED IN ANY WAY DETRIMENTAL TO THE INTERESTS OF PANDUIT CORP.

Material	High Conductivity Seamless Copper Tube
Plating	Electro-Tin
Wire Size	500 kcmil
Wire Type	Stranded Copper; Class B: Compact, Compressed or Concentric, Class C: Concentric
Wire Strip Length	2-9/16 in.
Stud Size	1/2 in.
UL Listed Wire Connector	Yes, for applications up to 35kv. Consult cable manufacturer for voltage stress relief instructions with applications greater than 2000 volts.
UL Temperature Rating	90° C
C.S.A Certified Wire Connector	Yes
Panduit Color Code on Barrel	BROWN
Panduit Die Index No. on Barrel	P87
Alternate Industry Die Index No. () on Barrel	(20)



REV	DATE	BY	CHK	DESCRIPTION	ECN	-R	RGB	SCALE
00	4/17	JHNU	JHNU	DRAWING RELEASED	019765	RGB	RGB	N/A

PANDUIT CORP. TINLEY PARK, ILLINOIS

LCB500-12WH-6
Copper Lug - One-Hole, Long Barrel with Window, 45° Angle Tongue

DRAWING NO / CAD FILE: LCB500-12WH-CUST