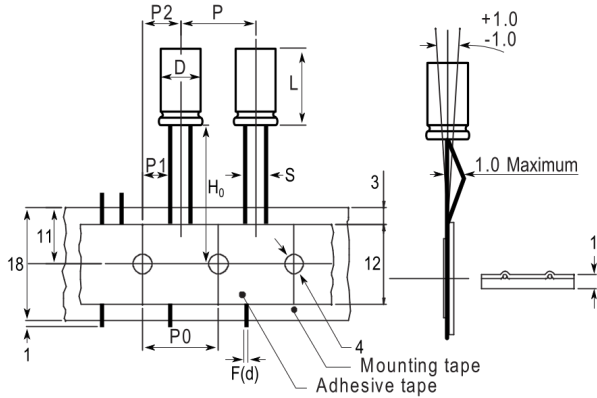


Straight Leads Diameter > 8  
Lead and packaging code EA and KA



Note: '(j)' correspond to the letters used in the product bulletin

Click [here](#) for the 3D model.

### Dimensions

D	16mm +/-0.5mm
L	25mm +2mm
S	7.5mm +/-0.5mm
LL Negative	15mm MIN
LL Positive	20mm MIN
F	0.8mm NOM

### Packaging Specifications

Packaging	Ammo
Packaging Quantity	300

### General Information

Series	ESG
Dielectric	Aluminum Electrolytic
Description	Long Life Single Ended Aluminum Electrolytic
Features	Long Life
RoHS	Yes
Lead	Wire Leads
AEC-Q200	No

### Specifications

Capacitance	33 uF
Capacitance Tolerance	20%
Voltage DC	450 VDC, 500 VDC (Surge)
Temperature Range	-25/+105°C
Rated Temperature	105°C
Life	5000 Hrs
Dissipation Factor	24% 120Hz 20C
Ripple Current	235 mAmps (120Hz 105C)
Leakage Current	901 uA (2min 20°C)
Impedance Ratio at -25C	6