

EM2905 Series
EuroMag Terminal Blocks

High Current; 5.00 Centers; Modular

SPECIFICATIONS

Rating: 25A, 300V

Center Spacing: 0.197" (5.00mm)

Wire Range: #10-24 AWG

Housing Material: UL rated 94V0 Thermoplastic

Contact Material: Brass Tin-Plated

Cage Material: Brass, Nickel-Plated

Screw Size: M2.6 Zinc-Plated Steel

Operating Temperature: 105°C (221°F) max., -40°C (-40°F) min.

Torque Rating: 6.0 lb-in.

Recommended PCB Hole Diameters: 0.055" (1.40mm)

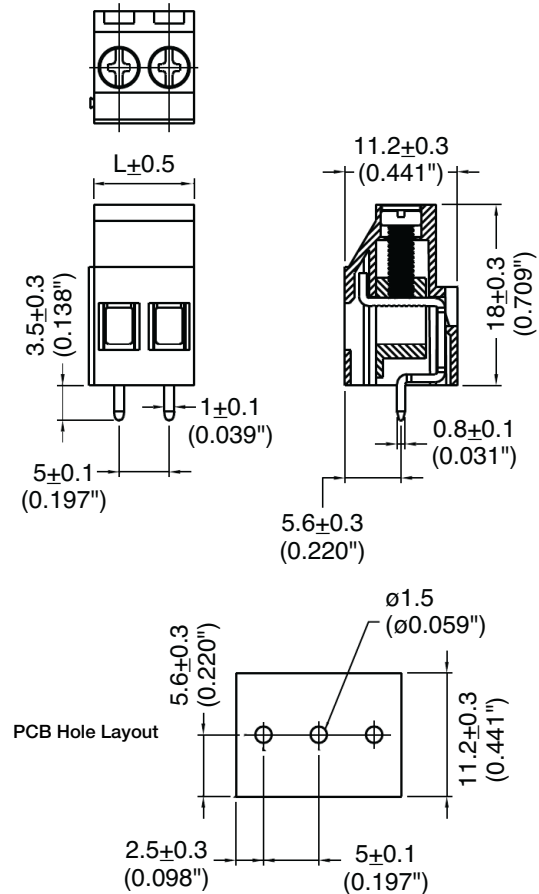
Construction: Modular design features dovetails for interlocking to achieve longer lengths

Agency Information: File E62622; CE Certified



EM290508

Dimensions - mm (in)



Poles	L (mm)	Poles	L (mm)
2	10.0	14	70.0
3	15.0	15	75.0
4	20.0	16	80.0
5	25.0	17	85.0
6	30.0	18	90.0
7	35.0	19	95.0
8	40.0	20	100.0
9	45.0	21	105.0
10	50.0	22	110.0
11	55.0	23	115.0
12	60.0	24	120.0
13	65.0		

To convert to inches, divide by 25.4

Part Numbering System

Series

of Poles

EM2905

□□

02 to 24

Terminal Blocks:
Single Row

EuroMag Series
High Current

Edge Connectors,
One-Sided Boards

Compliance
References

**EM2908 Series
EuroMag Terminal Blocks**

High Current; 5.08 Centers; Modular

SPECIFICATIONS

Rating: 25A, 300V

Center Spacing: 0.20" (5.08mm)

Wire Range: #10-24 AWG

Housing Material: UL rated 94V0 Thermoplastic

Contact Material: Brass Tin-Plated

Cage Material: Brass, Nickel-Plated

Screw Size: M2.6 Zinc-Plated Steel

Operating Temperature: 105°C (221°F) max., -40°C (-40°F) min.

Torque Rating: 6.0 lb-in.

Recommended PCB Hole Diameters: 0.055" (1.40mm)

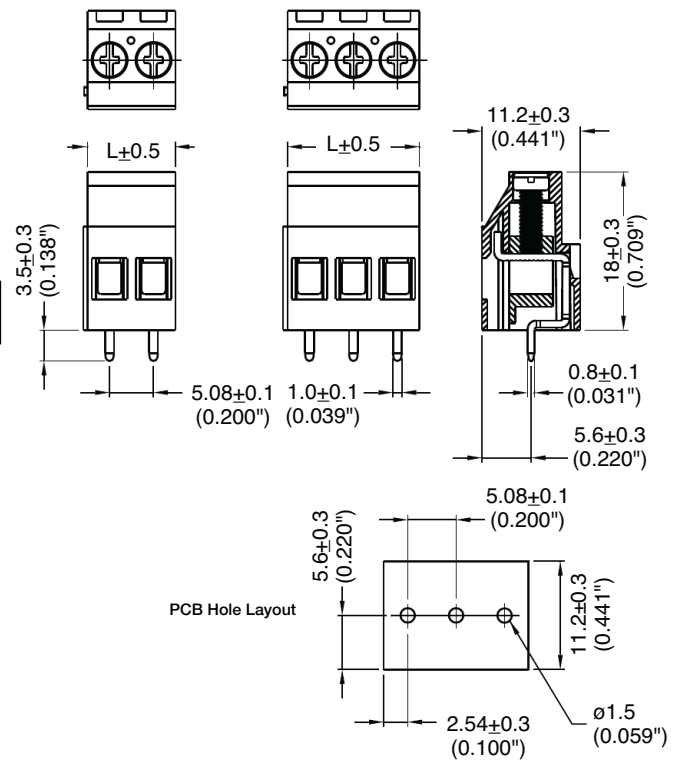
Construction: Modular design features dovetails for interlocking to achieve longer lengths

Agency Information: File E62622; CE Certified



EM290808

Dimensions - mm (in)



Poles	L (mm)	Poles	L (mm)
2	10.16	14	71.12
3	15.24	15	76.20
4	20.32	16	81.28
5	25.40	17	86.36
6	30.48	18	91.44
7	35.56	19	96.52
8	40.64	20	101.60
9	45.72	21	106.68
10	50.80	22	111.76
11	55.88	23	116.84
12	60.96	24	121.92
13	66.04		

To convert to inches, divide by 25.4

Part Numbering System

Series

of Poles

EM2908

□□

02 to 24

Terminal Blocks:
Single Row

EuroMag Series
High Current

Edge Connectors,
One-Sided Boards

Compliance
References

EM9126 Series
EuroMag Terminal Blocks
 6.35 Centers; Modular

SPECIFICATIONS

Rating: 30A, 300V

Center Spacing: 0.250" (6.35mm)

Wire Range: #10-24 AWG

Housing Material: UL rated 94V0 Thermoplastic

Contact Material: Brass Tin-Plated

Cage Material: Brass, Nickel-Plated

Screw Size: M3.0 Zinc-Plated Steel

Operating Temperature: 105°C (221°F) max., -40°C (-40°F) min.

Torque Rating: 5.5 lb-in.

Recommended PCB Hole Diameters: 0.071" (1.80mm)

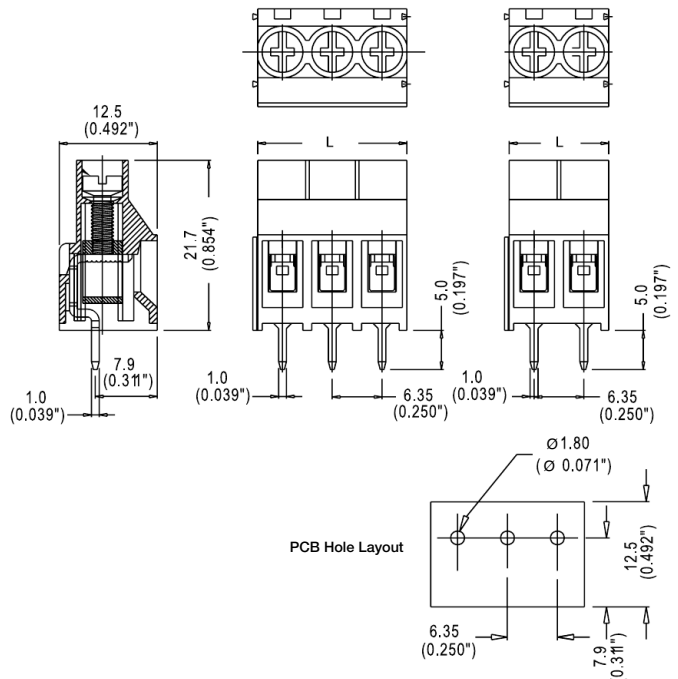
Construction: Modular design features dovetails for interlocking to achieve longer lengths

Agency Information: File E62622; CE Certified



EM912605

Dimensions - mm (in)



Poles	L (mm)	Poles	L (mm)
2	12.70	14	88.90
3	19.05	15	95.25
4	25.40	16	101.60
5	31.75	17	107.95
6	38.10	18	114.30
7	44.45	19	120.65
8	50.80	20	127.00
9	57.15	21	133.35
10	63.50	22	139.70
11	69.85	23	146.05
12	76.20	24	152.40
13	82.55		

To convert to inches, divide by 25.4

Part Numbering System

Series

of Poles

EM9126

02 to 24

Terminal Blocks:
Single Row

EuroMag Series
High Current

Edge Connectors,
One-Sided Boards

Compliance
References

EM9127 Series
EuroMag Terminal Blocks
 7.50 Centers; Modular

SPECIFICATIONS

Rating: 30A, 300V

Center Spacing: 0.29" (7.50mm)

Wire Range: #10-24 AWG

Housing Material: UL rated 94V0 Thermoplastic

Contact Material: Brass Tin-Plated

Cage Material: Brass, Nickel-Plated

Screw Size: M3.5 Zinc-Plated Steel

Operating Temperature: 105°C (221°F) max., -40°C (-40°F) min.

Torque Rating: 5.5 lb-in.

Recommended PCB Hole Diameters: 0.071" (1.80mm)

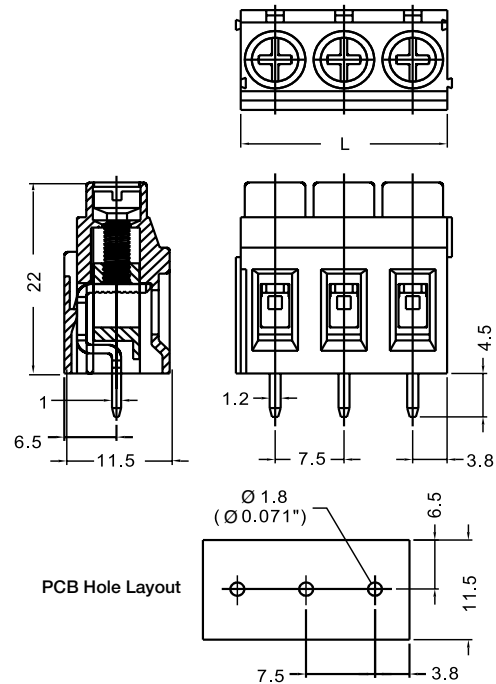
Construction: Modular design features dovetails for interlocking to achieve longer lengths

Agency Information: File E62622; CE Certified



EM912705

Dimensions - mm



Poles	L (mm)	Poles	L (mm)
2	15.0	14	105.0
3	22.5	15	112.5
4	30.0	16	120.0
5	37.5	17	127.5
6	45.0	18	135.0
7	52.5	19	142.5
8	60.0	20	150.0
9	67.5	21	157.5
10	75.0	22	165.0
11	82.5	23	172.5
12	90.0	24	180.0
13	97.5		

To convert to inches, divide by 25.4

Part Numbering System



Terminal Blocks:
Single Row

EuroMag Series
High Current

Edge Connectors,
One-Sided Boards

Compliance
References

EM9128 Series
EuroMag Terminal Blocks
 7.62 Centers; Modular

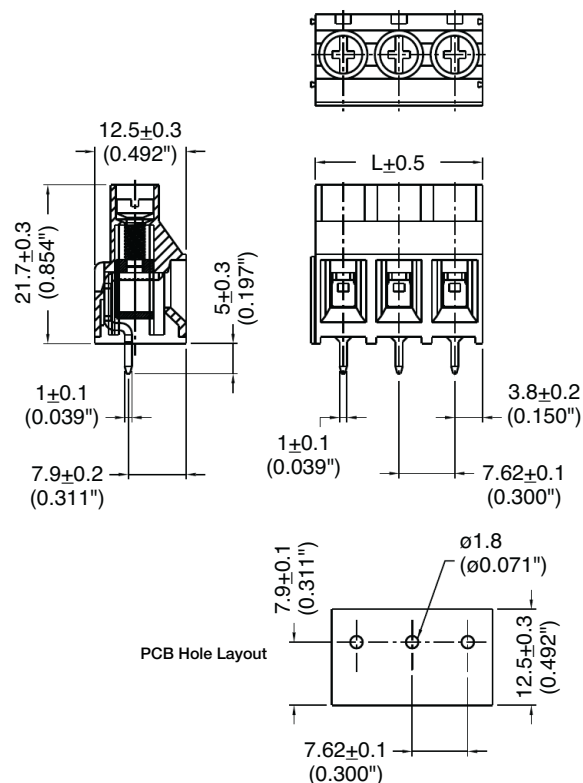
SPECIFICATIONS

- Rating:** 30A, 300V
- Center Spacing:** 0.30" (7.62mm)
- Wire Range:** #10-24 AWG
- Housing Material:** UL rated 94V0 Thermoplastic
- Contact Material:** Brass Tin-Plated
- Cage Material:** Brass, Nickel-Plated
- Screw Size:** M3.0 Zinc-Plated Steel
- Operating Temperature:** 105°C (221°F) max., -40°C (-40°F) min.
- Torque Rating:** 5.5 lb-in.
- Recommended PCB Hole Diameters:** 0.071" (1.80mm)
- Construction:** Modular design features dovetails for interlocking to achieve longer lengths
- Agency Information:** File E62622; CE Certified



EM912805

Dimensions - mm (in)



Poles	L (mm)	Poles	L (mm)
2	15.24	14	106.68
3	22.86	15	114.30
4	30.48	16	121.92
5	38.10	17	129.54
6	45.72	18	137.16
7	53.34	19	144.78
8	60.96	20	152.40
9	68.58	21	160.02
10	76.20	22	167.64
11	83.82	23	175.26
12	91.44	24	182.88
13	99.06		

To convert to inches, divide by 25.4

Part Numbering System



Terminal Blocks: Single Row

EuroMag Series High Current

Edge Connectors, One-Sided Boards

Compliance References

EM2909 Series
EuroMag Terminal Blocks

35° Angle; 9.52 Centers; Modular

SPECIFICATIONS

Rating: 30A, 600V

Center Spacing: 0.375" (9.52mm)

Wire Range: #10-24 AWG

Housing Material: UL rated 94V0 Thermoplastic

Contact Material: Brass Tin-Plated

Cage Material: Steel, Nickel-Plated

Screw Size: M3.0 Zinc-Plated Steel

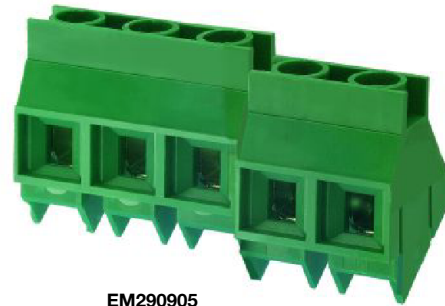
Operating Temperature: 105°C (221°F) max., -40°C (-40°F) min.

Torque Rating: 9.0 lb-in.

Recommended PCB Hole Diameters: 0.055" (1.40mm)

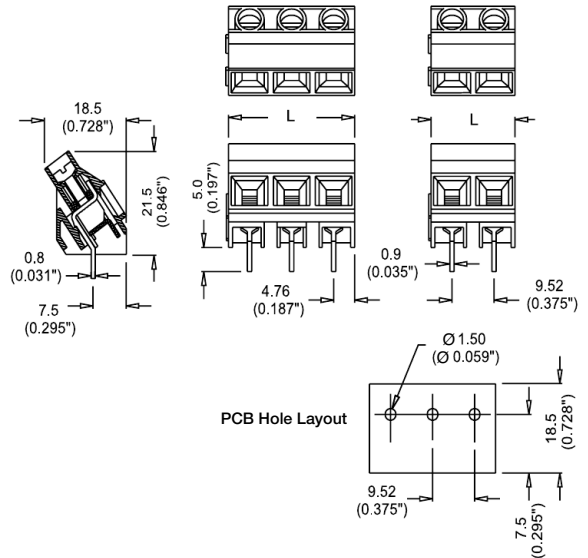
Construction: Modular design features dovetails for interlocking to achieve longer lengths

Agency Information: E62622; CE Certified



EM290905

Dimensions - mm (in)



Poles	L (mm)	Poles	L (mm)
2	19.04	14	133.28
3	28.56	15	142.80
4	38.08	16	152.32
5	47.60	17	161.84
6	57.12	18	171.36
7	66.64	19	180.88
8	76.16	20	190.40
9	85.68	21	199.92
10	95.20	22	209.44
11	104.72	23	218.96
12	114.24	24	228.48
13	123.76		

To convert to inches, divide by 25.4

Part Numbering System

Series

of Poles

EM2909

□□

02 to 24

Terminal Blocks:
Single Row

EuroMag Series
High Current

Edge Connectors,
One-Sided Boards

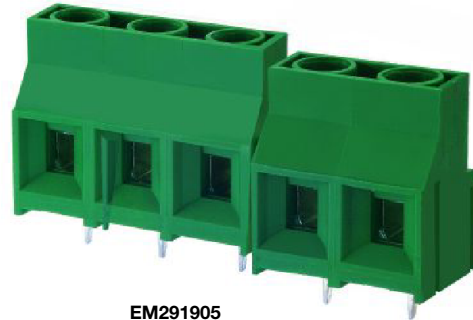
Compliance
References

EM2919 Series
EuroMag Terminal Blocks
 9.52 Centers; Modular

SPECIFICATIONS

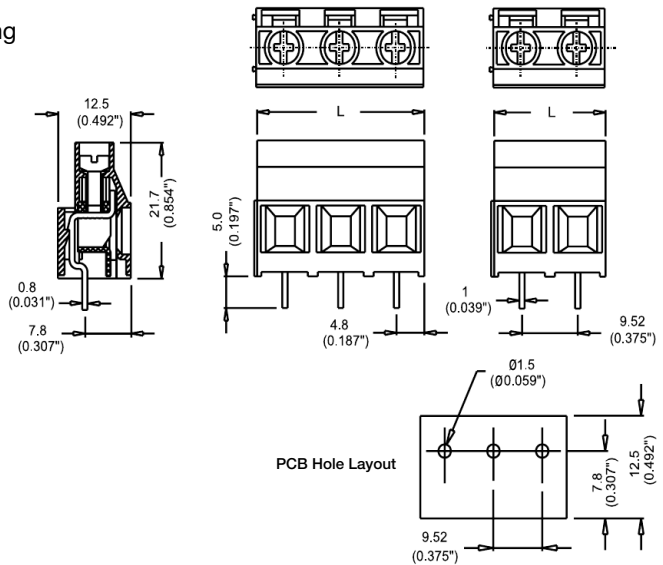
Rating: 30A, 600V
Center Spacing: 0.375" (9.52mm)
Wire Range: #10-24 AWG
Housing Material: UL rated 94V0 Thermoplastic
Contact Material: Brass Tin-Plated
Cage Material: Steel, Nickel-Plated
Screw Size: M3.0 Zinc-Plated Steel
Operating Temperature: 105°C (221°F) max., -40°C (-40°F) min.

Torque Rating: 9.0 lb-in.
Recommended PCB Hole Diameters: 0.055" (1.40mm)
Construction: Modular design features dovetails for interlocking to achieve longer lengths
Agency Information: e US File E62622; CE Certified



EM291905

Dimensions - mm (in)



Poles	L (mm)	Poles	L (mm)
2	19.04	14	133.28
3	28.56	15	142.80
4	38.08	16	152.32
5	47.60	17	161.84
6	57.12	18	171.36
7	66.64	19	180.88
8	76.16	20	190.40
9	85.68	21	199.92
10	95.20	22	209.44
11	104.72	23	218.96
12	114.24	24	228.48
13	123.76		

To convert to inches, divide by 25.4

Part Numbering System



Terminal Blocks:
Single Row

EuroMag Series
High Current

Edge Connectors,
One-Sided Boards

Compliance
References

**EM2929 Series
EuroMag Terminal Blocks**

Hi-Current; 10.16 Centers

SPECIFICATIONS

Rating: 65A, 300V

Center Spacing: 0.40" (10.16mm)

Wire Range: #6-20 AWG

Housing Material: UL rated 94V0 Thermoplastic

Contact Material: Tin-Plated Copper

Cage Material: Steel, Chromate Plated

Screw Size: M4 Stainless Steel

Operating Temperature: 105°C (221°F) max., -40°C (-40°F) min.

Torque Rating: 15 lb-in.

Recommended PCB Hole Diameters: 0.055" (1.40mm)

Construction: Mold to length

Agency Information: File E62622; CE Certified

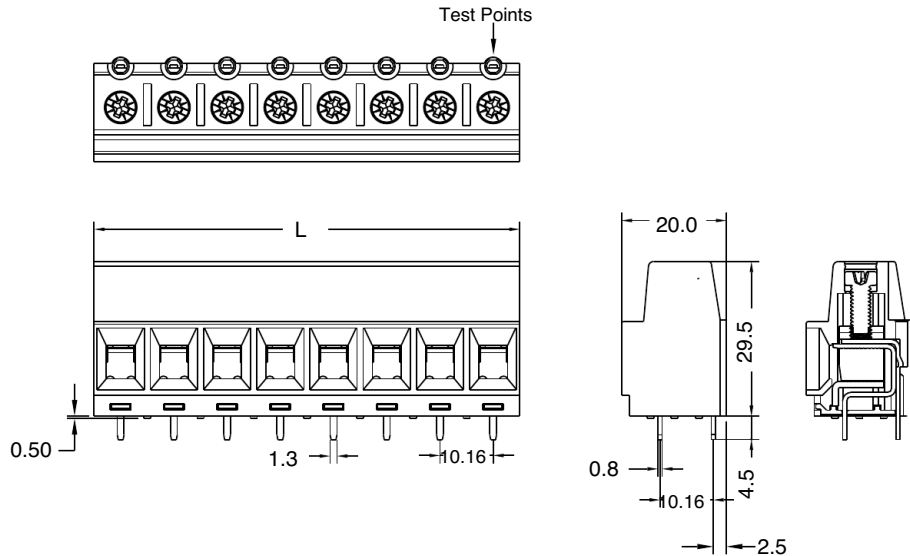


EM292908

Dimensions - mm

Poles	L (mm)
2	20.34
3	30.50
4	40.66
5	50.82
6	60.98
7	71.14
8	81.30

To convert to inches, divide by 25.4



Part Numbering System

Series

of Poles

EM2929

□□ - UL

02 to 08

Terminal Blocks:
Single Row

EuroMag Series
High Current

Edge Connectors,
One-Sided Boards

Compliance
References

EM2939 Series EuroMag Terminal Blocks

Hi-Current, 15.00 Centers

SPECIFICATIONS

Rating: 115A, 600V with No Bottom Cover (NC) Option.

Center Spacing: 0.591" (15.00mm)

Wire Range: #2-20 AWG

Housing Material: UL rated 94V0 Thermoplastic

Contact Material: Tin-Plated Copper

Cage Material: Steel, Chromate-Plated

Screw Size: M5 Stainless Steel

Operating Temperature: 105°C (221°F) max., -40°C (-40°F) min.

Torque Rating: 15 lb-in.

Recommended PCB Hole Diameters: 0.063" (1.60mm)

Construction: Mold to length

Agency Information: cULus File E62622; CE Certified

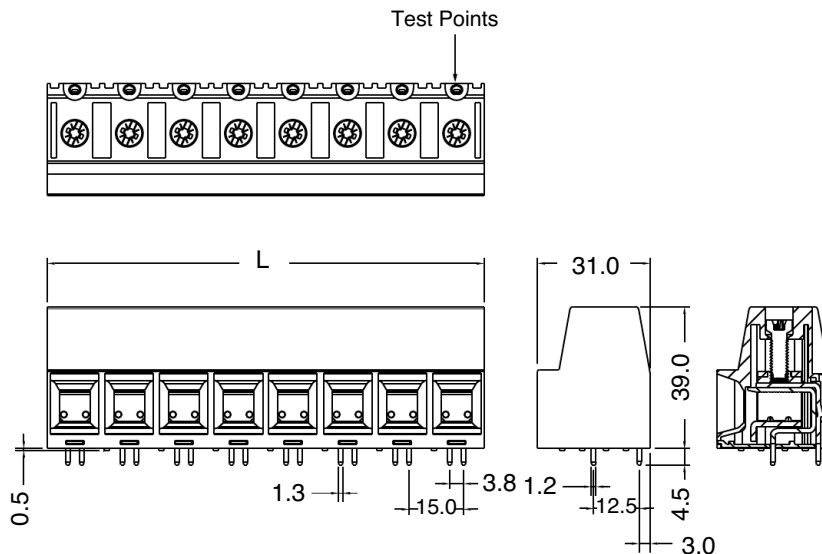


EM293908

Poles	L (mm)
2	30.0
3	45.0
4	60.0
5	75.0
6	90.0
7	105.0
8	120.0

To convert to inches, divide by 25.4

Dimensions - mm



Part Numbering System

Series

EM2939

of Poles

□□

02 to 08

EM3905 Series
EuroMag Terminal Blocks

High Current; Two Tier; 5.00 Centers; Modular

SPECIFICATIONS

Rating: 25A, 300V

Center Spacing: 0.197" (5.00mm)

Wire Range: #10-24 AWG

Housing Material: UL rated 94V0 Thermoplastic

Contact Material: Tin-Plated Brass

Cage Material: Brass, Nickel-Plated

Screw Size: M2.6 Zinc-Plated Steel

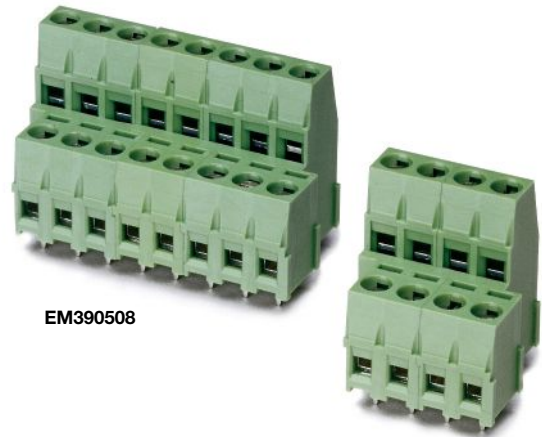
Operating Temperature: 105°C (221°F) max., -40°C (-40°F) min.

Torque Rating: 6.0 lb-in.

Recommended PCB Hole Diameters: 0.055" (1.40mm)

Construction: Modular design features dovetails for interlocking to achieve longer lengths

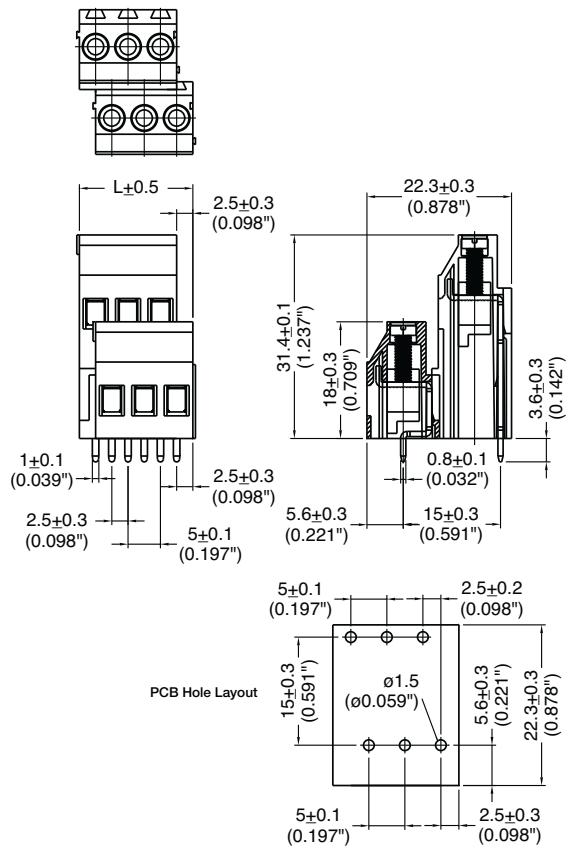
Agency Information: File E62622; CE Certified



EM390508

EM390504

Dimensions - mm (in)



Poles	L (mm)	Poles	L (mm)
2	12.5	14	72.5
3	17.5	15	77.5
4	22.5	16	82.5
5	27.5	17	87.5
6	32.5	18	92.5
7	37.5	19	97.5
8	42.5	20	102.5
9	47.5	21	107.5
10	52.5	22	112.4
11	57.5	23	117.5
12	62.5	24	122.5
13	67.5		

To convert to inches, divide by 25.4

Part Numbering System

Series

of Poles

EM3905

02 to 24

Terminal Blocks:
Single Row

EuroMag Series
High Current

Edge Connectors,
One-Sided Boards

Compliance
References

EM3908 Series

EuroMag Terminal Blocks

High Current; Two-Tier; 5.08 Centers; Modular

SPECIFICATIONS

Rating: 25A, 300V

Center Spacing: 0.20" (5.08mm)

Wire Range: #10-24 AWG

Housing Material: UL rated 94V0 Thermoplastic

Contact Material: Brass Tin-Plated

Cage Material: Brass, Nickel-Plated

Screw Size: M2.6 Zinc-Plated Steel

Operating Temperature: 105°C (221°F) max., -40°C (-40°F) min.

Torque Rating: 6.0 lb-in.

Recommended PCB Hole Diameters: 0.055" (1.40mm)

Construction: Modular design features dovetails for interlocking to achieve longer lengths

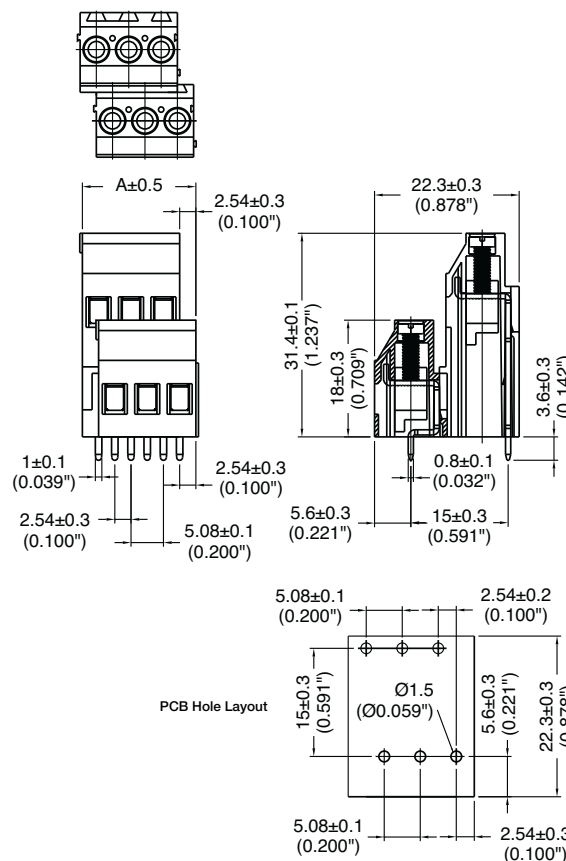
Agency Information: cULus File E62622; CE Certified



EM390808

EM390804

Dimensions - mm (in)



Poles	L (mm)	Poles	L (mm)
2	10.16	14	71.12
3	15.24	15	76.20
4	20.32	16	81.28
5	25.40	17	86.36
6	30.48	18	91.44
7	35.56	19	96.52
8	40.64	20	101.60
9	45.72	21	106.68
10	50.80	22	111.76
11	55.88	23	116.84
12	60.96	24	121.92
13	66.04		

To convert to inches, divide by 25.4

Part Numbering System

Series

of Poles

EM3908

□□

02 to 24