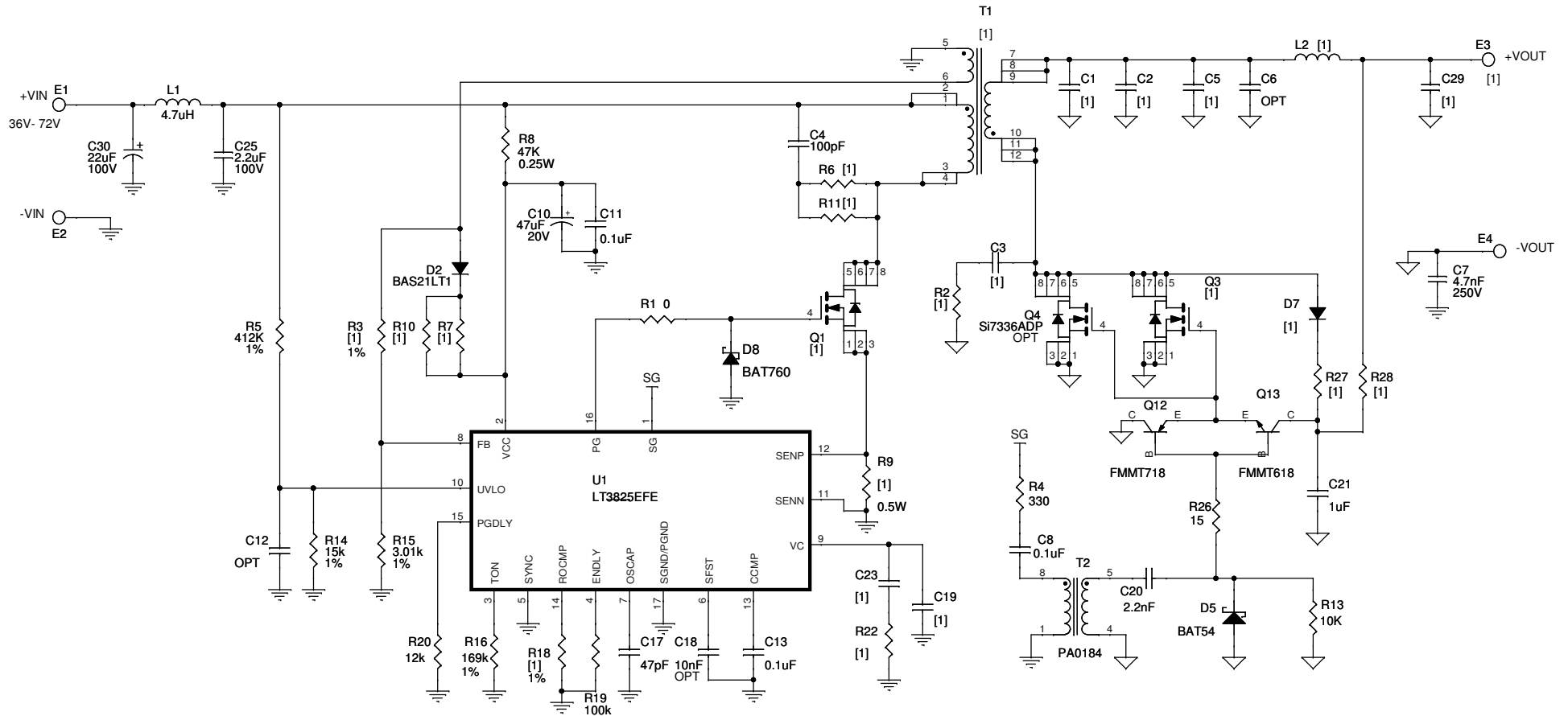


REVISION HISTORY				
ECO	REV	DESCRIPTION	DATE	APPROVED
	1	PRODUCTION	11/01/13	KURK M.



[1]

ASSY.	VOUT	IOUT	R2	R3	R6	R7	R9	R10	R11	R18	R22	R28	R27	D7	C1,C2	C3	C5	C19	C23	C29	T1	L2	Q1	Q3
-A	3.3V	12A	4.7	28.7K	110	39	0.02	39	110	909	20K	OPT	47	B0540W	47uF	2.2nF	47uF	2.2nF	10nF	470uF	PA1477NL	0.1uH	Si4490DY	Si7336ADP
-B	5V	8A	4.7	29.4K	150	20	0.018	OPT	150	1.47K	2K	OPT	47	B0540W	47uF	2.2nF	47uF	220pF	2.2nF	470uF	PA1735NL	0.1uH	BSC320N20NS	BSC011N03LSI
-C	12V	5A	15	30.9K	160	68	0.012	OPT	160	1.82K	7.5K	0	OPT	OPT	22uF	470pF	OPT	330pF	3.3nF	150uF	PA1736NL	1.0uH	BSC320N20NS	BSC028N06NS

CUSTOMER NOTICE		APPROVALS		LINEAR TECHNOLOGY	
<p>LINEAR TECHNOLOGY HAS MADE A BEST EFFORT TO DESIGN A CIRCUIT THAT MEETS CUSTOMER-SUPPLIED SPECIFICATIONS; HOWEVER, IT REMAINS THE CUSTOMER'S RESPONSIBILITY TO VERIFY PROPER AND RELIABLE OPERATION IN THE ACTUAL APPLICATION. COMPONENT SUBSTITUTION AND PRINTED CIRCUIT BOARD LAYOUT MAY SIGNIFICANTLY AFFECT CIRCUIT PERFORMANCE OR RELIABILITY. CONTACT LINEAR TECHNOLOGY APPLICATIONS ENGINEERING FOR ASSISTANCE.</p>		PCB DES.	MI	<p>1630 McCarthy Blvd. Milpitas, CA 95035 Phone: (408)432-1900 www.linear.com Fax: (408)434-0507 LTC Confidential-For Customer Use Only</p>	
		APP ENG.	KURK M.		
<p>THIS CIRCUIT IS PROPRIETARY TO LINEAR TECHNOLOGY AND SUPPLIED FOR USE WITH LINEAR TECHNOLOGY PARTS.</p>		SCALE = NONE		<p>TITLE: SCHEMATIC SYNCHRONOUS FLYBACK CONVERTER</p>	<p>SIZE: N/A IC NO.: LT3825EFE DEMO CIRCUIT 894C</p>
		DATE: 12/03/13 11:01:43		REV. 1	
				SHEET 1 OF 1	