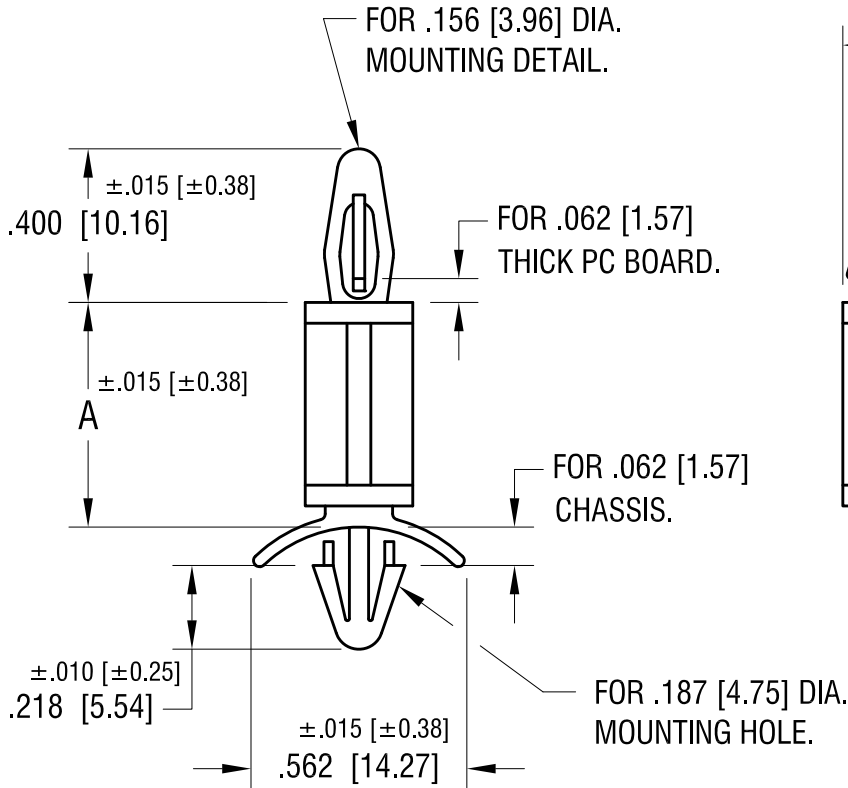
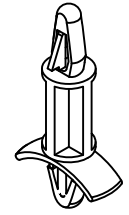


THIS DOCUMENT IS THE PROPERTY OF KEYSTONE ELECTRONICS CORP. AND SHALL NOT BE REPRODUCED, DISTRIBUTED OR USED AS A BASIS FOR MANUFACTURE WITHOUT PRIOR WRITTEN PERMISSION FROM KEYSTONE ELECTRONICS CORP.

**ACTUAL SIZE**

P/N 8810



PART NO.	'A' DIM.
8807	.187 [4.74]
8808	.250 [6.35]
8809	.375 [9.52]
8810	.500 [12.70]
8811	.625 [15.87]
8812	.750 [19.05]
8813	.875 [22.22]
8814	1.000 [25.40]

**KEYSTONE ELECTRONICS CORP.**

www.keyelco.com • NEW HYDE PARK, NY 11040 • Tel (516) 328-7500

PART NAME		PC LOCK-IN SUPPORT	
MATERIAL		NYLON 6/6, UL 94V-0	
FINISH	NONE	DRN BY	BOONE
		APP'D	LN
		DATE	11.17.95
		SCALE	2X
TOLERANCES	INCH [MM]	CODE	DWG NO.
DECIMAL	±.005 [±0.13]	C	8807-8814
ANGULAR	± 1°		
UNLESS OTHERWISE SPECIFIED			

7.18.18	CHANGE AS PER ECN 18-028	A
DATE	DESCRIPTION	REV.