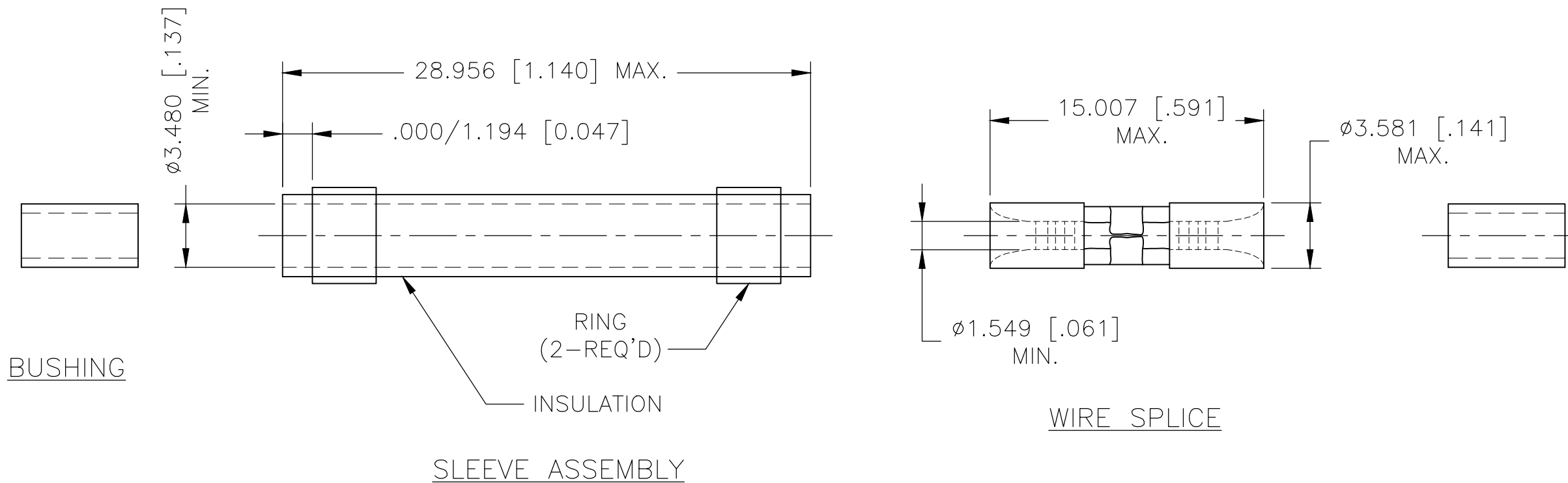
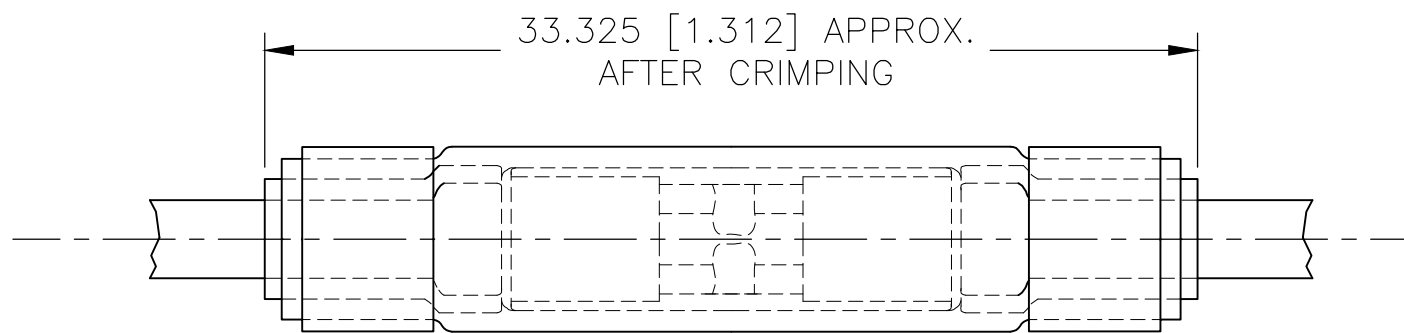


REVISIONS					
P	LTR	DESCRIPTION	DATE	DWN	APVD
	C	REVISED PER ECO-20-008004	11JUN2020	KR	DR



FOR 1.651(.064) TO 2.235(.088) WIRE INSULATION DIA.

329647	BAGGED KIT - LOOSE PIECE	1000
PART NUMBER	PACKAGE TYPE	QTY.

QTY	DESCRIPTION	MATERIAL AND FINISH
2	BUSHING	PTFE PER ASTM D3295, COLOR: NATURAL
1	WIRE SPLICE	COPPER (PER ASTM B152) GOLD PL. PER ASTM B488, TYPE II, 0.000127(.000050) MIN. EXT THK OVER NICKEL PL PER SAE AMS QQ-N-290 0.00762(.00030) MIN. EXT THK
1	SLEEVE ASSY	INSULATION: PTFE PER ASTM D3295, COLOR: NATURAL RING:ALUM(QQ-A-250/1) COLOR RED

THIS DRAWING IS A CONTROLLED DOCUMENT.

DIMENSIONS: mm [INCHES]	TOLERANCES UNLESS OTHERWISE SPECIFIED: 0 PLC ± - 1 PLC ± - 2 PLC ± - 3 PLC ± 0.127(.005) 4 PLC ± - ANGLES ± -	DWN 11JUN2020 RAGHAVENDRA K CHK 11JUN2020 DANIEL ROHDE APVD 11JUN2020 DANIEL ROHDE	TE Connectivity		
MATERIAL SEE TABLE	FINISH SEE TABLE	PRODUCT SPEC -	NAME -	SIZE A3	CAGE CODE 00779
		APPLICATION SPEC -	WIRE SPLICE KIT, BUTT, POST INSULATED, STRATO-THERM, WIRE SIZE: 18-16 AWG		DRAWING NO C-329647
		WEIGHT -	RESTRICTED TO -		SCALE 1:1
		CUSTOMER DRAWING		SHEET 1 OF 1	REV C