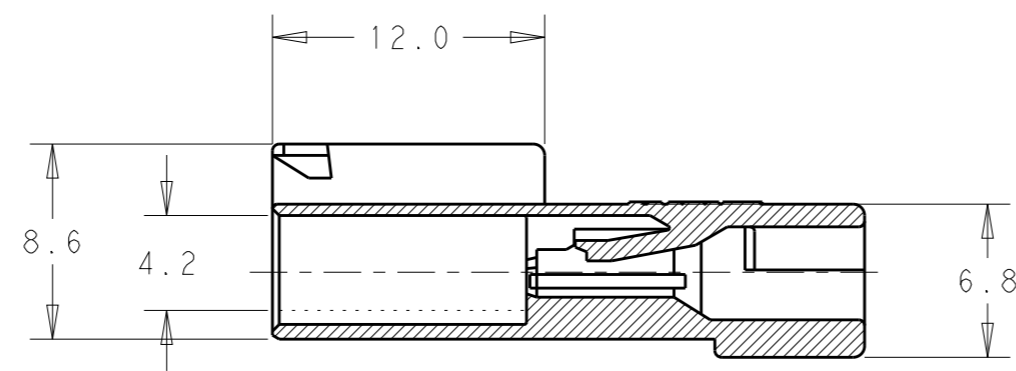
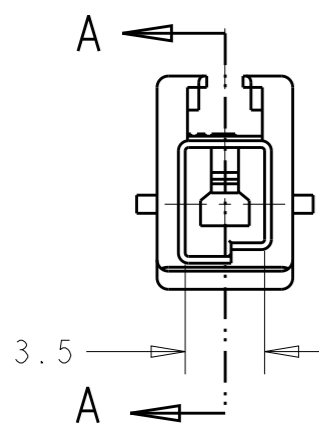
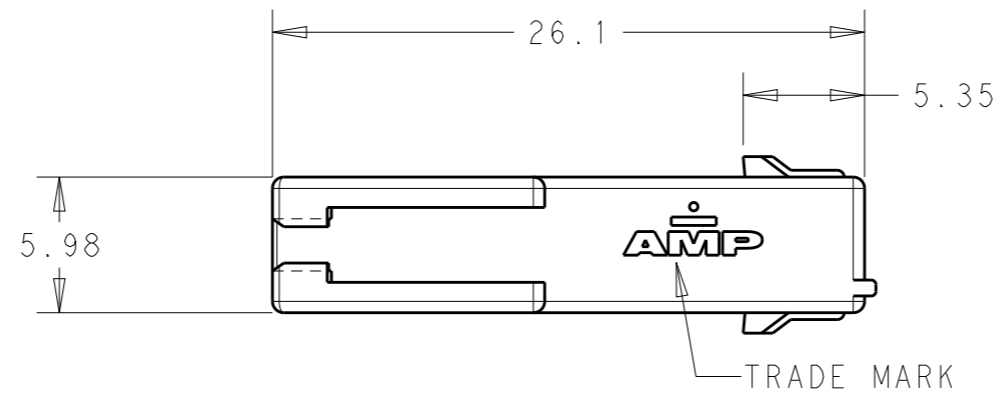
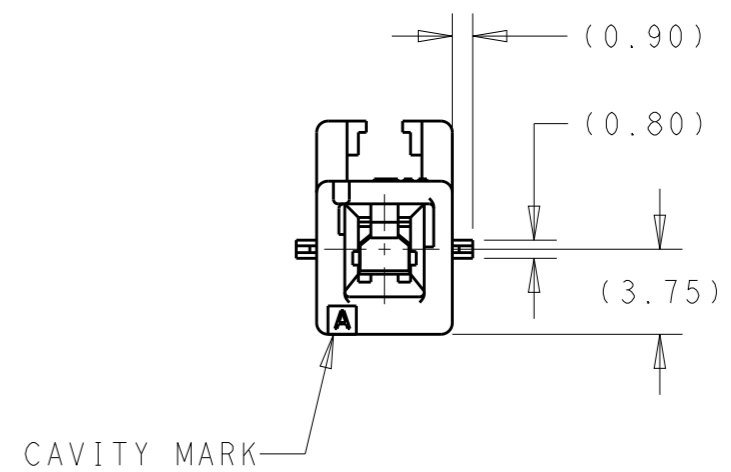


THIS DRAWING IS UNPUBLISHED. RELEASED FOR PUBLICATION 20  
 © COPYRIGHT 20 BY - ALL RIGHTS RESERVED.

REVISIONS					
P	LTR	DESCRIPTION	DATE	DWN	APVD
	B	REVISED PER ECR-19-009721	01JUL2019	M.G	D.Z



SECTION A-A



CAVITY MARK

- 1 THIS HOUSING ACCEPTS TAB TERMINAL:  
 -TAB CONTACT: 177917-□ (AWG#20-#16)  
 177916-□ (AWG#26-#22)
- 2 MATING CONN.P/N  
 -PLUG HSG: 2005246-□  
 -REC CONTACT: 177915-□ (AWG#20-#16)  
 177914-□ (AWG#26-#22)

- 3 APPLICABLE PLATE : 316770-1
- 4 INSTRUCTION SHEET : 411-5638

5 MATERIAL: PA66 UL94 V-0  
 PART 1971611-1 COMPLY WITH GLOW WIRE REQUIREMENT  
 FOR PARTS OF NON-METALLIC MATERIAL SUPPORTING A  
 CURRENT-CARRYING CONNECTION DETAILED IN IEC 60335-1,  
 SECTION 30(GWT)

NATURAL	1	1971611-1
COLOR	POS.	PART NUMBER

THIS DRAWING IS A CONTROLLED DOCUMENT.		DWN SAI, CHEN 25SEP2009	TE Connectivity NAME POWER DBL LOCK CONN 3.96mm PITCH (SGL ROW) 1 POS CAP HOUSING(F/H)(GWT)	
DIMENSIONS: mm		CHK HAPYE, WU 25SEP2009		
TOLERANCES UNLESS OTHERWISE SPECIFIED:		APVD JULIAN, ZHOU 25SEP2009		
0 PLC ± 1 PLC ±0.5 2 PLC ±0.3 3 PLC ± 4 PLC ± ANGLES ±3°		PRODUCT SPEC 108-5410		
MATERIAL		FINISH -	APPLICATION SPEC 114-5175	SIZE A3
5			WEIGHT -	CAGE CODE 00779
CUSTOMER DRAWING			SCALE 3:1	DRAWING NO C-1971611
			SHEET 1 OF 1	RESTRICTED TO -
			REV B	