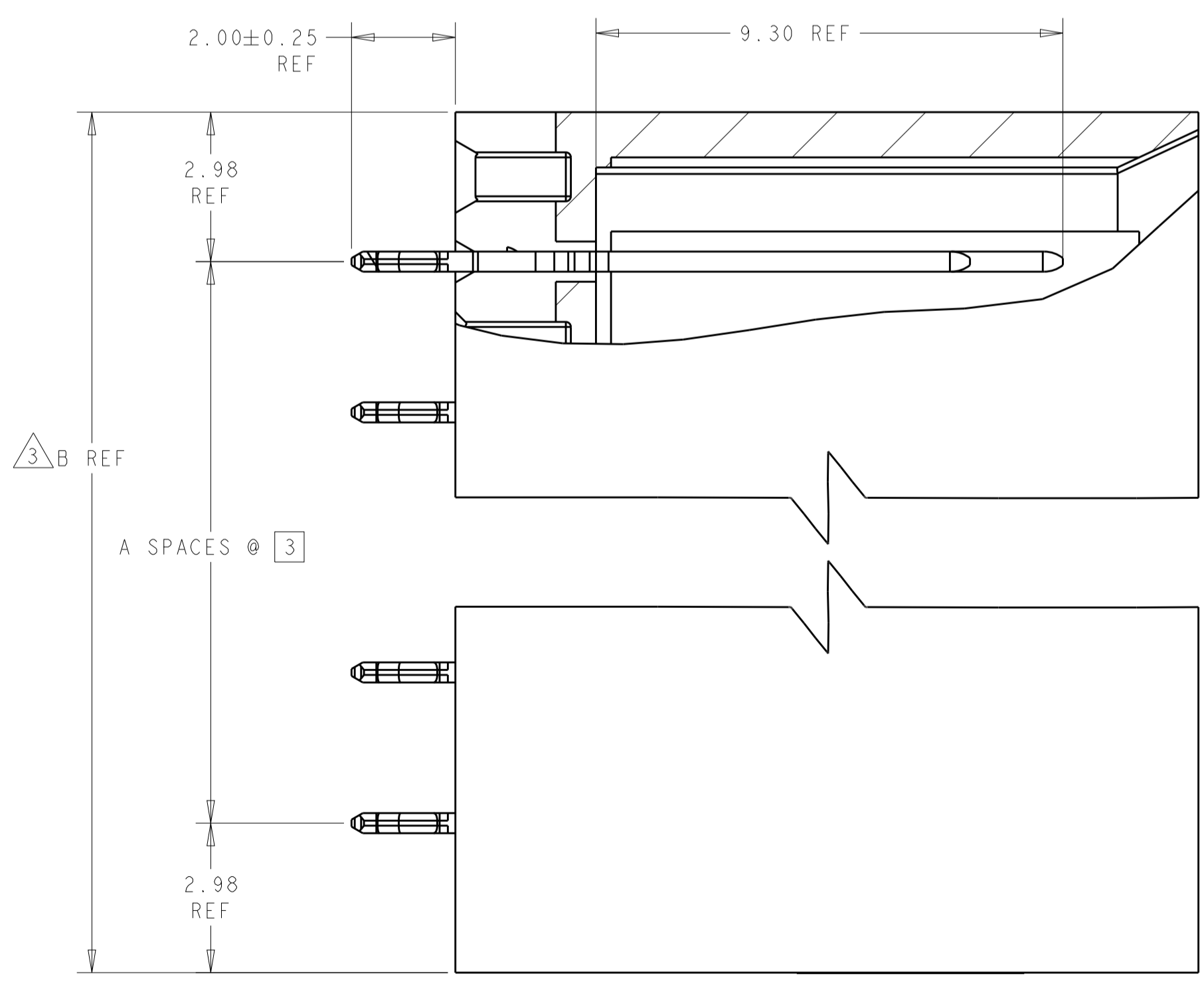
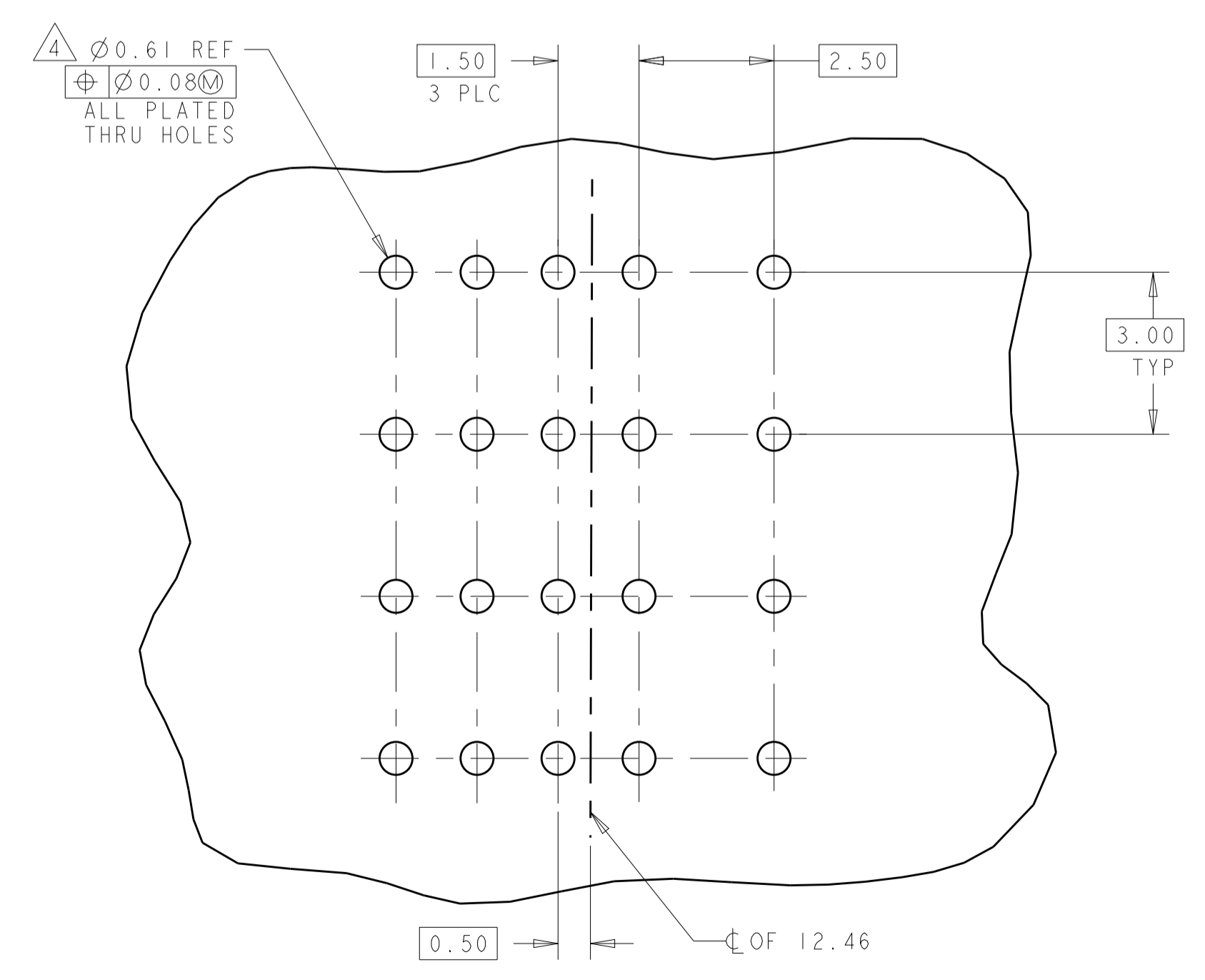
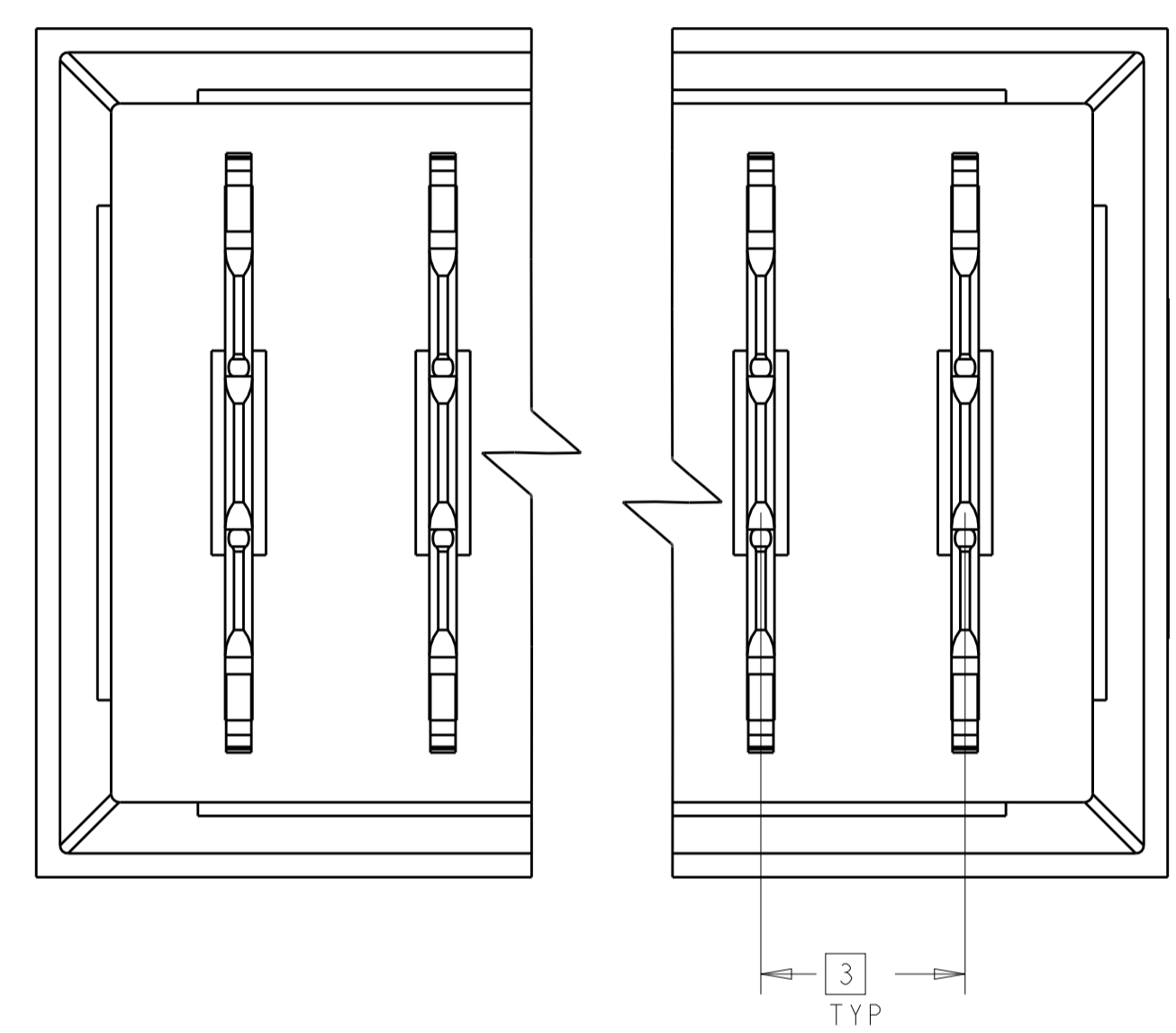
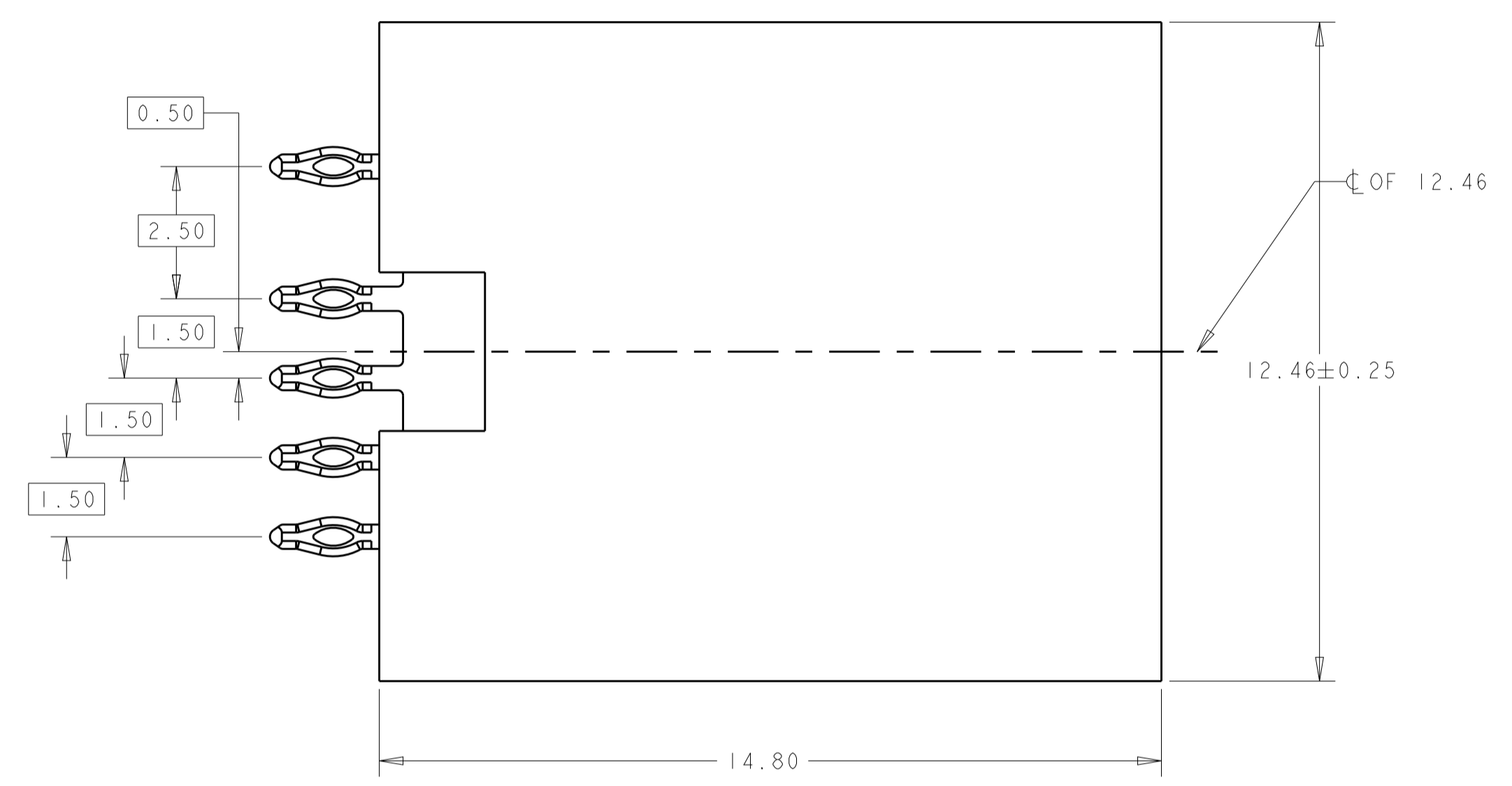


LOC		DIST		REVISIONS			
AD	00	P	LTH	DESCRIPTION	DATE	DWN	APVD
		A		RELEASED PER ECO-10-012478	24JUNE2010	DH	DY
		B1		REV PER ECO-20-004668	21APR2020	ML	SZ

- 1 MATERIAL  
HOUSING: POLYESTER, COLOR, GRAY, UL 94V-0.  
CONTACT: PHOSPHOR BRONZE, HIGH CURRENT COPPER ALLOY.
- 2 FINISH  
IN ACCORDANCE WITH PRODUCT SPECIFICATION 108-1651,  
GOLD PLATING OR EQUIVALENT PLATING ON PRODUCT CONTACT MATING AREA,  
AND MATTE TIN PLATING ON COMPLIANT PIN AREA, ALL OVER MATTE NICKEL  
UNDERPLATED. DETAIL PLEASE REFER TO PRODUCT SPECIFICATION 108-1651.
- 3 TOLERANCE TO BE  $\pm 0.25$  BEFORE CONNECTOR IS APPLIED TO PC BOARD.
- 4 REFERENCE APPLICATION SPEC 114-1103 FOR  
RECOMMENDED PLATED THRU HOLE DIAMETER AND  
PLATING THICKNESS.
5. CURRENT RATING 16A/CONTACT PER PRODUCT SPEC 108-1651.



POSITION	B REF	A	PART NUMBER
9	29.95	8	1645498-7
8	26.95	7	1645498-6
7	23.95	6	1645498-5
6	20.95	5	1645498-4
5	17.95	4	1645498-3
4	14.95	3	1645498-2
3	11.95	2	1645498-1

<small>THIS DRAWING IS UNPUBLISHED. RELEASED FOR PUBLICATION. IT IS THE POLICY OF TYCO ELECTRONICS CORPORATION TO CONTINUE TO IMPROVE ITS PRODUCTS AND SERVICES. THEREFORE, THIS DRAWING IS SUBJECT TO CHANGE AND WITHOUT NOTICE, THE DESIGN AND SPECIFICATIONS MAY BE MODIFIED IN ANY MANNER WITHOUT NOTICE.</small>		DWN: B. CARBO 18NOV2008 CHK: G. GRIFFITH 18NOV2008 APVD: G. GRIFFITH 18NOV2008	Tyco Electronics Harrisburg, PA 17105-3608
DIMENSIONS: mm 	TOLERANCES UNLESS OTHERWISE SPECIFIED: 0 PLC ± 1 PLC ±0.13 2 PLC ± 3 PLC ± 4 PLC ± ANGLES ±	NAME: UPM VERTICAL HEADER CONNECTOR UNIVERSAL POWER MODULE 15MM STACK HEIGHT PRODUCT SPEC: 108-1651 APPLICATION SPEC: 114-1103 WEIGHT: - RESTRICTED CUSTOMER	SCALE: 10:1 SHEET: 1 OF 1 REV: B1