

| | | |
|-------------|--------------------|---------------|
| PART NUMBER | ENGINEERING NUMBER | FINISH LENGTH |
| 1300660041 | 1R3004A28A120G | 1.00' [0.3M] |

CABLE LENGTH TOLERANCES

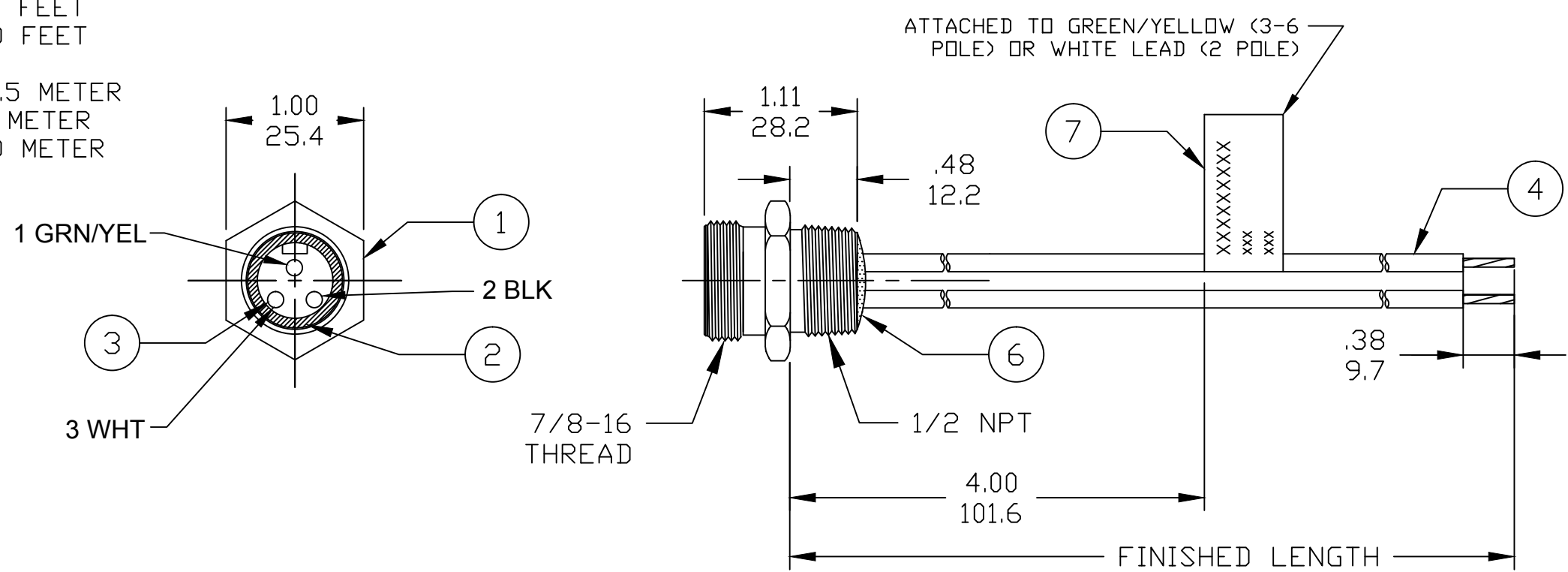
>.3M [1FT]: +19mm-0 [+ .75in-0]
 .3 - .9M [1 - 3FT]: +44.5mm-0 [+1.75in-0]
 .9 - 1.8M [3 - 6FT]: +55.6mm-0 [+2.19in-0]
 1.8 - 3.7M [6 - 12FT]: +88.9mm-0 [+3.50in-0]
 3.7 - 7.3M [12 - 24FT]: +165.1mm-0 [+6.50in-0]
 7.3-14.6M [24 - 48FT]: +317.5mm-0 [+12.50in-0]
 14.6 - 30.5M [48-100FT]: +622.3mm-0 [+24.50in-0]
 OVER 30M [100FT] +2% OF FINISHED LENGTH

PART NUMBER LEGEND

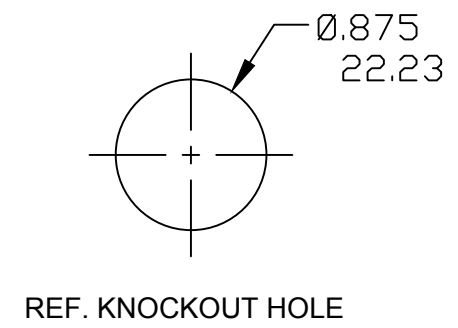
1R3004A28F020

FINISHED LENGTH:
 A120= 12 IN.
 F020= 2 FEET
 F100= 10 FEET

M005= 0.5 METER
 M010= 1 METER
 M100= 10 METER



- NOTES:**
1. MATERIAL: SEE TABLE
 2. FINISH: SEE TABLE
 3. ELECTRICAL:
 VOLTAGE: 3P 630V PER UL 2237
 CURRENT: 15A
 4. TEMP RATING: -20°TO +90°C
 5. PROTECTION: IP67 (WHEN MATED)
 6. UL LISTED FILE E258922
 7. ALL DIMS ARE FOR REFERENCE UNLESS NOTED OTHERWISE



| | | | |
|------|------------------------|----------------|---------------|
| 6 | FLAG LABEL | VINYL | BLACK/YELLOW |
| 5 | POTTING MATERIAL | EPOXY | |
| 4 | WIRE, 14 AWG UL (1015) | PVC INSULATION | SEE FACE VIEW |
| 3 | CONTACT SOCKET | COPPER ALLOY | GOLD PLATED |
| 2 | FEMALE INSERT | PVC | BLACK |
| 1 | RECEPTACLE SHELL | ZINC DIE-CAST | BLACK |
| ITEM | DESCRIPTION | MATERIAL | FINISH |

| | | | | | | | | | | | |
|--|--------------------|--|--|---|--|---|--------------------------------------|--------------------------------------|----------------------------|--|--|
| UL 1015 WAS THHN EC NO: IPG2019-0320 DRWN: JCAPPOZZ 2019/01/25 CHKD: RSTONE 2019/01/25 APPR: BWOODMAN 2019/05/06 | DESCRIPTION REV | QUALITY SYMBOLS $\nabla=0$ $\sphericalangle=0$ | GENERAL TOLERANCES (UNLESS SPECIFIED) mm INCH 4 PLACES ±--- ±--- 3 PLACES ±--- ±.005 2 PLACES ±--- ±.010 1 PLACE ±--- ±--- ANGULAR ±---° | DIMENSION STYLE INCH/MM DRAWN BY DATE JCAPPOZZ 2019/01/25 CHECKED BY DATE RSTONE 2019/01/25 APPROVED BY DATE BWOODMAN 2019/05/06 | SCALE NTS DESIGN UNITS INCH THIRD ANGLE PROJECTION | TITLE MINI-CHANGE RECEPTACLE 2-6P FEMALE #14-1 PVC WIRES | MATERIAL NO. SEE P/N CHART | DOCUMENT NO. SD-130013-124 | SHEET NO. 1 OF 1 | | |
| | | DRAFT WHERE APPLICABLE MUST REMAIN WITHIN DIMENSIONS | | | SIZE B | THIS DRAWING CONTAINS INFORMATION THAT IS PROPRIETARY TO MOLEX INCORPORATED AND SHOULD NOT BE USED WITHOUT WRITTEN PERMISSION | | | | | |
| | | MOLEX INCORPORATED | | | | | | | | | |
| | | Molex logo | | | | | | | | | |