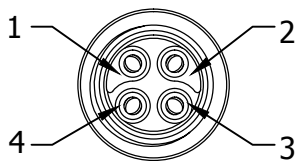
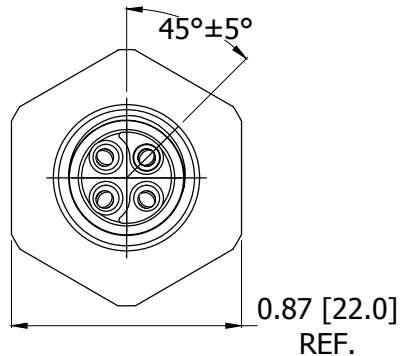


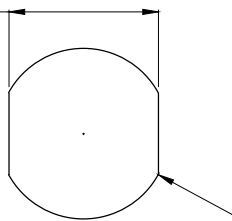
FEMALE FACE VIEW



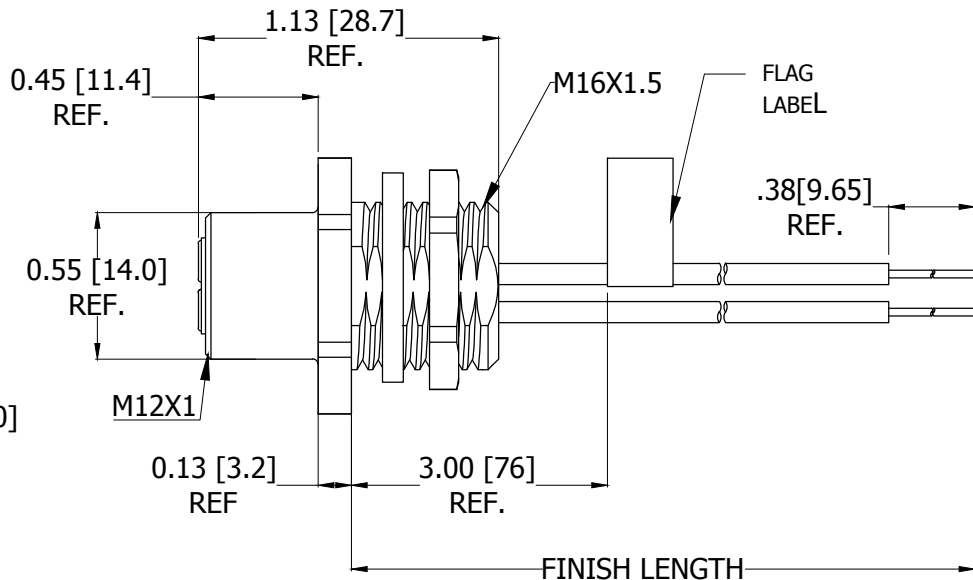
- 1 GRAY
- 2 BROWN
- 3 BLUE
- 4 BLACK



0.56±0.004 [14.3±0.10]



TYPICAL KNOCKOUT



MECHANICAL
 CONTACT: GOLD/NICKEL OVER COPPER ALLOY
 INSERT: BLACK NYLON
 O-RING: VITON
 RECEPTACLE SHELL: NICKEL PLATED BRASS
 GASKET: BLACK NITRILE
 LOCK NUT: NICKEL PLATED BRASS
 WIRE: 14 AWG CONDUCTORS, PPE

EWIRE MARKING: xxxxx ECDWIRE TM 14 AWG Exxxxxx
 RU AWM 11028 105C 600V VW-1 ---
 CRU AWM I A/B 105C 600V FT1 CE ROHS

© FRP4U30F01M0103

Wire type
14/1C AWG PPE

Wire length
 M005 = 0.5 Meter
 M010 = 1 Meter
 M100 = 10 Meter

ELECTRICAL
 VOLTAGE RATING: 300V AC/DC
 AMPERAGE: 16A

ENVIRONMENTAL
 PROTECTION: IP67

OPERATING TEMP: -20°C TO 105°C

UPDATE MATRIX NUMBER EC NO: IPG2017-0883 DRWN: MZELINS 2017/03/20 CHKD: TWOLDEGE 2017/03/22 APPR: BWOODMAN2013/12/17 REV: D	QUALITY SYMBOL ▽=0 ▽=0	GENERAL TOLERANCES (UNLESS SPECIFIED) mm INCH 4 PLACES ±.13 ±.005 3 PLACES ±.13 ±.010 2 PLACES ±.25 ±.020 1 PLACE ±.25 ±.020 ANGULAR ±.5° DRAFT WHERE APPLICABLE MUST REMAIN WITHIN DIMENSIONS	DIMENSION STYLE INCH/MM DRAWN BY DATE TWOLDEGE 2013/06/18 CHECKED BY DATE BRUPERT APPROVED BY DATE BWOODMAN 2013/12/17 MATERIAL NO.	SCALE 4:1 DESIGN UNITS INCH THIRD ANGLE PROJECTION	TITLE M12-POWER ASSEMBLY 4-POLE FEMALE M16X1.5 14/1C AWG PPE WIRE LEADS MOLEX INCORPORATED DOCUMENT NO. SD-120502-003 SHEET NO. 1 OF 1
	THIS DRAWING CONTAINS INFORMATION THAT IS PROPRIETARY TO MOLEX INCORPORATED AND SHOULD NOT BE USED WITHOUT WRITTEN PERMISSION				
	SIZE C				
	FINISH LENGTH				