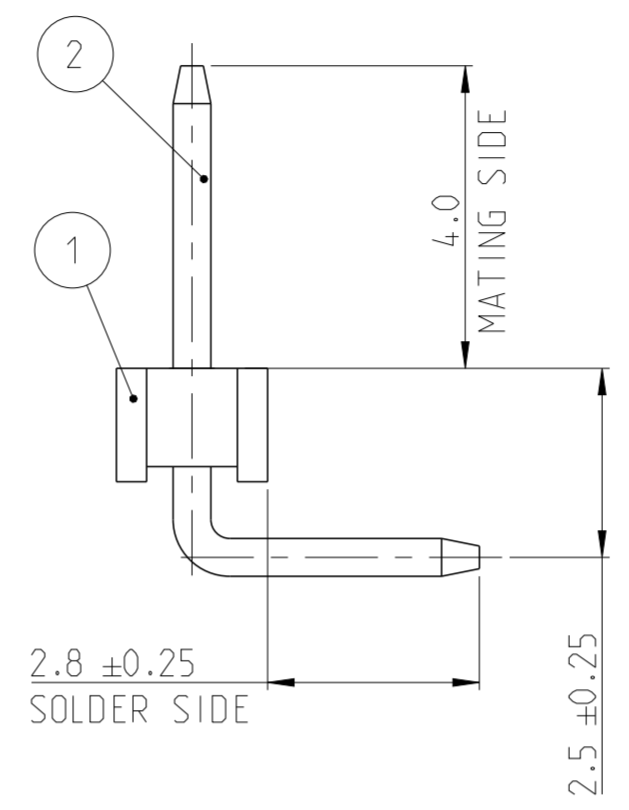
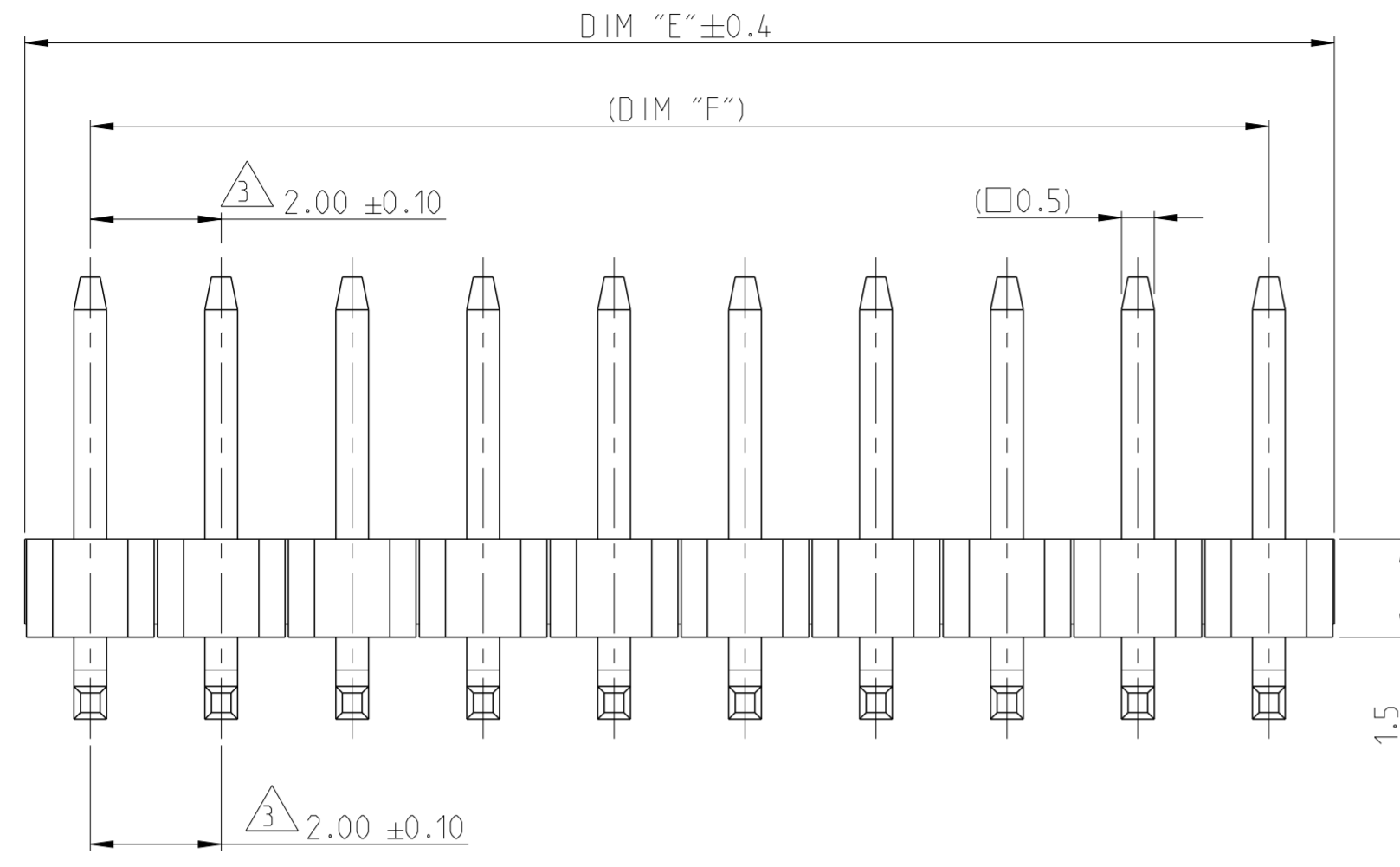
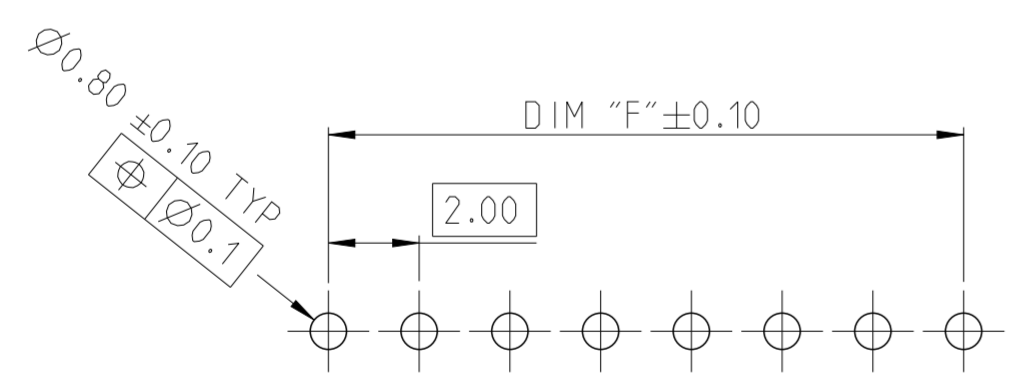
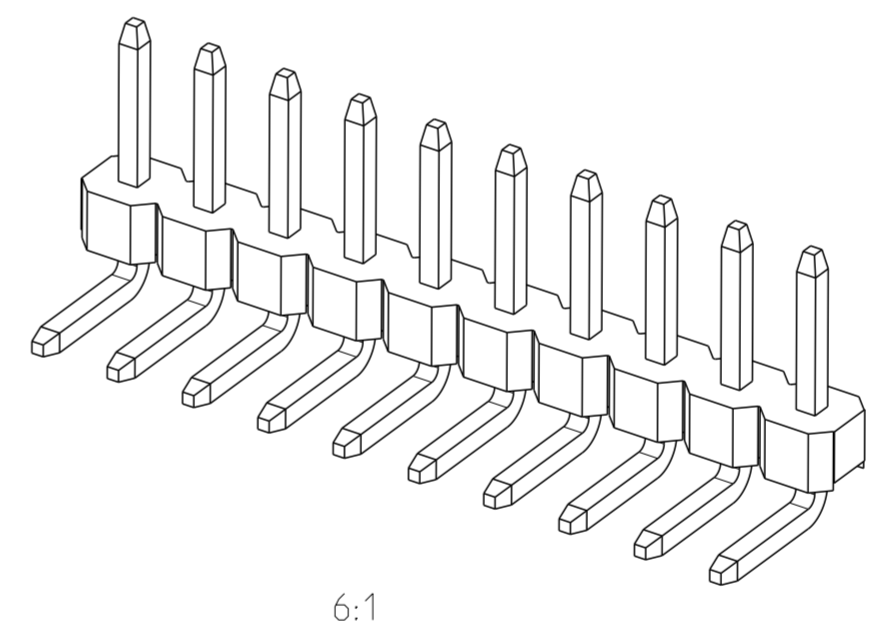
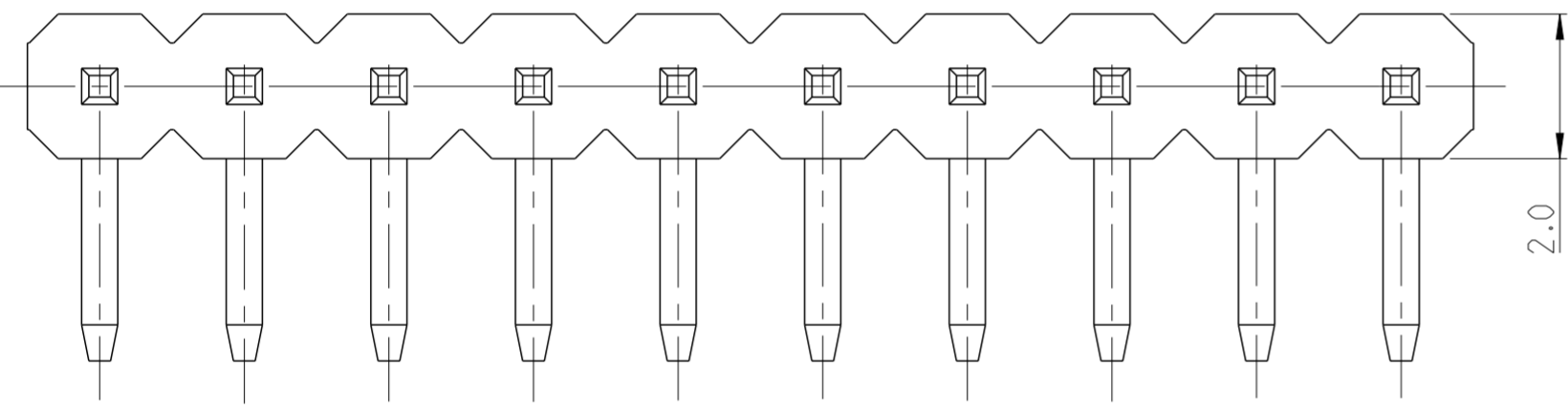


P	LTR	DESCRIPTION	DATE	DWN	APVD
A		RELEASE TO PRODUCTION	27AUG2019	AY	PS
A1		REMOVED TOLERANCE FROM DIM F	17DEC2019	AY	PS

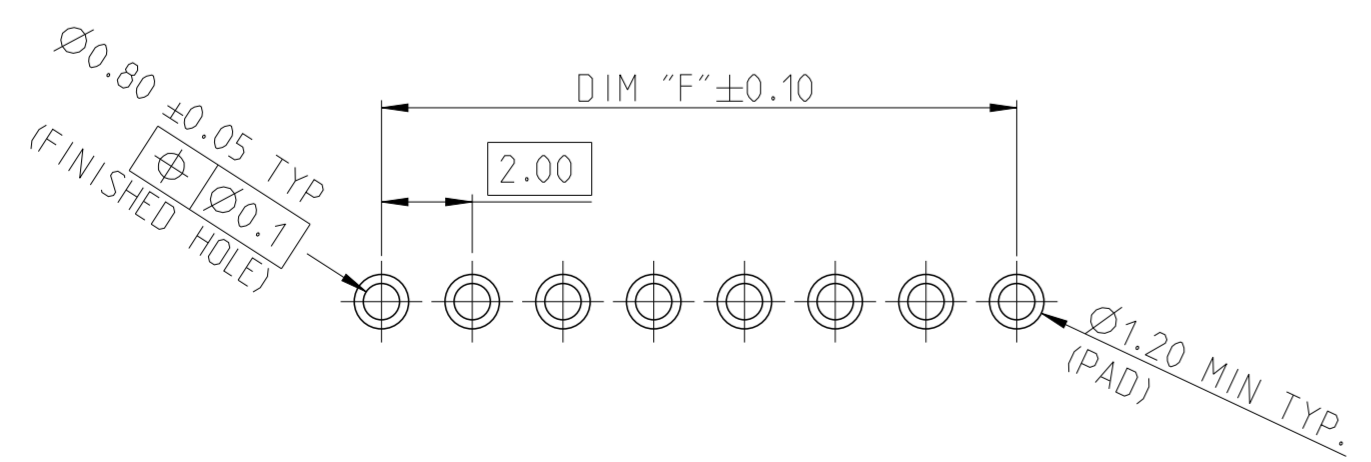


- NOTES:
- MATERIAL  
HOUSING : HIGH TEMPERATURE THERMOPLASTIC, UL94-V0; COLOR- BLACK  
CONTACT PIN : COPPER ALLOY  
FINISH :  
MATING SIDE: MIN. 0.1 μm GOLD OVER NICKEL UNDER PLATING.  
SOLDER SIDE: MIN. 2.0 μm BRIGHT TIN OVER NICKEL UNDER PLATING.
  - PACKAGING: BULK PACK.
  - TOLERANCE NOT CUMULATIVE.
  - CUTTING BURR MAX. 0.25 mm.



RECOMMENDED PCB HOLE PATTERN FOR THROUGH HOLE WAVE

1-2842122-0 AS SHOWN



RECOMMENDED PCB HOLE PATTERN FOR THROUGH HOLE REFLOW /PIN-IN-PASTE

DIM "F"	DIM "E"	POS	TE PN
48.0	50.0	25	2-2842122-5
46.0	48.0	24	2-2842122-4
44.0	46.0	23	2-2842122-3
42.0	44.0	22	2-2842122-2
40.0	42.0	21	2-2842122-1
38.0	40.0	20	2-2842122-0
36.0	38.0	19	1-2842122-9
34.0	36.0	18	1-2842122-8
32.0	34.0	17	1-2842122-7
30.0	32.0	16	1-2842122-6
28.0	30.0	15	1-2842122-5
26.0	28.0	14	1-2842122-4
24.0	26.0	13	1-2842122-3
22.0	24.0	12	1-2842122-2
20.0	22.0	11	1-2842122-1
18.0	20.0	10	1-2842122-0
16.0	18.0	9	2842122-9
14.0	16.0	8	2842122-8
12.0	14.0	7	2842122-7
10.0	12.0	6	2842122-6
8.0	10.0	5	2842122-5
6.0	8.0	4	2842122-4
4.0	6.0	3	2842122-3
2.0	4.0	2	2842122-2

THIS DRAWING IS A CONTROLLED DOCUMENT.

DIMENSIONS: mm	TOLERANCES UNLESS OTHERWISE SPECIFIED:	DWN ANKIT YADAV 01AUG2019	TE Connectivity
0 PLC ±	1 PLC ±0.2	CHK KARTHIK JK 14AUG2019	
2 PLC ±0.15	3 PLC ±	APVD PRASHANTH S 16AUG2019	NAME AMPMODU 2mm BREAKAWAY HEADER, SINGLE ROW, RIGHT ANGLE, 0.1 Au, BULK
4 PLC ±	ANGLES ±°	PRODUCT SPEC 108-64040	SIZE A2
FINISH -	-	APPLICATION SPEC 114-32259	CAGE CODE 00779
MATERIAL SEE NOTES	-	WEIGHT -	DRAWING NO C-2842122
DESCRIPTION ITEM NO.	-	CUSTOMER DRAWING	RESTRICTED TO -
		SCALE 5:1	SHEET 1 OF 1
			REV A1