



Product Discontinuation Notification

PDN-21-8 – Mini Size Snap-Acting with or without mounting post,
ZMSL (Low Travel Version)



Document revision

Revision	Date	Description	Author
A	14 April 2021	Creation	Jean Carlo Contreras / Jeffrey Phan



Summary


1.	Purpose	4
2.	Discontinuation details.....	4
2.1	Part numbers affected	4
2.2	Possible replacement	4
2.3	Reason for discontinuation	4
3.	Date of application.....	4
4.	Acknowledgement	4
5.	Support	5
6.	Annex.....	5
6.1	Catalogue – build a switch image.....	5
6.2	ZMSL switch characteristics affected:	6
6.3	Full of list of PNs affected:.....	6

1. Purpose

This document describes the discontinuation of all part numbers related to the L (Low Travel) version of the mini size Snap-acting Switch ZMS Series.

2. Discontinuation details

2.1 Part numbers affected

P/N	Description
ZMSL00130P00JLC ZMSL00130P00JSC ZMSL00130P00JSY ZMSL00130P00KL ZMSL00130P00KSY ZMSL00130P00LLC ZMSL00130P00PSC ZMSL00130P00RRC ... See full list of PNs in the annex Section 6 below	<p>From the Build-A-Switch: All the ZMS<u>L</u> will be discontinued. The <u>L</u> refers to the low travel (overtravel)</p> <p>Note: If the Part Number happens not to be listed on this left column, just bear in mind as long as there is a letter <u>L</u> that falls under the 4th character text will be affected.</p> 

2.2 Possible replacement

It is recommended that all the switches with the ZMSL... will be replaced with the ZMSH. The H refers to the High Travel Version.

2.3 Reason for discontinuation

Reduction in customer demand for the Low Travel version means it's no longer cost effective to produce this part.

3. Date of application

- Last Time Buy: Not Applicable
- Last Delivery: Not Applicable
- Date of Discontinuation: Immediate and can be replaced by ZMSH

4. Acknowledgement

We kindly ask you to acknowledge this information to all relevant parties.

5. Support

For any question & concerns, please feel free to contact directly:

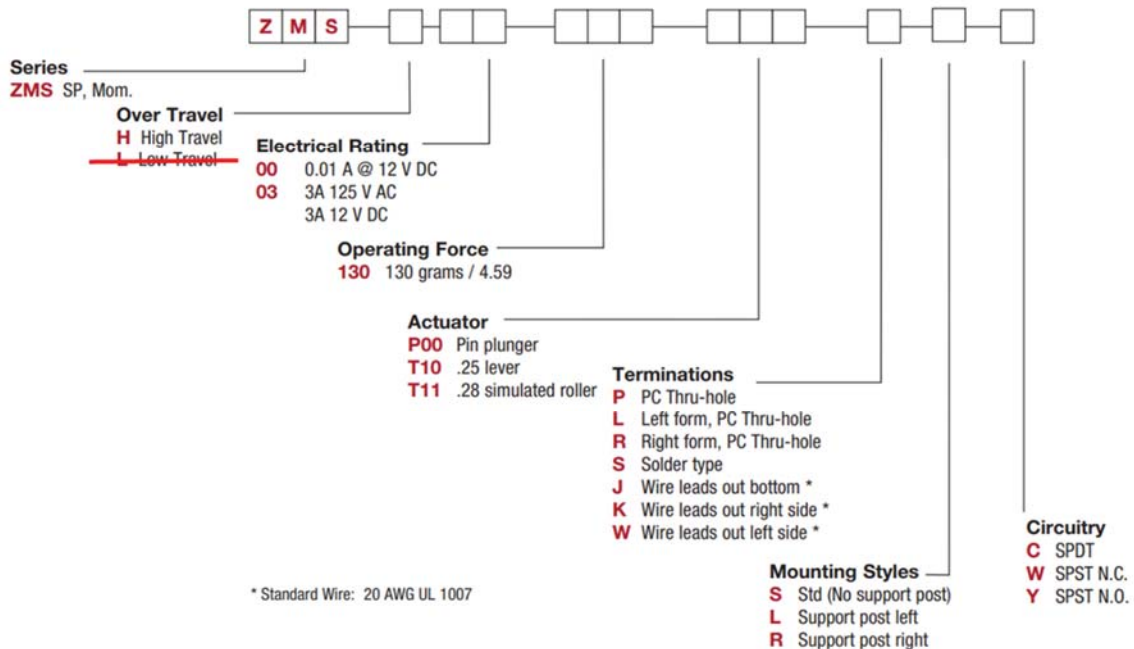
Jeffrey Phan
 Manager, Global Product Management
 Office Location: Hong Kong
 +852-3713-5228
 +852-9811-6523 (M)
jeffrey.phan@ckswitches.com

6. Annex

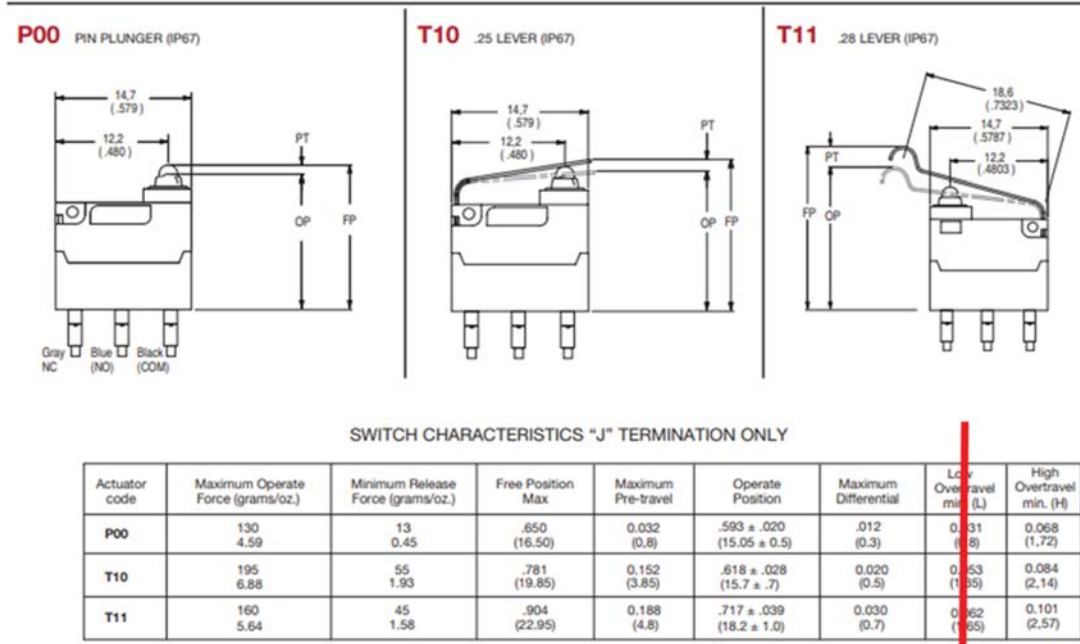
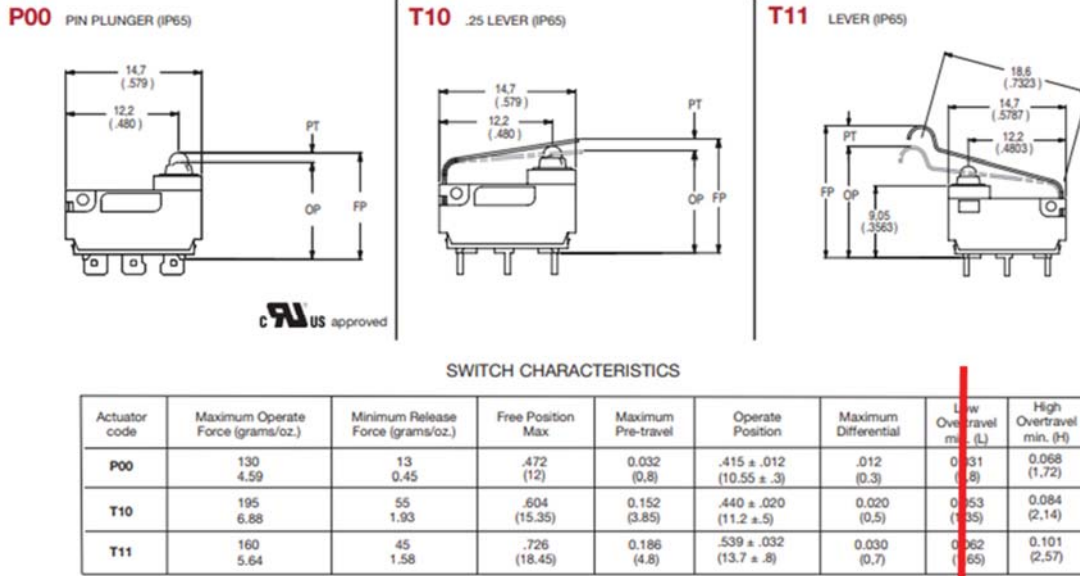
6.1 Catalogue – build a switch image

Build-A-Switch

To order, simply select desired option from each category and place in the appropriate box. For additional options not shown in catalog, consult Customer Service Center.



6.2 ZMSL switch characteristics affected:



6.3 Full of list of PNs affected:

Item	Description
ZMSL00130P00JLC	SWITCH ZMS SNAP ACT PLNGR LEFT
ZMSL00130P00JSC	SWITCH ZMS SNAPACT PLNGR WIRE
ZMSL00130P00JSY	SWITCH ZMS SNAPACT PLNGR WIRE
ZMSL00130P00KL	SWITCH ZMS SNAP ACT PLNGR WIRE
ZMSL00130P00KSY	SWITCH ZMS SNAP ACT PLNGR WIRE
ZMSL00130P00LLC	SWITCH ZMS SNAPACT PLNGR LEFT



ZMSL00130P00PSC	SWITCH ZMS SNAPACT PLNGR PC
ZMSL00130P00RRC	SWITCH ZMS SNAPACT PLNGR RIGHT
ZMSL00130P00SSC	SWITCH ZMS SNAPACT PLNGR LUG
ZMSL00130P00WL	SWITCH ZMS SNAP ACT PLNGR WIRE
ZMSL00130P00WS	SWITCH ZMS SNAP ACT PLNGR WIRE
ZMSL00130T10JSC	SWITCH ZMS SNAPACT LEVER WIRE
ZMSL00130T10KSY	SWITCH ZMS SNAPACTLEVER WIRE
ZMSL00130T10LLC	SWITCH ZMS SNAPACT LEVER LEFT
ZMSL00130T10LLY	SWITCH ZMS SNAPACT LEVER LEFT
ZMSL00130T10PSC	SWITCH ZMS SNAPACT LEVER PC
ZMSL00130T10PS	SWITCH ZMS SNAPACT LEVER PC NC
ZMSL00130T10RRC	SWITCH ZMS SNAPACT LEVER RIGHT
ZMSL00130T10SSC	SWITCH ZMS SNAPACT LEVER LUG
ZMSL00130T11JSC	SWITCH ZMS SNAPACT SIMRL WIRE
ZMSL00130T11LLC	SWITCH ZMS SNAPACT SIMRL LEFT
ZMSL00130T11LLY	SWITCH ZMS SNAPACT SIMRL LEFT
ZMSL00130T11PSC	SWITCH ZMS SNAPACT SIMRL PC
ZMSL00130T11RRC	SWITCH ZMS SNAPACT SIMRL RIGHT
ZMSL00130T11SSC	SWITCH ZMS SNAPACT SIMRL LUG
ZMSL00130T11SS	SWITCH ZMS SNAPACT SMRL LUG NC
ZMSL03130P00JSC	SWITCH ZMS SNAPACT PLNGR WIRE
ZMSL03130P00LLC	SWITCH ZMS SNAPACT PLNGR LEFT
ZMSL03130P00PSC	SWITCH ZMS SNAPACT PLNGR PC
ZMSL03130P00PS	SWITCH ZMS SNAPACT PLNGR NC
ZMSL03130P00RRC	SWITCH ZMS SNAPACT PLNGR RIGHT
ZMSL03130P00SSC	SWITCH ZMS SNAPACT PLNGR LUG
ZMSL03130T10JSC	SWITCH ZMS SNAPACT LEVER WIRE
ZMSL03130T10LLC	SWITCH ZMS SNAPACT LEVER LEFT
ZMSL03130T10PSC	SWITCH ZMS SNAPACT LEVER PC
ZMSL03130T10RRC	SWITCH ZMS SNAPACT LEVER RIGHT
ZMSL03130T10SSC	SWITCH ZMS SNAPACT LEVER LUG
ZMSL03130T10WRY	SWITCH ZMS SNAPACT LEVER WIRE
ZMSL03130T11JSC	SWITCH ZMS SNAPACT SIMRL WIRE
ZMSL03130T11LLC	SWITCH ZMS SNAPACT SIMRL LEFT
ZMSL03130T11PSC	SWITCH ZMS SNAPACT SIMRL PC
ZMSL03130T11PS	SWITCH ZMS SNAPACT SIMRL PC NC
ZMSL03130T11RRC	SWITCH ZMS SNAPACT SIMRL RIGHT
ZMSL03130T11SSC	SWITCH ZMS SNAPACT SIMRL LUG