

XCRF57

Limit switch, Limit switches XC Standard, XCR, metal stay put T rods lever square rod 6 mm, 2X(1NC+NO)



Main

| | |
|---|---|
| Range of Product | OsiSense XC |
| Series name | Special format |
| Product or Component Type | Limit switch |
| Product Specific Application | For hoisting and mechanical handling applications |
| Device short name | XCR |
| Sensor design | - |
| Body type | Fixed |
| Head type | Rotary head |
| Material | Metal |
| Fixing Mode | By the body |
| Movement of operating head | Rotary |
| Type of operator | Stay put crossed rods lever metal square rod 6 mm |
| Type of approach | Lateral approach, 2 directions |
| Electrical connection | Screw-clamp terminals 1 x 0.5...2 x 2.5 mm ² |
| Number of poles | 4 |
| Contacts type and composition | 2 x (1 NC + 1 NO) |
| Contact operation | Slow-break, break before make |
| Contact block per direction [control circuit] | 1 per direction |
| Positive opening | With |

Complementary

| | |
|--|---|
| Body Material | Zinc alloy |
| Switch actuation | By any moving part |
| Cable entry | 1 entry tapped for Pg 13.5 cable gland 0.35...0.47 in (9...12 mm) NF C 68-300 |
| Contacts insulation form | Zb |
| Number of steps | 1 |
| Positive opening minimum torque | 6.20 lbf.in (0.7 N.m) |
| Minimum torque for tripping | 5.31 lbf.in (0.6 N.m) |
| Minimum actuation speed | 6 m/min |
| Maximum actuation speed | 4.92 ft/s (1.5 m/s) |
| Maximum displacement angle | 90 ° -90 ° |
| Contact code designation | A300, AC-15 (Ue = 240 V), Ie = 3 A EN/IEC 60947-5-1 appendix A Q300, DC-13 (Ue = 250 V), Ie = 0.27 A EN/IEC 60947-5-1 appendix A |
| [Ui] rated insulation voltage | 300 VUL 508 500 V 3)IEC 60947-1 500 V 3)VDE 0110 300 VCSA C22.2 No 14 |
| Maximum resistance across terminals | 25 MOhm IEC 60255-7 category 3 |
| [Uimp] rated impulse withstand voltage | 6 kV IEC 60664 6 kV IEC 60947-1 |
| Short-circuit protection | 10 A cartridge fuse gG |

The information provided in this documentation contains general descriptions and/or technical characteristics of the performance of the products contained herein. This documentation is not intended as a substitute for and is not to be used for determining suitability or reliability of these products for specific user applications. It is the duty of any such user or integrator to perform the appropriate and complete risk analysis, evaluation and testing of the products with respect to the relevant specific application or use thereof. Neither Schneider Electric Industries SAS nor any of its affiliates or subsidiaries shall be responsible or liable for misuse of the information contained herein.

| | |
|-------------------------------|--|
| Electrical durability | 5000000 Cycles, DC-13, inductive, 120 V, 4 W 60 cyc/mn 0.5 IEC 60947-5-1 appendix C 5000000 Cycles, DC-13, inductive, 24 V, 7 W 60 cyc/mn 0.5 IEC 60947-5-1 appendix C 5000000 cycles, DC-13, inductive, 48 V, 10 W 60 cyc/mn 0.5 IEC 60947-5-1 appendix C |
| Mechanical durability | 10000000 cycles |
| Width | 3.35 in (85 mm) |
| Height | 3.74 in (95 mm) |
| Depth | 2.95 in (75 mm) |
| Net Weight | 2.50 lb(US) (1.135 kg) |
| Terminals description ISO n°1 | (21-22)NC (13-14)NO |

Environment

| | |
|---------------------------------------|--|
| Shock resistance | 68 gn IEC 60068-2-27 |
| Vibration resistance | 9 gn 10...500 Hz)IEC 60068-2-6 |
| IP degree of protection | IP54 conforming to IEC 60529 |
| Overvoltage category | Class I IEC 61140 Class I NF C 20-030 |
| Ambient Air Temperature for Operation | -13...158 °F (-25...70 °C) |
| Ambient Air Temperature for Storage | -40...158 °F (-40...70 °C) |
| Protective treatment | TC |
| Product Certifications | CSA CCC |
| Standards | EN 60947-5-1 IEC 60204-1 NF C 79-130 IEC 60947-5-1 CSA C22.2 No 14 EN 60204-1 |

Ordering and shipping details

| | |
|-----------------------|----------------------------------|
| Category | 22449-LIMIT SWITCHES,ACCESSORIES |
| Discount Schedule | T |
| GTIN | 3389110660951 |
| Nbr. of units in pkg. | 1 |
| Package weight(Lbs) | 2.49 lb(US) (1.128 kg) |
| Returnability | No |
| Country of origin | FR |

Packing Units

| | |
|------------------------------|---------------------------|
| Unit Type of Package 1 | PCE |
| Package 1 Height | 4.72 in (12 cm) |
| Package 1 width | 3.54 in (9 cm) |
| Package 1 Length | 12.40 in (31.5 cm) |
| Unit Type of Package 2 | S02 |
| Number of Units in Package 2 | 3 |
| Package 2 Weight | 8.56 lb(US) (3.881 kg) |
| Package 2 Height | 5.91 in (15 cm) |
| Package 2 width | 11.81 in (30 cm) |
| Package 2 Length | 15.75 in (40 cm) |
| Unit Type of Package 3 | P06 |
| Number of Units in Package 3 | 48 |
| Package 3 Weight | 155.64 lb(US) (70.596 kg) |
| Package 3 Height | 30.31 in (77 cm) |
| Package 3 width | 31.50 in (80 cm) |
| Package 3 Length | 23.62 in (60 cm) |

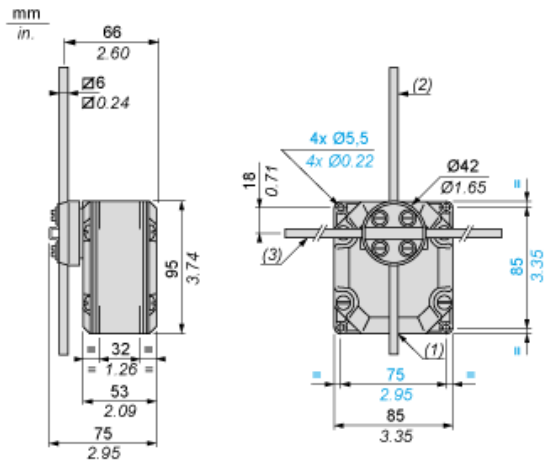
Offer Sustainability

| | |
|----------------------------|---|
| Sustainable offer status | Green Premium product |
| California proposition 65 | WARNING: This product can expose you to chemicals including: Diisononyl phthalate (DINP), which is known to the State of California to cause cancer, and Di-isodecyl phthalate (DIDP), which is known to the State of California to cause birth defects or other reproductive harm. For more information go to www.P65Warnings.ca.gov |
| REACH Regulation | REACH Declaration |
| EU RoHS Directive | Pro-active compliance (Product out of EU RoHS legal scope) EU RoHS Declaration |
| Mercury free | Yes |
| RoHS exemption information | Yes |
| Environmental Disclosure | Product Environmental Profile |

Contractual warranty

| | |
|----------|-----------|
| Warranty | 18 months |
|----------|-----------|

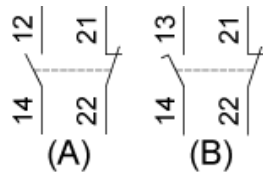
Dimensions



- (1) 1 tapped entry for n° 13 cable gland.
- (2) Rod length: 200 mm.
- (3) Rod length: 300 mm.

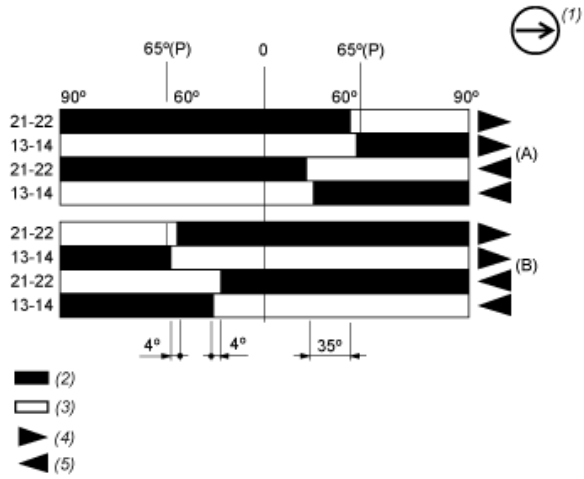
Wiring Diagram

Two 2-pole NC + NO Break Before Make, Slow Break



- (A) 1st contact
- (B) 2nd contact

Functionnal Diagram



- (P) Positive opening point
- (A) 1st contact
- (B) 2nd contact
- (1) NC contact with positive opening operation
- (2) Closed
- (3) Open
- (4) Tripping
- (5) Resetting