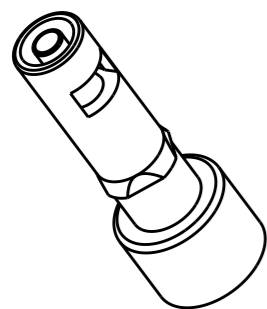


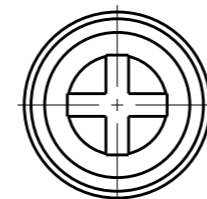
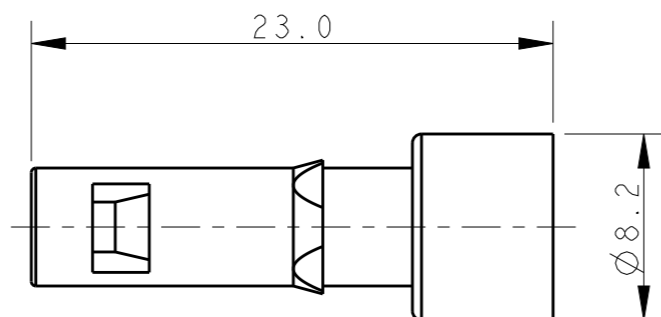
REVISIONS

P	LTR	DESCRIPTION	DATE	DWN	APVD
	A	INITIAL	10MAR2017	RL	CW

T2090012201-001 Pneu-c-Fw1.6



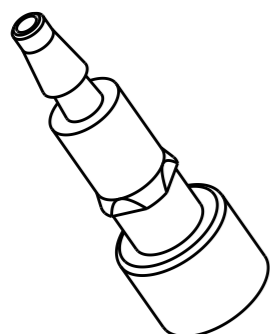
SCALE 2:1



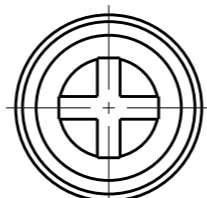
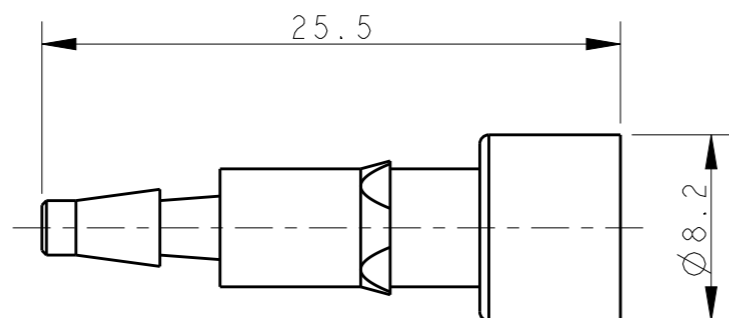
NOTES:

- MATERIAL: PC;
SEALING MATERIAL: RUBBER
- TUBE ID:
- 1.6 / 3.0 / 4.0mm
(MATED WITH T2111032301-000 HMN-PA3)
- 6.0mm (MATED WITH T2111022301-000 HMN-PA2)

T2090012201-002 Pneu-c-Fw3.0



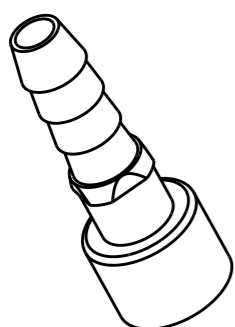
SCALE 2:1



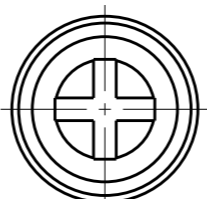
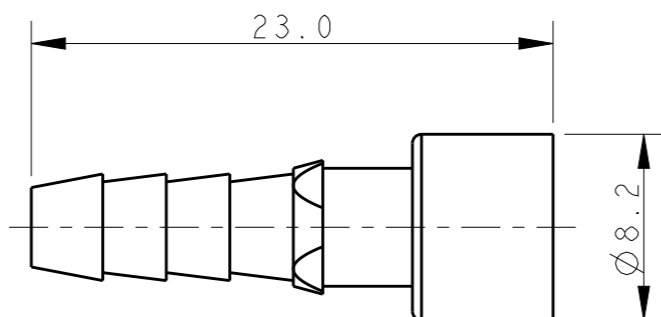
注释:

- 材料: PC;
密封材料: 橡胶
- 导管内径:
- 1.6 / 3.0 / 4.0mm
(与T2111032301-000 HMN-PA3配合)
- 6.0mm (与T2111022301-000 HMN-PA2配合)

T2090012201-003 Pneu-c-Fw4.0



SCALE 2:1



T2090012201-001	Pneu-c-Fw1.6	Pneu-c Ø1.6 SOCKET CONTACT, WITH SHUT OFF Pneu-c Ø1.6母针, 带封闭气阀	1.6
T2090012201-002	Pneu-c-Fw3.0	Pneu-c Ø3.0 SOCKET CONTACT, WITH SHUT OFF Pneu-c Ø3.0母针, 带封闭气阀	3.0
T2090012201-003	Pneu-c-Fw4.0	Pneu-c Ø4.0 SOCKET CONTACT, WITH SHUT OFF Pneu-c Ø4.0母针, 带封闭气阀	4.0
PART NUMBER 料号		PART DESCRIPTION 描述	TUBE ID 导管内径(Ø/mm)

THIS DRAWING IS A CONTROLLED DOCUMENT.

DIMENSIONS:		TOLERANCES UNLESS OTHERWISE SPECIFIED:	
mm			
		0 PLC	±-
		1 PLC	±-
		2 PLC	±-
		3 PLC	±-
		4 PLC	±-
		ANGLES	±-
MATERIAL		FINISH	
-		-	
-		-	

DWN	ROY LIU	10MAR2017
CHK	KYLE ZENG	10MAR2017
APVD	CHRIS WANG	10MAR2017
PRODUCT SPEC		
-		
APPLICATION SPEC		
-		
WEIGHT		
-		
CUSTOMER DRAWING		

TE Connectivity			
NAME Pneu-c-FwXX			
SIZE	CAGE CODE	DRAWING NO	RESTRICTED TO
A3	-	©-T209001220100X	-
SCALE		SHEET	REV
3:1		1 OF 2	A

4

3

2

1

THIS DRAWING IS UNPUBLISHED.

RELEASED FOR PUBLICATION

20

© COPYRIGHT 20

BY -

ALL RIGHTS RESERVED.

REVISIONS

P	LTR	DESCRIPTION	DATE	DWN	APVD
		SEE SHEET 1			

T2090012201-004 Pneu-c-Fw6.0

SCALE 2:1

NOTES:
SEE SHEET 1

T2090012201-004	Pneu-c-Fw6.0	Pneu-c Ø6.0 SOCKET CONTACT WITH SHUT OFF Pneu-c Ø6.0母针, 带封闭气阀	6.0
PART NUMBER 料号	PART DESCRIPTION 描述		TUBE ID 导管内径(Ø/mm)

THIS DRAWING IS A CONTROLLED DOCUMENT.		DWN ROY LIU 10MAR2017		
DIMENSIONS: mm		CHK KYLE ZENG 10MAR2017		
TOLERANCES UNLESS OTHERWISE SPECIFIED:		APVD CHRIS WANG 10MAR2017	NAME Pneu-c-FwXX	
0 PLC ±-		PRODUCT SPEC	-	
1 PLC ±-		APPLICATION SPEC	-	
2 PLC ±-		WEIGHT	-	
3 PLC ±-		SIZE	A3	
4 PLC ±-		CAGE CODE	-	
ANGLES ±-		DRAWING NO	©-T209001220100X	
FINISH		RESTRICTED TO	-	
-		CUSTOMER DRAWING	SCALE	3:1
-		SHEET	2	OF 2
		REV	A	

1470-19 (3/13)