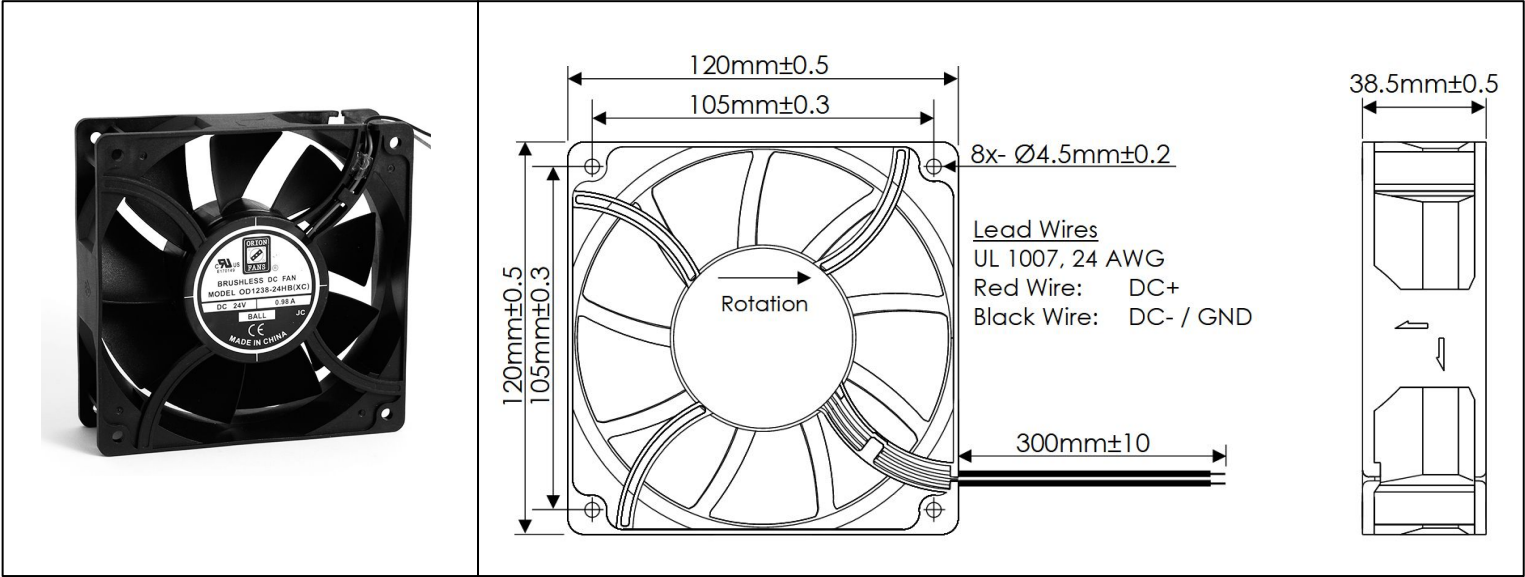


OD1238 XC Series



DC Fans - 12, 24, 48V
120mm x 120mm x 38.5mm (4.7" x 1.5")



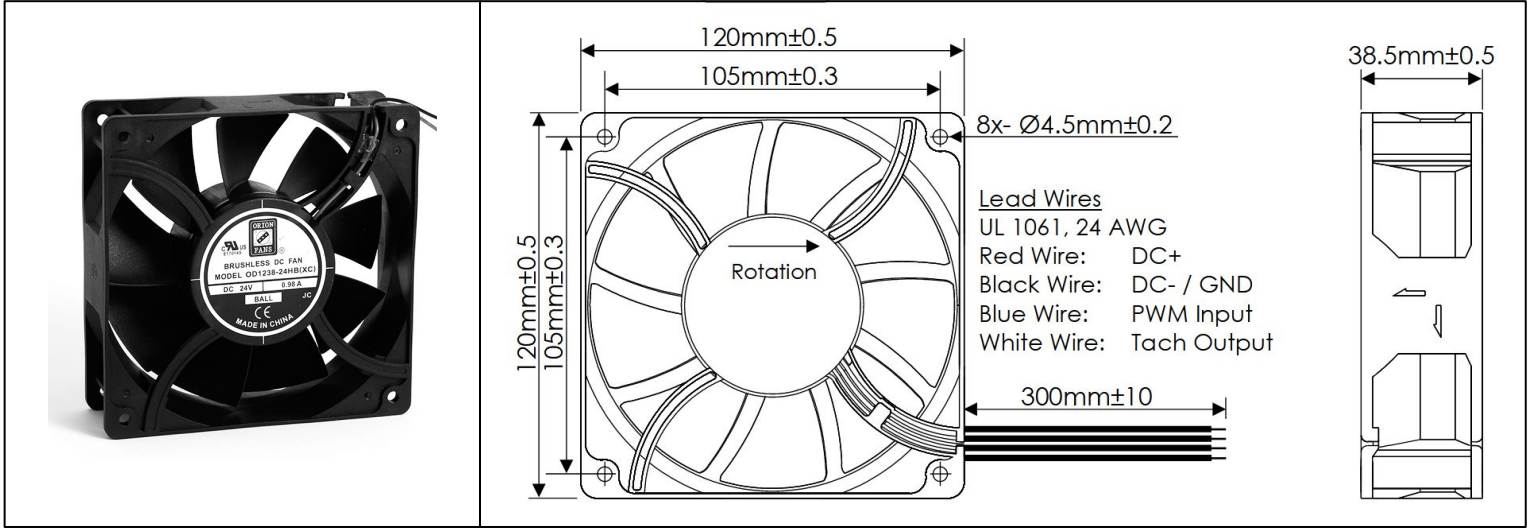
Frame	PBT, UL94 V-0 Plastic	Operating Temperature -10°C ~ +70°C Storage Temperature -40°C ~ +70°C Life Expectancy 70,000 Hours (L10 at 40°C) Available Options PWM & Temp Speed Control Tachometer Output Thermal Speed Control Alarm Output IP Ratings Weight: 0.74 lbs	
Impeller	PBT, UL94 V-0 Plastic		
Connection	2x Leads Wires, 24 AWG		
Motor	Brushless DC, Auto Cutoff, Auto Restart, Electronically Protected, Polarity Protected		
Bearing System	Ball Bearings		
Dielectric Strength	500VDC/min, <1mA		
Insulation Resistance	≥10M Ohm @ 500 VDC		

Part Number	Rated Voltage (Volts DC)	Voltage Range (Volts DC)	Input Power (Watts)	Rated Current (Amps)	Rated Speed (RPM)	Max Airflow (CFM)	Noise Level (dBA)	Max Static Pressure ("H ₂ O)
OD1238-12HBXC	12	10 ~ 13.8	23.40	1.95	4275	185	65.3	0.70
OD1238-12MBXC	12	10 ~ 13.8	18.10	1.50	3750	160	58.0	0.52
OD1238-12LBXC	12	10 ~ 13.8	10.50	0.87	3200	130	54.6	0.40
OD1238-24HBXC	24	16 ~ 26.4	19.30	0.98	4275	185	65.3	0.70
OD1238-24MBXC	24	16 ~ 26.4	16.40	0.68	3750	160	58.0	0.52
OD1238-24LBXC	24	16 ~ 26.4	10.10	0.42	3200	130	54.6	0.40
OD1238-48HBXC	48	30 ~ 52.0	25.00	0.52	4275	185	65.3	0.70
OD1238-48MBXC	48	30 ~ 52.0	17.30	0.36	3750	160	58.0	0.52
OD1238-48LBXC	48	30 ~ 52.0	10.60	0.22	3200	130	54.6	0.40

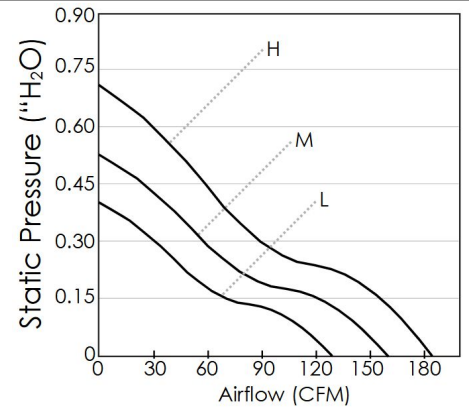
OD1238 XC Series with PWM and Tach



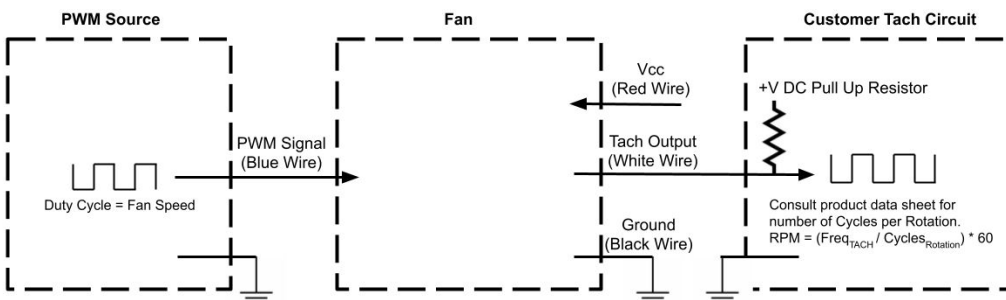
DC Fans - 12, 24, 48V
120mm x 120mm x 38.5mm (4.7" x 1.5")



Frame	PBT, UL94 V-0 Plastic	Operating Temperature -10°C ~ +70°C
Impeller	PBT, UL94 V-0 Plastic	
Connection	4x Leads Wires, 24 AWG	Storage Temperature -40°C ~ +70°C
Motor	Brushless DC, Auto Cutoff, Auto Restart, Electronically Protected, Polarity Protected	
Bearing System	Ball Bearings	Life Expectancy 70,000 Hours (L10 at 40°C)
Dielectric Strength	500VDC/min, <1mA	
Insulation Resistance	≥10M Ohm @ 500 VDC	Installed Options PWM Speed Control Input Open Collector Tach Output
		Weight: 0.74 lbs



Part Number	Rated Voltage (Volts DC)	Voltage Range (Volts DC)	Input Power (Watts)	Rated Current (Amps)	Rated Speed (RPM)	Max Airflow (CFM)	Noise Level (dBA)	Max Static Pressure ("H ₂ O)
OD1238-12HBXC10A	12	10 ~ 13.8	23.40	1.95	4275	185	65.3	0.70
OD1238-12MBXC10A	12	10 ~ 13.8	18.10	1.50	3750	160	58.0	0.52
OD1238-12LBXC10A	12	10 ~ 13.8	10.50	0.87	3200	130	54.6	0.40
OD1238-24HBXC10A	24	16 ~ 26.4	19.30	0.98	4275	185	65.3	0.70
OD1238-24MBXC10A	24	16 ~ 26.4	16.40	0.68	3750	160	58.0	0.52
OD1238-24LBXC10A	24	16 ~ 26.4	10.10	0.42	3200	130	54.6	0.40
OD1238-48HBXC10A	48	30 ~ 52.0	25.00	0.52	4275	185	65.3	0.70
OD1238-48MBXC10A	48	30 ~ 52.0	17.30	0.36	3750	160	58.0	0.52
OD1238-48LBXC10A	48	30 ~ 52.0	10.60	0.22	3200	130	54.6	0.40

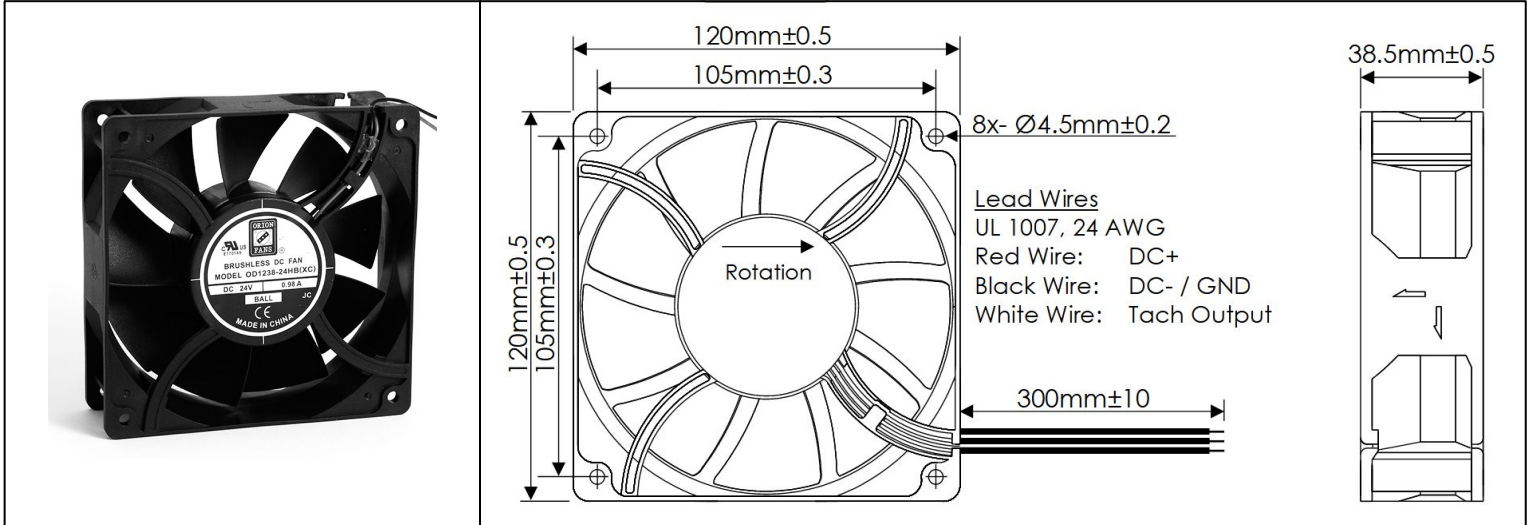


Tach Max Pullup Voltage: Fan Vcc
 Tach Max Sink Current: 5mA
 Tach Cycles per Rotation: 2
 PWM Maximum High Voltage: 5.5V
 PWM Max Sink Current: 5mA
 PWM Frequency Range: 18KHz-30KHz
 PWM Typical Frequency: 25KHz
 RPM at 0% Duty Cycle: 0 RPM
 RPM will be full speed if PWM input is disconnected.
 RPM will be 0 RPM if PWM input is grounded.

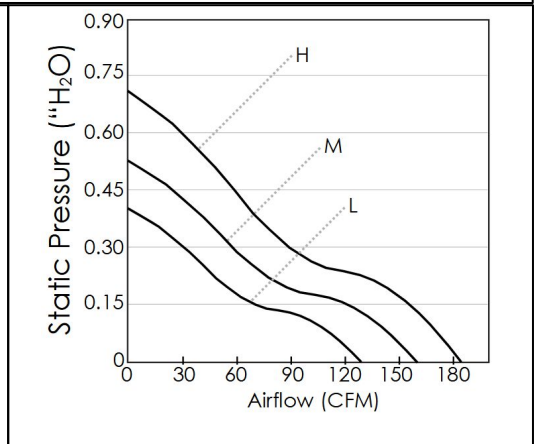
OD1238 XC Series with Tach



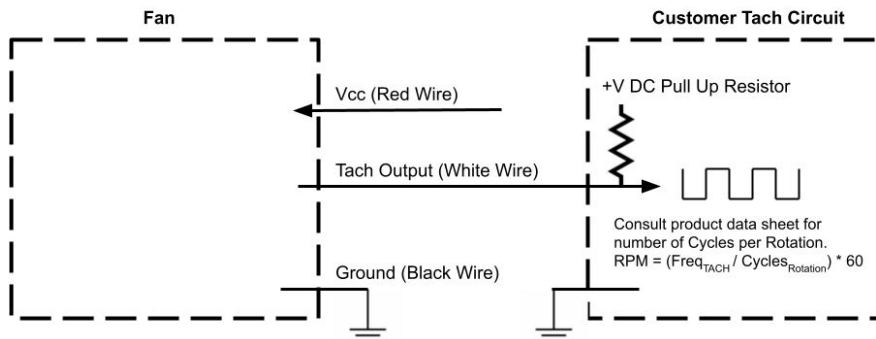
DC Fans - 12, 24, 48V
120mm x 120mm x 38.5mm (4.7" x 1.5")



Frame	PBT, UL94 V-0 Plastic	<u>Operating Temperature</u> -10°C ~ +70°C <u>Storage Temperature</u> -40°C ~ +70°C
Impeller	PBT, UL94 V-0 Plastic	
Connection	3x Leads Wires, 24 AWG	<u>Life Expectancy</u> 70,000 Hours (L10 at 40°C)
Motor	Brushless DC, Auto Cutoff, Auto Restart, Electronically Protected, Polarity Protected	
Bearing System	Ball Bearings	<u>Installed Options</u> Open Collector Tach Output
Dielectric Strength	500VDC/min, <1mA	<u>Available Options</u> 5V TTL Tach Output Weight: 0.74 lbs
Insulation Resistance	≥10M Ohm @ 500 VDC	



Part Number	Rated Voltage (Volts DC)	Voltage Range (Volts DC)	Input Power (Watts)	Rated Current (Amps)	Rated Speed (RPM)	Max Airflow (CFM)	Noise Level (dBA)	Max Static Pressure ("H ₂ O)
OD1238-12HBXC01A	12	10 ~ 13.8	23.40	1.95	4275	185	65.3	0.70
OD1238-12MBXC01A	12	10 ~ 13.8	18.10	1.50	3750	160	58.0	0.52
OD1238-12LBXC01A	12	10 ~ 13.8	10.50	0.87	3200	130	54.6	0.40
OD1238-24HBXC01A	24	16 ~ 26.4	19.30	0.98	4275	185	65.3	0.70
OD1238-24MBXC01A	24	16 ~ 26.4	16.40	0.68	3750	160	58.0	0.52
OD1238-24LBXC01A	24	16 ~ 26.4	10.10	0.42	3200	130	54.6	0.40
OD1238-48HBXC01A	48	30 ~ 52.0	25.00	0.52	4275	185	65.3	0.70
OD1238-48MBXC01A	48	30 ~ 52.0	17.30	0.36	3750	160	58.0	0.52
OD1238-48LBXC01A	48	30 ~ 52.0	10.60	0.22	3200	130	54.6	0.40



Tach Max Pullup Voltage: Fan Vcc
Tach Max Sink Current: 5mA
Tach Cycles per Rotation: 2