

Light is OSRAM

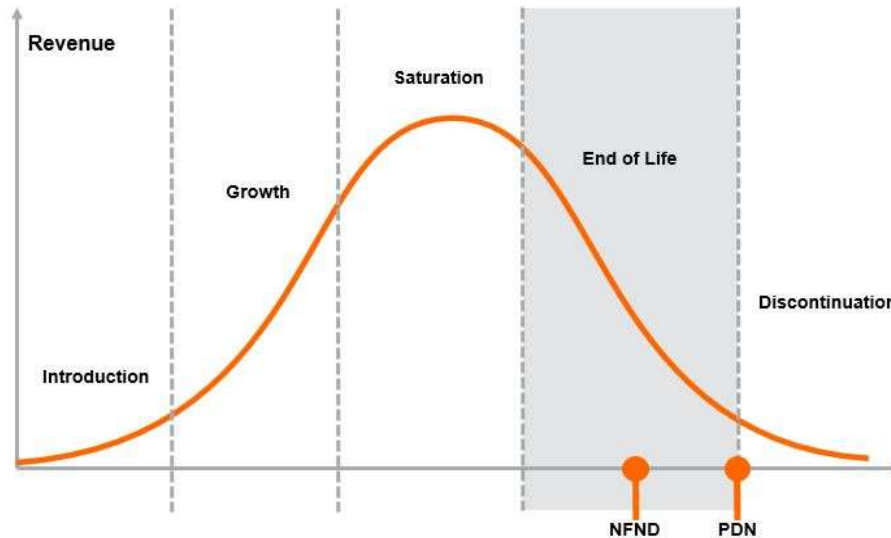
## Not For New Designs OS-NFND-2020-002

15 April 2020

**Expected discontinuation date:** 1-5 Years

**Reason:** The following products have reached their end of life.

**OSRAM OS Expectations:** Please use our recommended replacement for new designs. If they may not fit, please contact your local sales office for other solutions. Additionally we ask you to switch for running project as soon as possible to the proposed replacement. Anyway please check your demand and feedback your requested lifetime of these products.  
Attention: Q# already announced to be in phase-out process will not be impacted. Dates published in corresponding PDN will be kept.



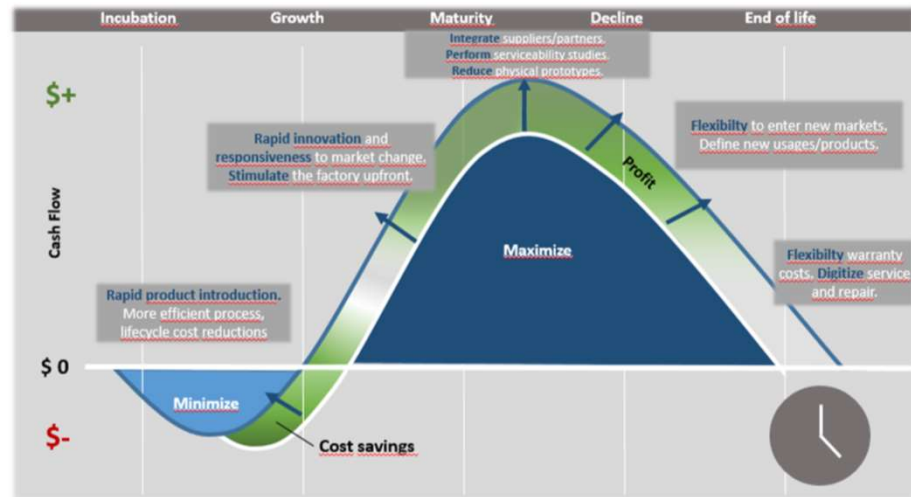
Please direct your feedback to your local Sales office.

Not for new design products		Recommended Replacement			
Device	Brand	Device	Brand	Datasheet Ordering Code	Expected PDN start
LA G6SP	Advanced Power TOPLED	LA G6SP.01	Advanced Power TOPLED	Q65112A5628	Q1 2025
LR G6SP	Advanced Power TOPLED	LR G6SP.01	Advanced Power TOPLED	Q65112A5627	Q1 2025
LS G6SP	Advanced Power TOPLED	LS G6SP.01	Advanced Power TOPLED	Q65112A5626 / Q65112A9705	Q1 2025

# Strategic Phase-out

Customer Info Package for:  
OS-NFND-2020-002

Status: April 2020



# Strategic Phase-out Customer Info Package

---

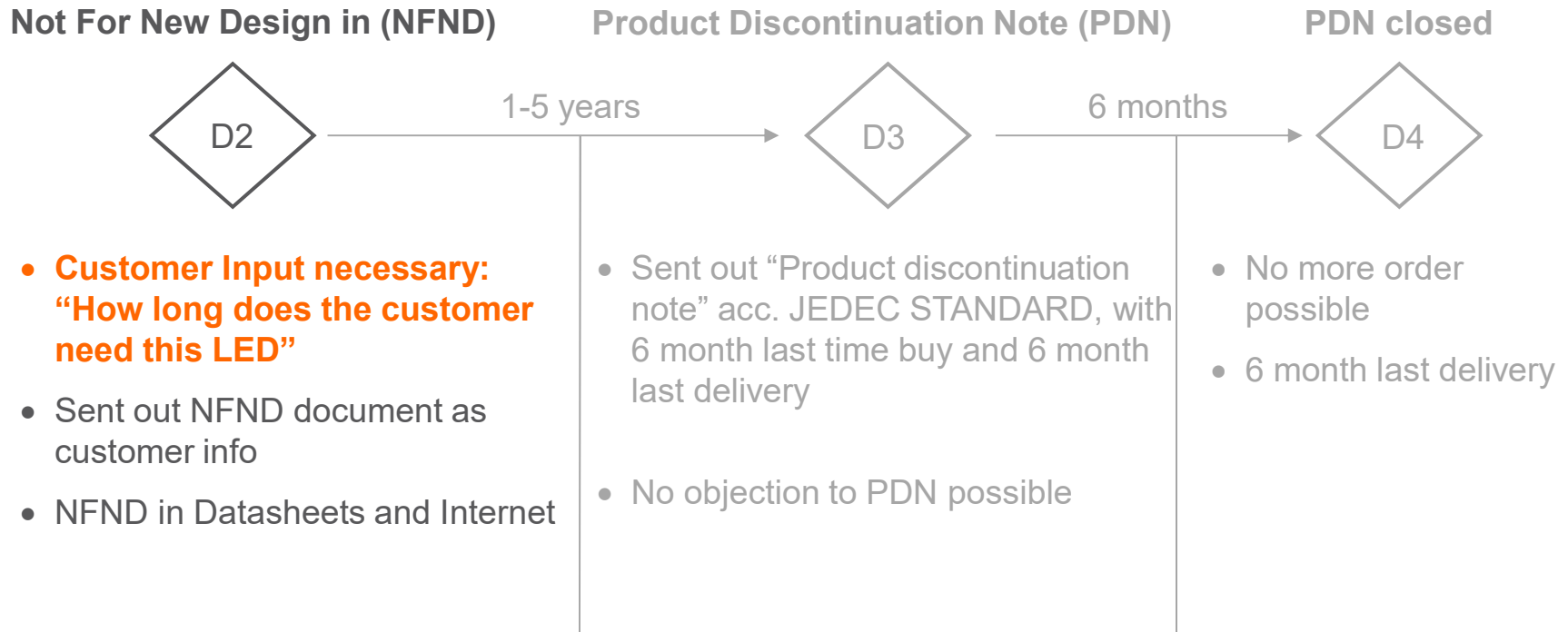
	Page
1. General Information	03
2. Strategic Phase-out Lx G6SP (amber, red, super red)	05

---

# 1. General Information

## Customer feedback mandatory

---



Customer has 2-6 Years to switch to the recommended replacement

# Strategic Phase-out Customer Info Package

---

	Page
1. General Information	03
2. Strategic Phase-out Lx G6SP (amber, red, super-red)	05

---

## 2. Strategic Phase-out Lx G6SP (amber, red, super red) General Overview

Phase-out Advanced Power TOPLED® with current chip technology

LA G6SP  
LR G6SP  
LS G6SP



Strategic phase-out in terms of long-term product phase-out.

Advanced Power TOPLED® Thinfilm Chip technology with improved  $R_{th}$

LA G6SP.01  
LR G6SP.01  
LS G6SP.01



Proposed strategic replacement products

**Target:** The Chip technology used in the Lx G6SP has reached its end of life. OSRAM OS offers a newer Version in the famous APT package in the colors amber, red and super red. For new designs we propose to switch to **Lx G6SP.01**.

### Benefits

- Same package, same solder pad, improved thermal management.
- Brightness increase at same binning current.
- Smaller brightness binning steps (24% → 13%)
- Improved  $R_{thJS}$  (34K/W → 22K/W) → better derating
- Better productivity expected

## 2. Strategic Phase-out Lx G6SP (amber, red, super red) Replacement Lx G6SP.01

Type	Color	Wavelength	Brightness Range	Grouping Current
LS G6SP.01	Super red	630 nm	3600 ... 7100 mcd	140 mA
LR G6SP.01	Red	623 nm	5000 ... 10000 mcd	140 mA
LA G6SP.01	Amber	617 nm	6300 ... 14000 mcd	140 mA

Electrical thermal resistance junction/solderpoint <sup>6)</sup>  
with efficiency  $\eta_e = 37\%$

$R_{th,jS \text{ elec.}}$

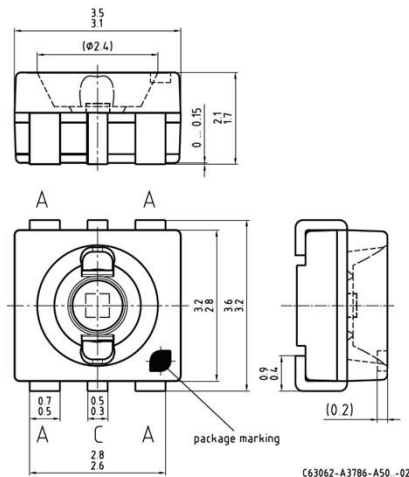
typ.  
max.

22 K / W  
32 K / W

### Brightness Groups

Group	Luminous Intensity <sup>1)</sup> $I_F = 140 \text{ mA}$ min. $I_v$	Luminous Intensity. <sup>1)</sup> $I_F = 140 \text{ mA}$ max. $I_v$
-------	---	--

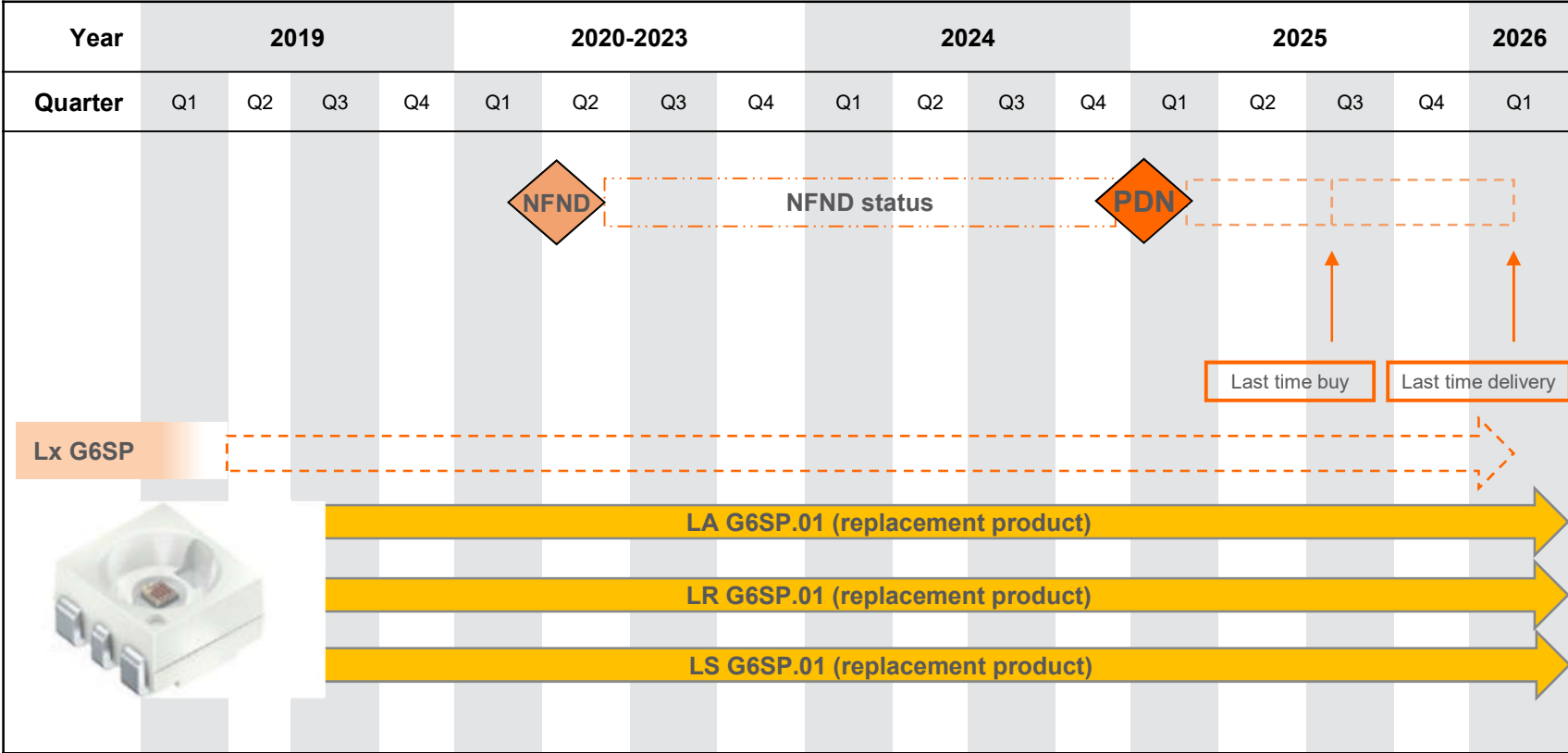
### Dimensional Drawing <sup>9)</sup>



7C	3.6 cd	4.0 cd
8C	4.0 cd	4.5 cd
5D	4.5 cd	5.0 cd
6D	5.0 cd	5.6 cd
7D	5.6 cd	6.3 cd
8D	6.3 cd	7.1 cd
5E	7.1 cd	8.0 cd
6E	8.0 cd	9.0 cd
7E	9.0 cd	10.0 cd
8E	10.0 cd	11.2 cd
5F	11.2 cd	12.5 cd
6F	12.5 cd	14.0 cd



# 2. Strategic Phase-out Lx G6SP (amber, red, super red) Planned time scenario for product phase-out



[www.osram-os.com](http://www.osram-os.com)

**Thank you.**

**OSRAM**  
Opto Semiconductors