

## Buckles - Data Sheet



**Índice**

<b>1 – Introduction</b> .....	<b>03</b>
<b>2 – Description</b> .....	<b>03</b>
<b>3 – Characteristics</b> .....	<b>03</b>
3.1 – General Characteristics .....	<b>03</b>
3.2 – Chemical Composition Characteristics .....	<b>04</b>
3.3 – Mechanical Characteristics .....	<b>04</b>
<b>4 – Dimension</b> .....	<b>05</b>
4.1 – Ear-Lokt Buckle.....	<b>05</b>
4.2 – Clip-Style Buckle.....	<b>05</b>
4.3 – Strapping Seal .....	<b>06</b>
4.4 – Screw Buckle .....	<b>06</b>
4.5 – Ball Self-Locking .....	<b>07</b>
<b>6 – Packaging and Transportation</b> .....	<b>07</b>
<b>7 – Remarks</b> .....	<b>08</b>

## **1 – Introduction**

This specification is designed to define manufacturer characteristics and the use of Fechometal stainless steel buckles. Information about products operation, main characteristics and dimensions of all models will be described in this document.

## **2 – Description**

The buckles are used together with the steel bands of different measures. It is used in poles and posts to fasten external telecommunications networks, construction, offshore and traffic signs. Through an easy lock system, Fechometal buckles offer an efficient grip without deforming and without harming the performance of the installation.

## **3 – Characteristics**

### **3.1 – General Characteristics**

- Easy application;
- High weather resistance;
- Corrosion resistance;
- Low magnetic permeability (with stainless steel 304 and 316).

### 3.2 – Chemical Composition Characteristics

The buckles can be supplied in stainless steel 430, 304 or 316.

Chemical Composition					
Types of Steel	Elements	Galvanized Carbon Steel	SS 430	SS 304	SS 316
Chemical Composition (%)	<b>C</b>	0.35 Max.	0.12 Max.	0.08 Max.	0.08 Max.
	<b>Mn</b>	0.6-1.05 Max.	1.00 Max.	2.00 Max.	2.00 Max.
	<b>P</b>	0.04 Max.	0.04 Max.	0.045 Max.	0.045 Max.
	<b>S</b>	0.05 Max.	0.030 Max.	0.030 Max.	0.030 Max.
	<b>Si</b>	0.10-0.35 Max.	1.00 Max.	0.75 Max.	0.75 Max.
	<b>Cr</b>	-	16.00 -18.00	18.00 -20.00	16.00 -18.00
	<b>Ni</b>	-	0.75 Max.	8.00 - 10.50	10.00 -14.00
	<b>N</b>	-	-	0.10 Max.	-
	<b>Mo</b>	-	-	-	2.00 - 3.00

### 3.3 – Mechanical Characteristics

BREAKING STRENGTH – Ear-Lokt Buckles			
Width	Thickness		Value (Lbs)
	mm	in	
1/4"	1.0	0.039	551
3/8"	1.2	0.047	551
1/2"	1.0	0.039	1102
5/8"	1.2	0.047	1433
3/4"	1.8	0.071	4409

BREAKING STRENGTH – Clip-Style Buckles			
Width	Thickness (in)		Value (Lbs)
	mm	in	
1/4"	0.6	0.024	330
3/8"	0.9	0.035	440
1/2"	1.0	0.039	1102
3/4"	1.0	0.039	2204
3/4"	1.2	0.047	2645

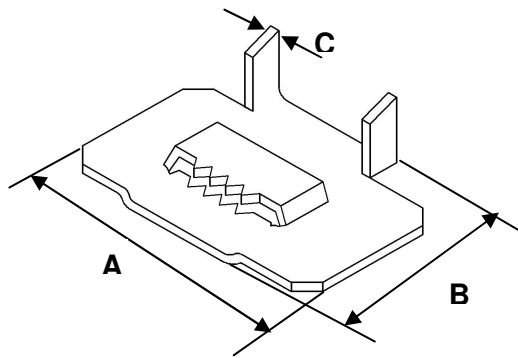


FechometalUSA

Stainless Steel Buckles Data Sheet

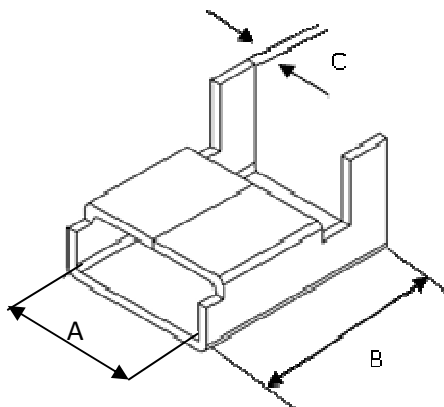
4 – Dimension (inches)

4.1 – Ear-Lokt Buckle



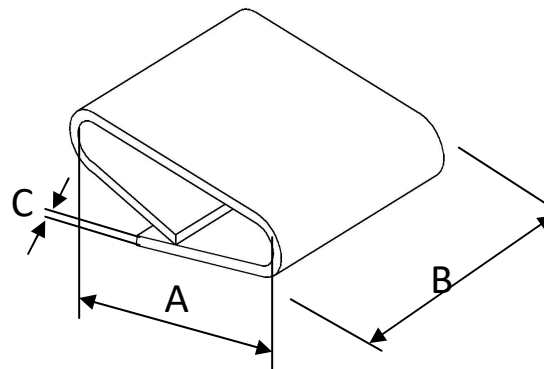
Description	Width (A)		Length (B)		Thickness (C)	
	mm	in	mm	in	mm	in
1/4"	18.5 ± 0.50	0,728 ± 0.02	13.5 ± 0.50	5.315 ± 0.02	0.6	0.024
3/8"	25.4 ± 0.50	0.976 ± 0.02	19.0 ± 0.50	0.748 ± 0.02	1.0	0.031
1/2"	34.0 ± 0.50	1.331 ± 0.02	25.0 ± 0.50	0.984 ± 0.02	1.0 / 1.2	0.039 / 0.047
5/8"	36.0 ± 0.50	1.417 ± 0.02	25.0 ± 0.50	0.984 ± 0.02	1.0	0.039 / 0.047 / 0.059
3/4"	43.5 ± 0.50	1.711 ± 0.02	25.0 ± 0.50	0.984 ± 0.02	1.0 / 1.2 / 1.5 / 1,8	0.039 / 0.047 / 0.059 / 0.071
1"	57.5 ± 0.50	2.264 ± 0.02	37.5 ± 0.50	14.764 ± 0.02	1,5 / 2.0	0.059 / 0.079
1 1/4"	71.0 ± 0.50	2.795 ± 0.02	41.8 ± 0.50	16.457 ± 0.02	1,5 / 2.0	0.059 / 0.079

4.2 - Clip-Style Buckle



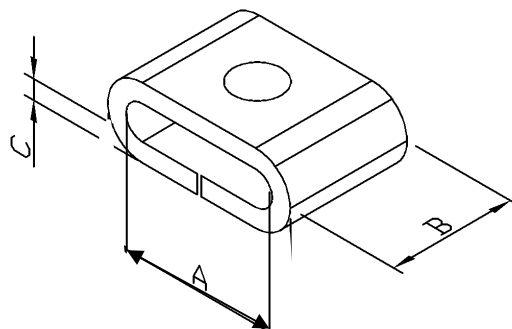
Description	Width (A)		Length (B)		Thickness (C)	
	mm	in	mm	in	mm	in
1/4"	8.50 ± 0.50	0.335 ± 0.02	15.0 ± 0.50	0.591 ± 0.02	0.5	0.0197
3/8"	10.5 ± 0.50	0.413 ± 0.02	15.20 ± 0.50	0.598 ± 0.02	0.6	0.0236
1/2"	13.40 ± 0.50	0.528 ± 0.02	15.20 ± 0.50	0.598 ± 0.02	1.0	0.0394
5/8"	17.5 ± 0.50	0.689 ± 0.02	21.0 ± 0.50	0.827 ± 0.02	0.8	0.0315
3/4"	21.0 ± 0.50	0.827 ± 0.02	22.0 ± 0.50	0.866 ± 0.02	1.0	0.0394

### 4.3 – Strapping Seal



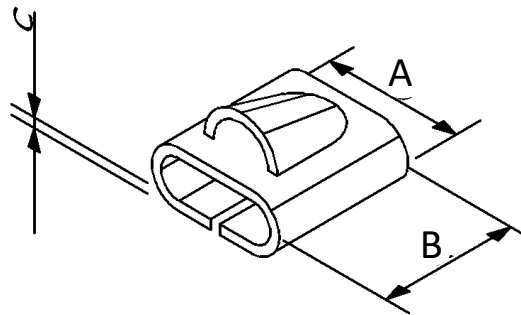
Description	Width (A)		Length (B)		Thickness (C)	
	mm	in	mm	in	mm	in
3/4"	20.20 ± 0.50	0.795 ± 0.02	22.00 ± 0.50	0.866 ± 0.02	0.60	0.0236

### 4.4 – Screw Buckle



Description	Width (A)		Length (B)		Thickness (C)	
3/8"	10.3 ± 0.50	0.406 ± 0.02	11.3 ± 0.50	0.445 ± 0.02	2.0 ± 0.2	0.079 ± 0.0079
1/2"	13.8 ± 0.50	0.543 ± 0.02	15.0 ± 0.50	0.591 ± 0.02	2.0 ± 0.2	0.079 ± 0.0079
3/4"	20.0 ± 0.50	0.787 ± 0.02	16.0 ± 0.50	0.630 ± 0.02	2.5 ± 0.2	0.098 ± 0.0079
1"	30.0 ± 0.50	1.181 ± 0.02	22.2 ± 0.50	0.740 ± 0.02	3.0 ± 0.2	0.118 ± 0.0079
1 1/4"	35.0 ± 0.50	1.378 ± 0.02	22.2 ± 0.50	0.840 ± 0.02	3.0 ± 0.2	0.118 ± 0.0079

#### 4.5 – Ball Self-Locking



Description	Width (A)		Length (B)		Thickness (C)	
3/16"	5.5	0.217	10.5	0.0197	0.5	0.0197
5/16"	8.6	0.339	12.7	0.5	0.6	0.0236
3/8"	10.7	0.421	13.0	0.512	0.6	0.0236
12mm	12.6	0.496	11.4	0.449	0.9	0.0354
1/2"	14.2	0.559	18.0	0.709	0.8	0.0315
5/8"	16.0	0.630	17.0	0.669	0.8	0.0315

#### 5. Packing and Transportation

The Fechometal buckles are packed in boxes which preserve its original features and allow a perfect transport and storage.

Each box is identified with the following information:

- Product name;



---

## Stainless Steel Buckles Data Sheet

- Product dimension;
- Type of material;
- Origin;
- Package quantity.

### 7. Remarks

Any comments, suggestions or other information related to this document may be directed to Fechometal Development Sector ([engenharia@fechometal.com](mailto:engenharia@fechometal.com)).