

C2012X7S1E106K125AC

TDK Item Description : C2012X7S1E106KT****

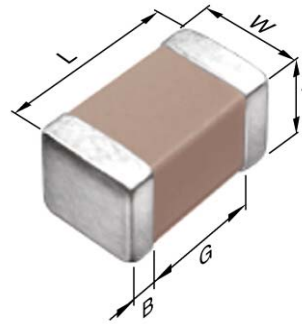


Application & Main Feature

Commercial Grade (General (Up to 50V))

Series

C2012 [EIA 0805]



Dimensions

L	2.00mm +0.25,-0.15mm
W	1.25mm +0.25,-0.15mm
T	1.25mm +0.25,-0.15mm
B	0.20mm Min.
G	0.50mm Min.

Temperature Characteristic

X7S (-55 to 125 degC +/-22%)

Rated Voltage

1E (25Vdc)

Capacitance

10uF

Capacitance Tolerance

K (+/-10%)

Dissipation Factor

7.5% Max.

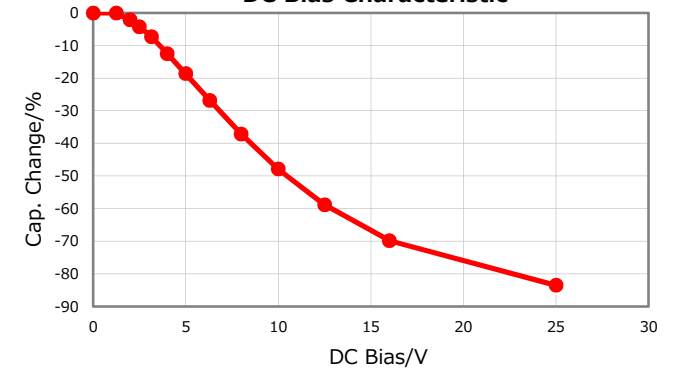
Insulation Resistance

50Mohm Min.

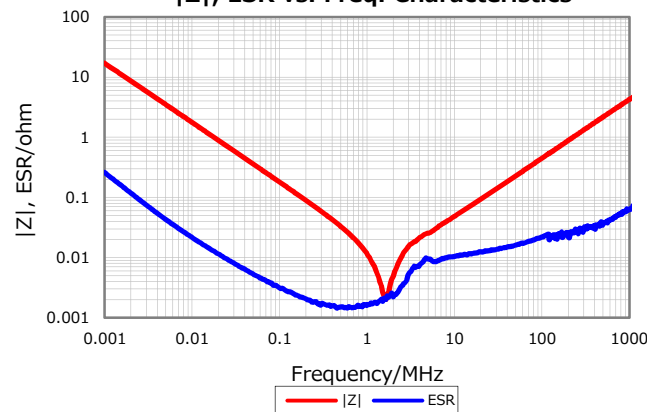
AEC-Q200

Not Applicable

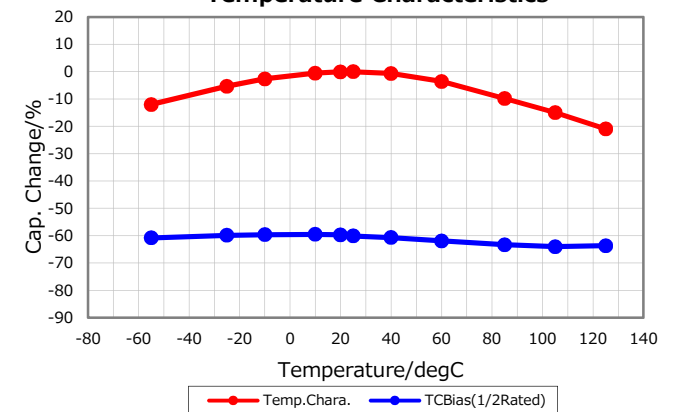
DC Bias Characteristic



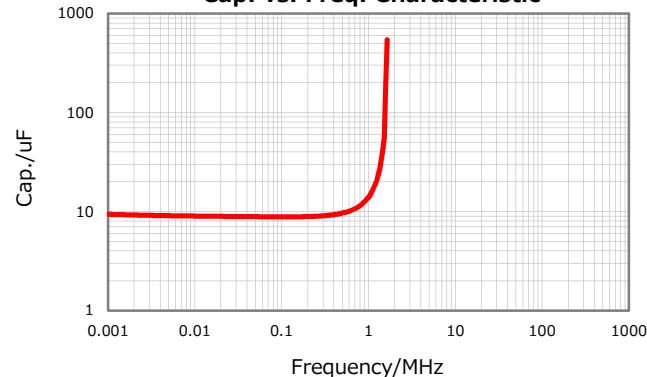
|Z|, ESR vs. Freq. Characteristics



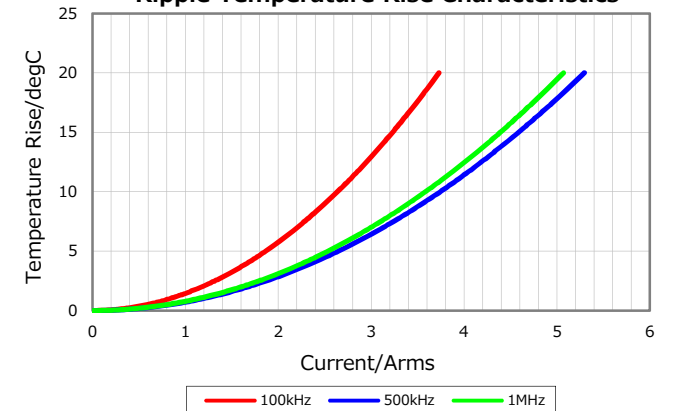
Temperature Characteristics



Cap. vs. Freq. Characteristic



Ripple Temperature Rise Characteristics



Characterization Sheet (Multilayer Ceramic Chip Capacitors)



⚠ All specifications are subject to change without notice.

June 11, 2018