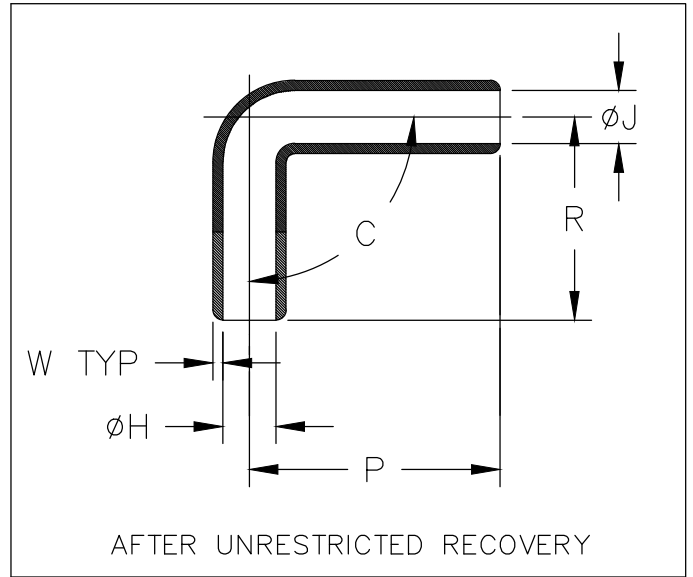
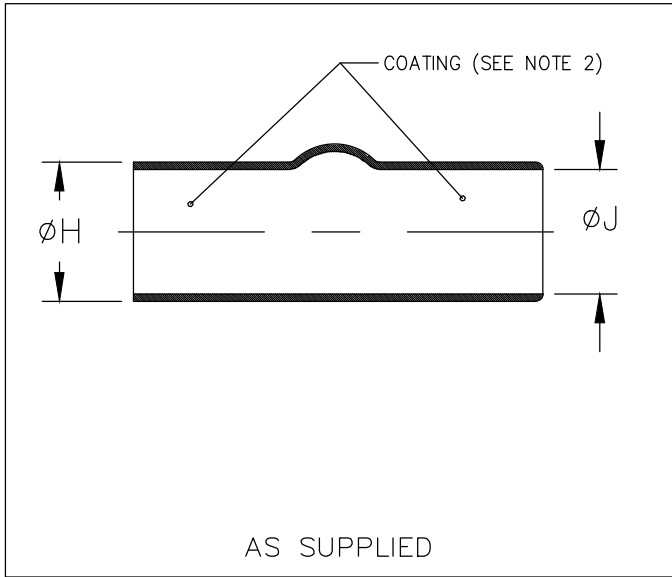


| REVISIONS | | | | | |
|-----------|-----|------------------|-----------|-----|------|
| P | LTR | DESCRIPTION | DATE | DWN | APVD |
| E | | PRODUCTION ISSUE | 01FEB2019 | PNT | MT |



| TABLE OF DIMENSIONS | | | | | | | | |
|---------------------|----------------|---------------|----------------|---------------|-----------------|-----------------|-----------------|--------------------|
| PART NUMBER | H | | J | | P | R | W | C |
| | Min a | Max b | Min a | Max b | $\pm 10\%$ b | $\pm 10\%$ b | $\pm 20\%$ b | $\pm 5^\circ$ b |
| 220A012 | 15.7 [.62] | 7.8 [.31] | 15.7 [.62] | 7.8 [.31] | 44.4 [1.75] | 25.4 [1.00] | 1.5 [.06] | 90° |
| 220A018 | 19.0 [.75] | 9.4 [.37] | 19.0 [.75] | 9.4 [.37] | 44.4 [1.75] | 44.4 [1.75] | 1.7 [.07] | 90° |
| 220A023 | 31.7 [1.25] | 15.7 [.62] | 31.7 [1.25] | 15.7 [.62] | 88.9 [3.50] | 50.8 [2.00] | 2.3 [.09] | 90° |

RELEASED FOR PUBLICATION

ALL RIGHTS RESERVED.

THIS DRAWING IS UNPUBLISHED.

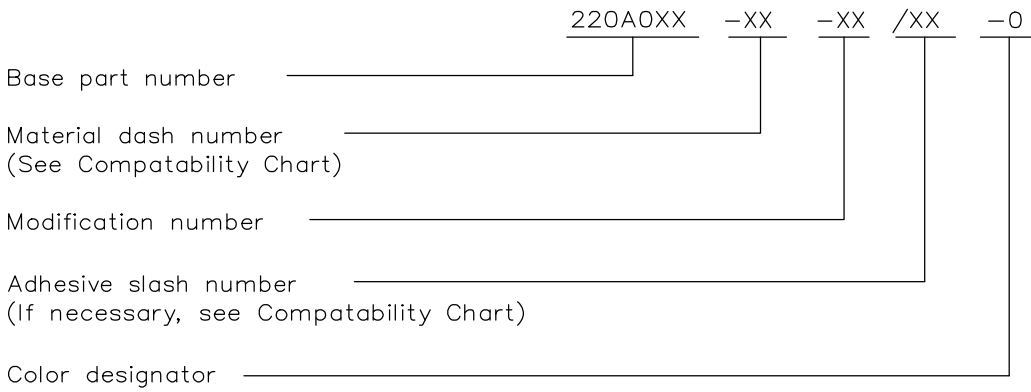
© COPYRIGHT - TE Connectivity Ltd.

| | | | | | | |
|--|------------------|-----------|----------------------|-------------|----------------------------|---------------|
| DIMENSIONS: mm [INCHES] | DWN | 01FEB2019 | MATERIAL | SEE SHEET 2 | FINISH | - |
| | CHK | 01FEB2019 | TE Connectivity Ltd. | | | |
| TOLERANCES UNLESS OTHERWISE SPECIFIED: | APVD | 01FEB2019 | | | | |
| 0 PLC ± - | PRODUCT SPEC | - | NAME | | | |
| 1 PLC ± - | APPLICATION SPEC | - | COVER, ELBOW | | | |
| 2 PLC ± - | | | SIZE | CAGE CODE | DRAWING NO | RESTRICTED TO |
| 3 PLC ± - | | | A4 | 00779 | C-220A012-XX-0THRU023-XX-0 | - |
| 4 PLC ± - | WEIGHT | | CUSTOMER DRAWING | | | |
| ANGLES ± - | | | SCALE | DNS | SHEET 1 OF 2 | REV E |

| REVISIONS | | | | | |
|-----------|-----|-------------|------|-----|------|
| P | LTR | DESCRIPTION | DATE | DWN | APVD |
| | - | SEE SHEET 1 | - | - | - |

| COMPATIBILITY CHART | | | | |
|---------------------|----------------------------|---------|-------------------|-------------------|
| MATERIAL DASH NO. | MATERIAL DESCRIPTION | RT SPEC | COATING SLASH NO. | COATING SPEC |
| -3 | POLYOLEFIN, SEMI-RIGID | RT-301 | /42;/86;/180 | S1017;S1048;S1030 |
| -4 | POLYOLEFIN, FLEXIBLE | RT-1304 | /42;/86;/180 | S1017;S1048;S1030 |
| -12 | FLUROELASTOMER FLEXIBLE | RT-1312 | N/A | N/A |
| -25 | ELASTOMER, FLUID RESISTANT | RW-2070 | /42;/86;/225 | S1017;S1048;S1206 |


ORDERING INFORMATION



NOTES

- Dimensions appearing in table are as follows:
 - a - As Supplied
 - b - After Unrestricted Recovery
- Coating is optional. As supplied dimensions appearing in table are for uncoated parts. When coating is added, entry diameters will be reduced by 1.5[.06] max.

THIS DRAWING IS UNPUBLISHED. ALL RIGHTS RESERVED. COPYRIGHT - TE Connectivity Ltd.

| | | | | | | |
|--|--------------------|-----------|---|--------------|----------------------------|---------------|
| DIMENSIONS: mm [INCHES] | DWN PRAVEEN N T | 01FEB2019 | MATERIAL | - | FINISH | - |
| | CHK N NAGAR | 01FEB2019 |  TE Connectivity Ltd. | | | |
| TOLERANCES UNLESS OTHERWISE SPECIFIED: | APVD M TAYLOR | 01FEB2019 | | | | |
| 0 PLC ± - | PRODUCT SPEC | - | NAME | COVER, ELBOW | | |
| 1 PLC ± - | APPLICATION SPEC | - | SIZE | CAGE CODE | DRAWING NO | RESTRICTED TO |
| 2 PLC ± - | WEIGHT | - | A4 | 00779 | C-220A012-XX-0THRU023-XX-0 | - |
| 3 PLC ± - | CUSTOMER DRAWING | | | SCALE | DNS | SHEET 2 OF 2 |
| 4 PLC ± - | | | | | | REV E |
| ANGLES ± - | | | | | | |

