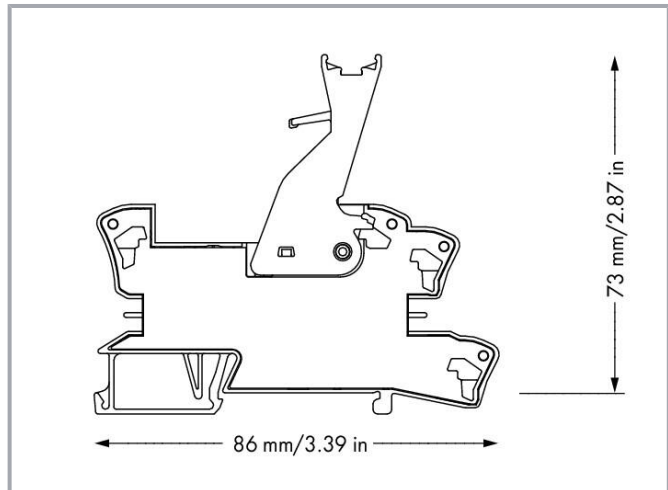
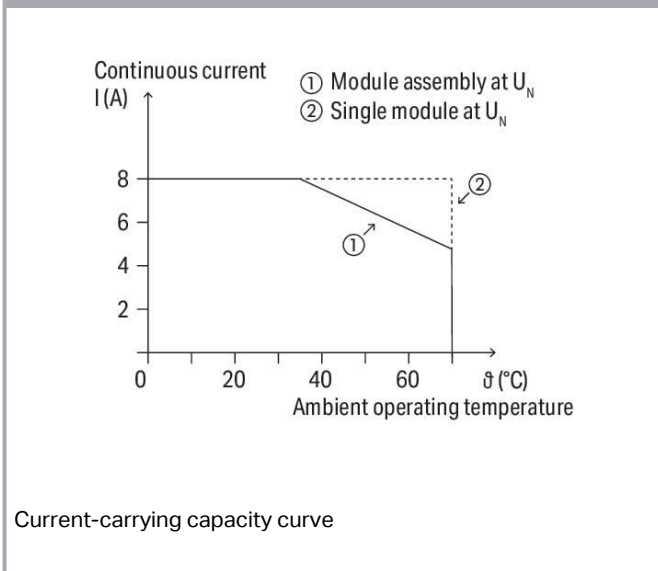
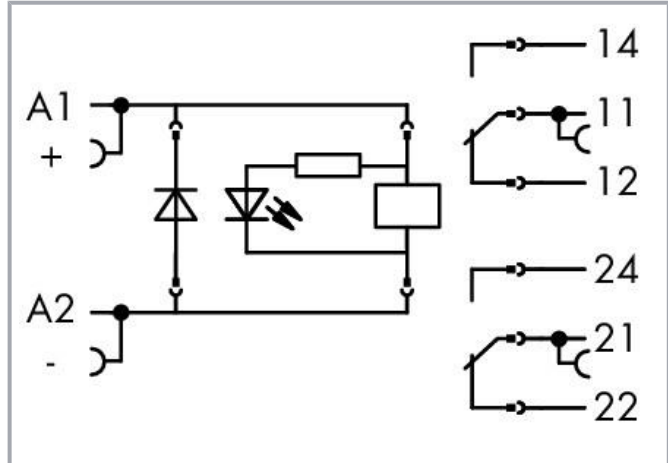
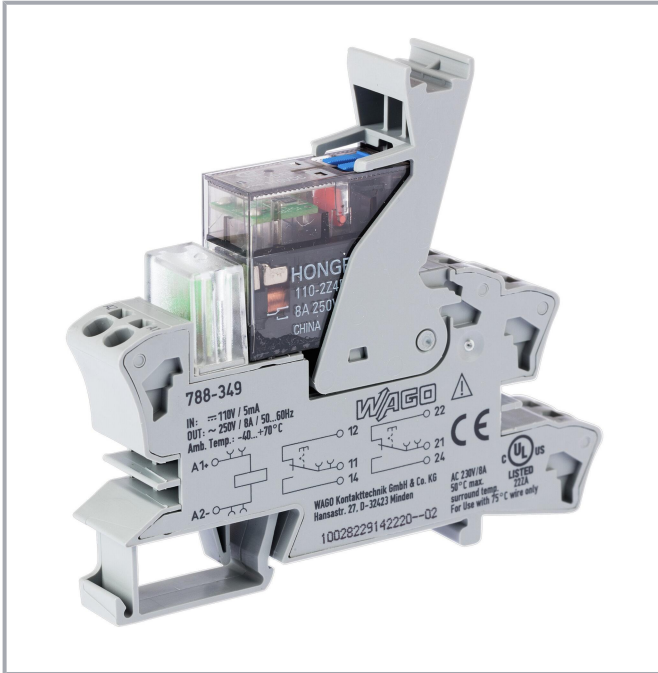


Data sheet | Item number: 788-349

Relay module; Nominal input voltage: 110 VDC; 2 changeover contacts;
 Limiting continuous current: 8 A; with manual operation; Red status indicator;
 Module width: 15 mm



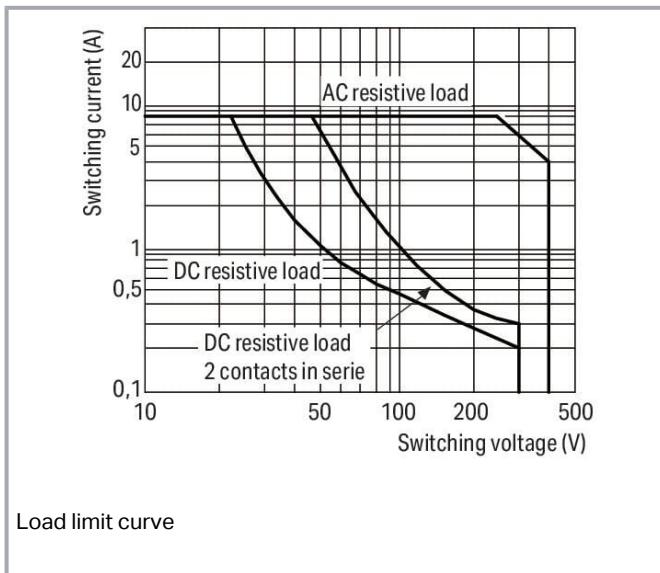
www.wago.com/788-349



Subject to changes. Please also observe the further product documentation!

WAGO GmbH & Co. KG
 Hansastr. 27
 32423 Minden
 Phone: +49571 887-0 | Fax: +49571 887-169
 Email: info.de@wago.com | Web: www.wago.com

Do you have any questions about our products?
 We are always happy to take your call at +49 (571) 887-44222.



Data

Notes

Safety information

A separator plate (e.g., 209-191) must be used for voltages greater than 250 V between adjacent relay modules and for compliance with the reinforced insulation requirements.

Note

- Reinforced insulation between coil and contacts
- To protect the relay coils and contacts, inductive loads must be dampened with an effective protection circuit.

Technical data

Control Circuit

| | |
|--------------------------------|-------------|
| Nominal input voltage U_N | DC 110 V |
| Input voltage range | $\pm 10 \%$ |
| Nominal input current at U_N | 4 mA |

Load circuit

| | |
|--|------|
| Number of changeover/switchover contacts | 2 |
| Contact material (relay) | AgNi |
| Limiting continuous current | 8 A |

Subject to changes. Please also observe the further product documentation!



| | |
|--|---|
| Inrush current (resistive) max. | (AC) 16 A / 0.02 s; (AC) 12 A / 4 s |
| Switching voltage (max.) | AC 250 V |
| Switching power (resistive) max. | AC 2000 VA; DC (see load limit curve) |
| Switching capacity | AC-15: 1.5 A / AC 240 V; DC-13: 1 A / DC 24 V |
| Recommended minimum load | 12 V / 10 mA |
| Pull-in time (typ.) | 15 ms |
| Drop-out time (typ.) | 8 ms |
| Bounce time (typ.) | 7 ms |
| Electrical life (NO; resistive load; 23 °C) | 10 x 10 ³ switching operations |
| Mechanical life | 5 x 10 ⁶ switching operations |
| Switching frequency with/without load (max.) | 6 min ⁻¹ / 300 min ⁻¹ |

Signaling

| | |
|------------------|-----------------------|
| Status indicator | Red LED Mechanical |
|------------------|-----------------------|

Safety and protection

| | |
|--|---|
| Rated voltage | 250 V |
| Rated surge voltage | 4 kV |
| Pollution degree | 3 |
| Dielectric strength (control/load circuit) (AC, 1 min) | 5 kVrms |
| Dielectric strength (open contact) (AC, 1 min) | 1 kVrms |
| Dielectric strength (load/load circuit) (AC, 1 min) | 2.5 kVrms |
| Safety information | A separator plate (e.g., 209-191) must be used for voltages greater than 250 V between adjacent relay modules and for compliance with the reinforced insulation requirements. |
| Protection type | IP20 |

Connection data

| | |
|-------------------------|--|
| Connection technology | Push-in CAGE CLAMP® |
| Solid conductor | 0.34 ... 2.5 mm ² / 22 ... 14 AWG |
| Fine-stranded conductor | 0.34 ... 2.5 mm ² / 22 ... 14 AWG |
| Strip length | 9 ... 10 mm / 0.35 ... 0.39 inches |

Physical data

| | |
|-------|----------------------|
| Width | 15 mm / 0.591 inches |
|-------|----------------------|

Subject to changes. Please also observe the further product documentation!



| | |
|-----------------------------------|----------------------|
| Height | 86 mm / 3.386 inches |
| Depth from upper-edge of DIN-rail | 73 mm / 2.874 inches |

Mechanical data

| | |
|---------------|-------------|
| Mounting type | DIN-35 rail |
|---------------|-------------|

Material Data

| | |
|-----------|----------|
| Fire load | 0.696 MJ |
| Weight | 48.6 g |

Environmental requirements

| | |
|--|--|
| Ambient temperature (operation at U_N) | -40 ... +70 °C |
| Ambient temperature UL (operation at U_N) | -40 ... +50 °C |
| Ambient temperature (storage) | -40 ... +70 °C |
| Processing temperature | -25 ... +50 °C |
| Temperature range of connection cable | $\geq (T_{\text{ambient}} + 20 \text{ K})$ |

Standards and specifications

| | |
|--------------------------|--|
| Standards/specifications | EN 61010-2-201 EN 61810-1 EN 61373 UL 508 |
|--------------------------|--|

Commercial data

| | |
|-----------------------|--------------------------|
| Product Group | 6 (INTERFACE ELECTRONIC) |
| eCl@ss 10.0 | 27-37-16-01 |
| eCl@ss 9.0 | 27-37-16-01 |
| ETIM 8.0 | EC001437 |
| ETIM 7.0 | EC001437 |
| PU (SPU) | 15 (1) pcs |
| Packaging type | box |
| Country of origin | DE |
| GTIN | 4050821226833 |
| Customs tariff number | 85364900990 |

Subject to changes. Please also observe the further product documentation!

WAGO GmbH & Co. KG
Hansastr. 27
32423 Minden
Phone: +49571 887-0 | Fax: +49571 887-169
Email: info.de@wago.com | Web: www.wago.com

Do you have any questions about our products?
We are always happy to take your call at +49 (571) 887-44222.



Environmental Product Compliance

RoHS Compliance Status


Compliant, No Exemption

Approvals / Certificates

General approvals




| Logo | Approval | Additional Approval Text | Certificate name |
|--|---|--------------------------|-----------------------------|
|  | EAC Brjansker Zertifizierungsstelle | TP TC 004/2011 | EAC RU C-DE.AM02.B.00122/19 |
|  | UL Underwriters Laboratories Inc. (ORDINARY LOCATIONS) | UL 508 | E175199 Vol.1 Sec. 6 |

Declarations of conformity and manufacturer's declarations

| Logo | Approval | Additional Approval Text | Certificate name |
|--|--|--------------------------|------------------|
|  | EU-Declaration of Conformity WAGO GmbH & Co. KG | - | - |

Optional accessories

Marking accessories

| | | | |
|--|--|--|--|
| Marking strip | | | |
|  | Item no.: 2009-110 Marking strips; for Smart Printer; on reel; not stretchable; plain; snap-on type; white | | www.wago.com/2009-110 |
| Double marker carrier | | | |
|  | Item no.: 209-128 Adaptor; gray | | www.wago.com/209-128 |
| Marking devices | | | |
|  | Item no.: 210-110 Fiber-tip pen | | www.wago.com/210-110 |
| Protective marker cover | | | |

Subject to changes. Please also observe the further product documentation!

WAGO GmbH & Co. KG

Hansastr. 27















32423 Minden

Phone: +49571 887-0 | Fax: +49571 887-169

Email: info.de@wago.com | Web: www.wago.com

Do you have any questions about our products?

We are always happy to take your call at +49 (571) 887-44222.

| | | |
|--|--|--|
|  | Item no.: 209-184 Protection cover; transparent | www.wago.com/209-184 |
| Marker | | |
|  | Item no.: 2009-115 WMB-Inline; for Smart Printer; 1500 pieces on roll; stretchable 5 - 5.2 mm; plain; snap-on type; white | www.wago.com/2009-115 |
|  | Item no.: 209-183 Marker; white | www.wago.com/209-183 |
|  | Item no.: 793-501 WMB marking card; as card; not stretchable; plain; snap-on type; white | www.wago.com/793-501 |
|  | Item no.: 793-502 WMB marking card; as card; MARKED; 1 ... 10 (10x); not stretchable; Horizontal marking; snap-on type; white | www.wago.com/793-502 |
|  | Item no.: 793-503 WMB marking card; as card; MARKED; 11 ... 20 (10x); not stretchable; Horizontal marking; snap-on type; white | www.wago.com/793-503 |
|  | Item no.: 793-504 WMB marking card; as card; MARKED; 21 ... 30 (10x); not stretchable; Horizontal marking; snap-on type; white | www.wago.com/793-504 |
|  | Item no.: 793-505 WMB marking card; as card; MARKED; 31 ... 40 (10x); not stretchable; Horizontal marking; snap-on type; white | www.wago.com/793-505 |
| Group marker carrier | | |
|  | Item no.: 209-145 Group marker carrier; white | www.wago.com/209-145 |
|  | Item no.: 249-105 Group marker carrier; gray | www.wago.com/249-105 |
| Ferrule | | |
| Ferrule | | |
|  | Item no.: 216-241 Ferrule; Sleeve for 0.5 mm ² / 20 AWG; insulated; electro-tin plated; electrolytic copper; gastight crimped; acc. to DIN 46228, Part 4/09.90; white | www.wago.com/216-241 |
|  | Item no.: 216-242 Ferrule; Sleeve for 0.75 mm ² / 18 AWG; insulated; electro-tin plated; electrolytic copper; gastight crimped; acc. to DIN 46228, Part 4/09.90; gray | www.wago.com/216-242 |
|  | Item no.: 216-243 Ferrule; Sleeve for 1 mm ² / AWG 18; insulated; electro-tin plated; electrolytic copper; gastight crimped; acc. to DIN 46228, Part 4/09.90; red | www.wago.com/216-243 |
|  | Item no.: 216-244 | |

Subject to changes. Please also observe the further product documentation!

Ferrule; Sleeve for 1.5 mm² / AWG 16; insulated; electro-tin plated; electrolytic copper; gastight crimped; acc. to DIN 46228, Part 4/09.90; black

www.wago.com/216-244



Item no.: 216-542

Twin ferrule; Sleeve for 2 x 1 mm² / AWG 2 x 18; red, insulated; 12 mm long; red

www.wago.com/216-542

Indicators

Status indication



Item no.: 788-122

Accessories for relay modules; Operation status indicator: red; Nominal operating voltage: 110 VDC

www.wago.com/788-122

Jumpers

Jumper



Item no.: 788-116

Jumper; for jumper slot; 6-way; insulated; light gray

www.wago.com/788-116



Item no.: 788-117

Jumper; for jumper slot; 8-way; insulated; light gray

www.wago.com/788-117



Item no.: 788-114

Jumper; for jumper slot; 3-way; insulated; light gray

www.wago.com/788-114



Item no.: 788-113

Jumper; for jumper slot; 2-way; insulated; light gray

www.wago.com/788-113



Item no.: 788-115

Jumper; for jumper slot; 4-way; insulated; light gray

www.wago.com/788-115



Item no.: 859-402

Jumper; for jumper slot; 2-way; insulated; light gray

www.wago.com/859-402



Item no.: 788-118

Jumper; for jumper slot; 2-way; from 1 to 3; insulated; light gray

www.wago.com/788-118

Tool

Operating tool



Item no.: 210-720

Operating tool; Blade: 3.5 x 0.5 mm; with a partially insulated shaft; multicoloured

www.wago.com/210-720

Downloads

Documentation

Instruction Leaflet

Subject to changes. Please also observe the further product documentation!

WAGO GmbH & Co. KG

Hansastr. 27

32423 Minden

Phone: +49571 887-0 | Fax: +49571 887-169

Email: info.de@wago.com | Web: www.wago.com

Do you have any questions about our products?

We are always happy to take your call at +49 (571) 887-44222.



| | | | |
|------------------------------------|-----------------------|---------------|----------|
| Sockets with Elementary Relay/ SSR | V 1.0.1 2020 Oct 9 | pdf 2.3 MB | Download |
|------------------------------------|-----------------------|---------------|----------|

Additional Information

| | | | |
|---|------------------------|---------------|----------|
| Disposal and Recycling Electrical and electronic equipment, Batteries, Packaging | V 1.1.0 2022 Aug 18 | pdf 2.2 MB | Download |
|---|------------------------|---------------|----------|

CAD/CAE-Data

CAD data

| | | |
|----------------------|-----|----------|
| 2D/3D Models 788-349 | URL | Download |
|----------------------|-----|----------|

CAE data

| | | |
|------------------------|-----|----------|
| WSCAD Universe 788-349 | URL | Download |
|------------------------|-----|----------|

| | | |
|----------------------|-----|----------|
| ZUKEN Portal 788-349 | URL | Download |
|----------------------|-----|----------|

| | | |
|---------------------------|-----|----------|
| EPLAN Data Portal 788-349 | URL | Download |
|---------------------------|-----|----------|

Environmental Product Compliance

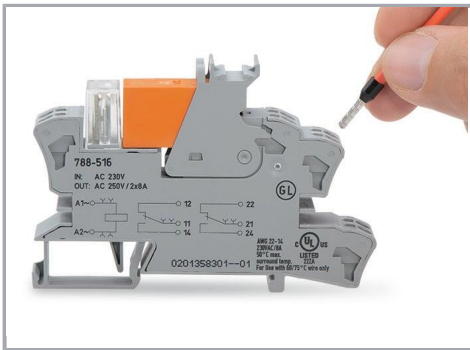
Compliance Search

| | | |
|---|-----|----------|
| Environmental Product Compliance 788-349 Relay module; Nominal input voltage: 110 VDC; 2 changeover contacts; Limiting continuous current: 8 A; with manual operation; Red status indicator; Module width: 15 mm | URL | Download |
|---|-----|----------|

Installation Notes

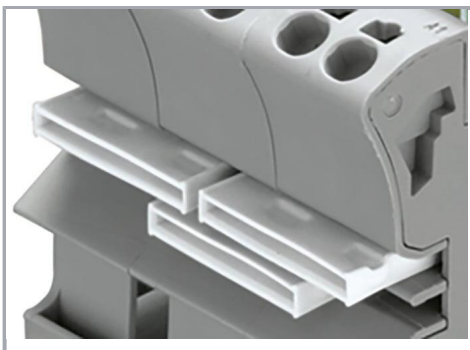
Conductor termination

Subject to changes. Please also observe the further product documentation!



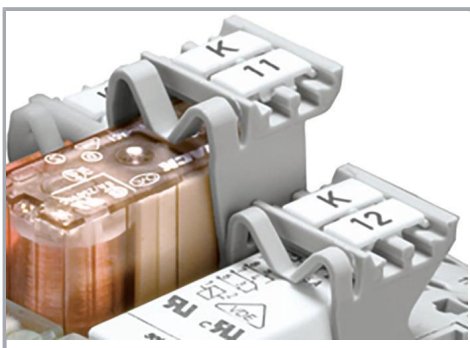
Conductor termination

Commoning



Easy commoning using adjacent jumpers

Marking



Marking using WMB Multi markers and group marker carriers.

Subject to changes. Please also observe the further product documentation!