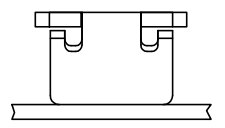
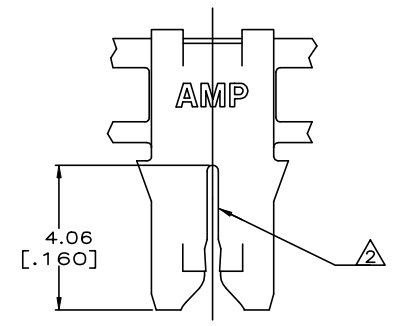
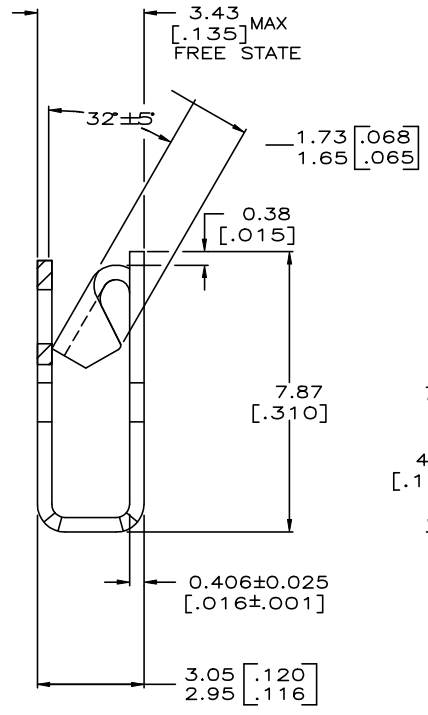
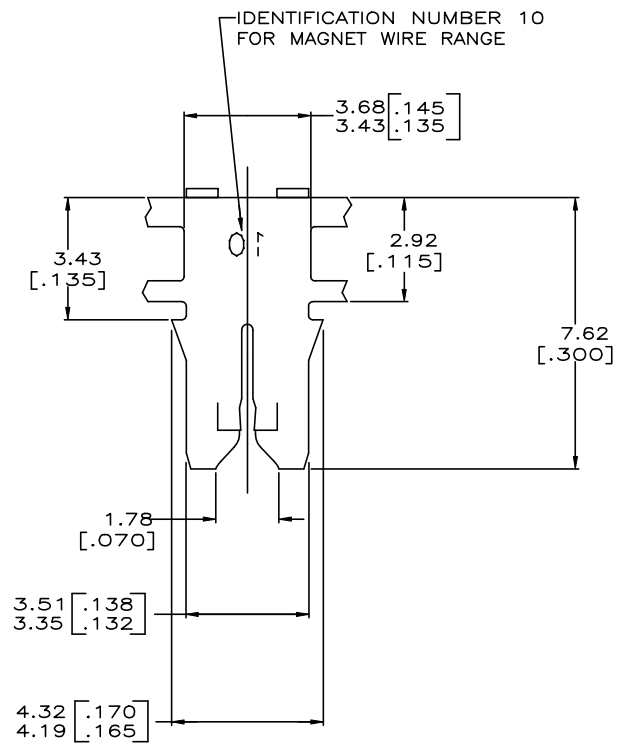


LOC	DIST	P	F	ZONE	LTR	DESCRIPTION	DATE	APPD
AF	50					C1 REVISED PER ECR-19-014370	27SEP2019	JA-PKS



- 1 CONTINUOUS STRIP ON REELS WITH TERMINALS LOCATED ON 5.59±0.08 [.220±.003] CENTERS. SLOT ACCEPTS 0.36-0.57mm [#27-#23] AWG COPPER MAGNET WIRE. SINGLE OR DOUBLE WIRE OF THE SAME SIZE AND TYPE. ALUMINIUM RANGE IS 0.51-0.64 mm [#24-#22] AWG. ALUMINIUM WIRE RANGE APPLIES FOR POST TIN PLATED PARTS ONLY.
- 2 REELED ON PLASTIC REELS WITHOUT PAPER.



63754

SPLICE FREE	3	63754-1
SPLICE	REELING	PART NO

DO NOT SCALE PRINT. UNLESS SPECIFIED	DR 10/22/93 MICHAEL S. FEHER
DIMENSIONS IN mm [INCHES]	CHK 10/25/93 JEFF R. RUTH
TOLERANCES ON :	APPD 10/26/93 NELSON E. NEFF
2 PLC DEC ± 0.25 [.010]	APPD 10/26/93 TERRY L. SHUTTER
3 PLC DEC ± -	PRODUCT SPEC
ANGLES ± -	108-2012
MATERIAL	APPLICATION SPEC
4M BRASS	114-2046
FINISH	WEIGHT -
0.002032 [.000080]	
MIN TIN PLATE	

STE TE Connectivity		
NAME		
TERMINAL, POKE-IN, 300 SERIES MAG-MATE™		
SIZE	CAGE CODE	DRAWING NO
C	00779	C=63754
SCALE	10:1	SHEET
		10F 1

THIS DRAWING IS A CONTROLLED DOCUMENT FOR AMP INCORPORATED. IT IS SUBJECT TO CHANGE AND THE CONTROLLING ENGINEERING ORGANIZATION SHOULD BE CONTACTED FOR THE LATEST REVISION.