

Würth Elektronik eiSos GmbH & Co. KG

EMC & Inductive Solutions

Max-Eyth-Straße 1 · 74638 Waldenburg · Germany

Tel. +49(0)79 42 945-0 · Fax +49(0)79 42 945-400

eiSos@we-online.de · www.we-online.de



Product / Process Change Notification (PCN)

- Major change
 Minor change

PCN #: PCN_AsCHTW_20190902

Affected Series: WA-CHTW; 52040x000

PCN Date: August 02, 2019

Effective Date: September 02, 2019

Change Category:

- Equipment / Location
 General Data
 Material
 Process
 Product Design
 Shipping / Packaging
 Supplier
 Software

Contact: Product Management

Phone: +49 (0) 7942 - 945 5001

Fax: +49 (0) 7942 - 945 5179

E-Mail: pcn.eican@we-online.com

Data Sheet Change:

- Yes No

Attachment:

- Yes No

DESCRIPTION AND PURPOSE OF CHANGE:

Because of a database mismatch, Würth Elektronik will correct the panel thickness on the datasheet.

All datasheets with the valid date 2019-09-02 or later will change according the table below.

There will be no change in form, fit, function, quality or reliability of the product.

DETAIL OF CHANGE:

Part Number	Current Panel Thickness (t in mm)	Correct Panel Thickness (t in mm)
520401000	1,0-3,2	0,8-3,0
520402000	1,0-3,2	0,8-3,0
520403000	1,0-3,2	0,8-3,0
520404000	1,0-3,2	0,8-3,0
520406000	1,0-3,2	0,8-3,0
520407000	1,0-3,2	0,8-3,0
520408000	1,0-3,2	0,8-2,5

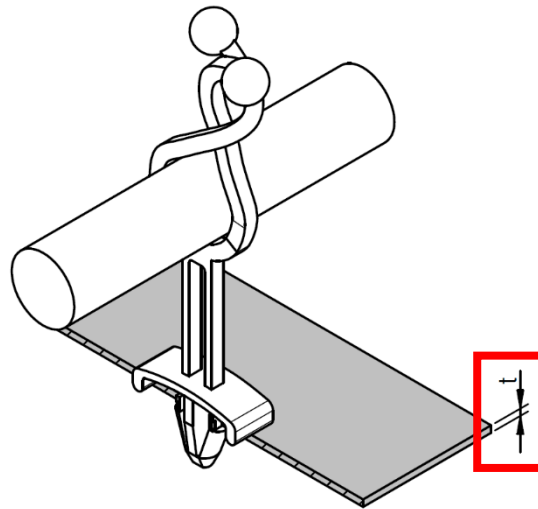
Würth Elektronik eiSos GmbH & Co. KG

EMC & Inductive Solutions

Max-Eyth-Straße 1 · 74638 Waldenburg · Germany

Tel. +49 (0) 79 42 945-0 · Fax +49 (0) 79 42 945-400

eiSos@we-online.de · www.we-online.de



RELIABILITY / QUALIFICATION SUMMARY:

There will be no change of the product, therefore no additional reliability or qualification testing will be performed.