

NOTES

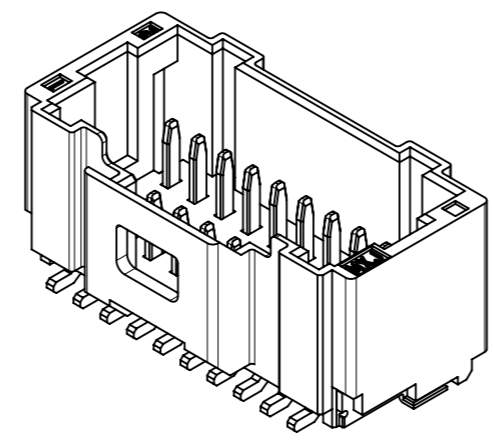
- ① 材料及び仕上げ(めっき仕様) : TABLE 1 参照  
MATERIAL AND FINISHES : SEE TABLE 1
- 2. 製品仕様書 : PS-501190-001  
PRODUCT SPECIFICATION:
- 3. 梱包形態 : SEE SHEET 3  
PACKAGING INFORMATION:
- ④ 嵌合相手 : 501189 シリーズ  
MATES WITH:501189 SERIES
- 5. アプリケーション仕様書(コネクタ取扱い説明書) : 5011890000-AS A00(JAPANESE)/A01(ENGLISH)  
APPLICATION SPECIFICATION(CONNECTOR MANUAL):
- 6. ソルダーピン及びネイルの平坦度:0.1 MAX.  
SOLDER PIN AND NAIL COPLANARITY: 0.1 MAX.
- ⑦ 極数/2=偶数に適用  
APPLICABLE FOR CIRCUIT SIZE/2 = EVEN
- 8. 本製品は複数の金めっき厚を展開しております。その他の金めっき厚は以下の図面を御参照下さい。  
THIS PRODUCT EXIST MULTIPLE GOLD PLATING.  
PLEASE REFER TO THE FOLLOWING DRAWING FOR OTHER GOLD PLATING THICKNESS.

GOLD PLATING THICKNESS [micro-meter MIN.]	SERIES No.	DRAWING No.
0.38	203564	2035640000-SD PSD 000
0.76	203565	2035650000-SD PSD 000

① TABLE 1

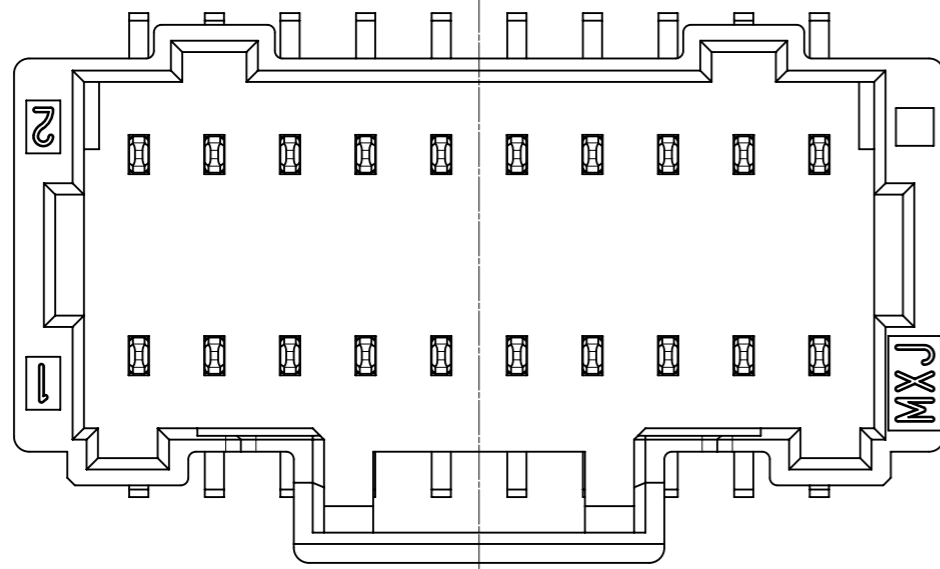
番号 NO.	部品 PART	材質 MATERIAL
①	ウエハー WAFER	ポリアミド(PA), UL94V-0, 色 : SEE SHEET 5 POLYAMIDE(PA), UL94V-0, COLOR : SEE SHEET 5
②	ソルダーピン SOLDER PIN	リン青銅 PHOSPHOR BRONZE
		接点部 CONTACT AREA 金めっき : 0.1 MICRO-METER MIN. GOLD PLATING
		テール部 TAIL AREA 金めっき : 0.05 MICRO-METER MIN. GOLD PLATING
③	ネイル NAIL	リン青銅 PHOSPHOR BRONZE
		テール部 TAIL AREA 錫めっき : 1.0 MICRO-METER MIN. MATTE TIN PLATING
④	カバーテープ COVER TAPE	下地めっき UNDER PLATING ニッケルめっき : 1.0 MICRO-METER MIN. NICKEL
		ポリイミドテープ POLYIMIDE TAPE

26.8	24.0	27.3	50
21.8	19.0	22.3	40
16.8	14.0	17.3	30
11.8	9.0	12.3	20
C	B	A	極数 CIRCUIT SIZE

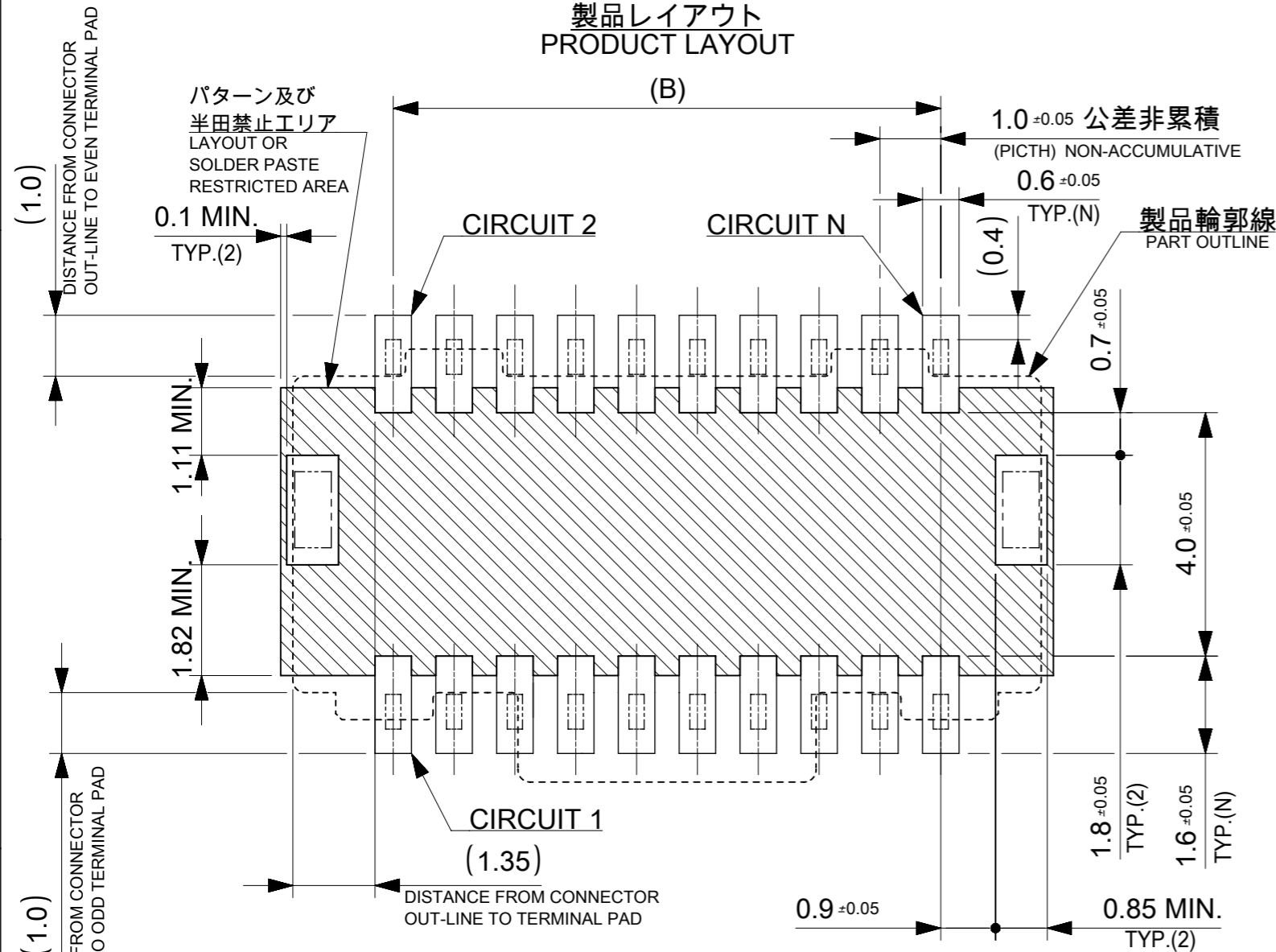


THIS DRAWING CONTAINS INFORMATION THAT IS PROPRIETARY TO MOLEX ELECTRONIC TECHNOLOGIES, LLC AND SHOULD NOT BE USED WITHOUT WRITTEN PERMISSION

DIMENSION UNITS	SCALE	CURRENT REV DESC:	molex		
mm	NTS	EC NO: 614725	PICO-CLASP 1.0 W/B DUAL ROW VT SMT GOLD PLATING 0.1 MICRO-METER		
GENERAL TOLERANCES (UNLESS SPECIFIED)		DRWN: AISHIKAWA 2019/03/19			
ANGULAR TOL	± 3.0°	CHK'D: AIDA 2019/04/03	PRODUCT CUSTOMER DRAWING		
4 PLACES	± 0.2	APPR: KOMURAKAMI 2019/04/03	DOCUMENT NUMBER		
3 PLACES	± 0.2	INITIAL REVISION:	5011900000-SD		
2 PLACES	± 0.2	DRWN: AISHIKAWA 2019/03/19	DOC TYPE	DOC PART	REVISION
1 PLACE	± 0.2	APPR: KOMURAKAMI 2019/04/03	PSD	000	A
0 PLACES	± 0.2	DRAFT WHERE APPLICABLE MUST REMAIN WITHIN DIMENSIONS	MATERIAL NUMBER		SHEET NUMBER
THIRD ANGLE PROJECTION		DRAWING	CUSTOMER		1 OF 5
A3-SIZE		SERIES	SEE SHEET 5		




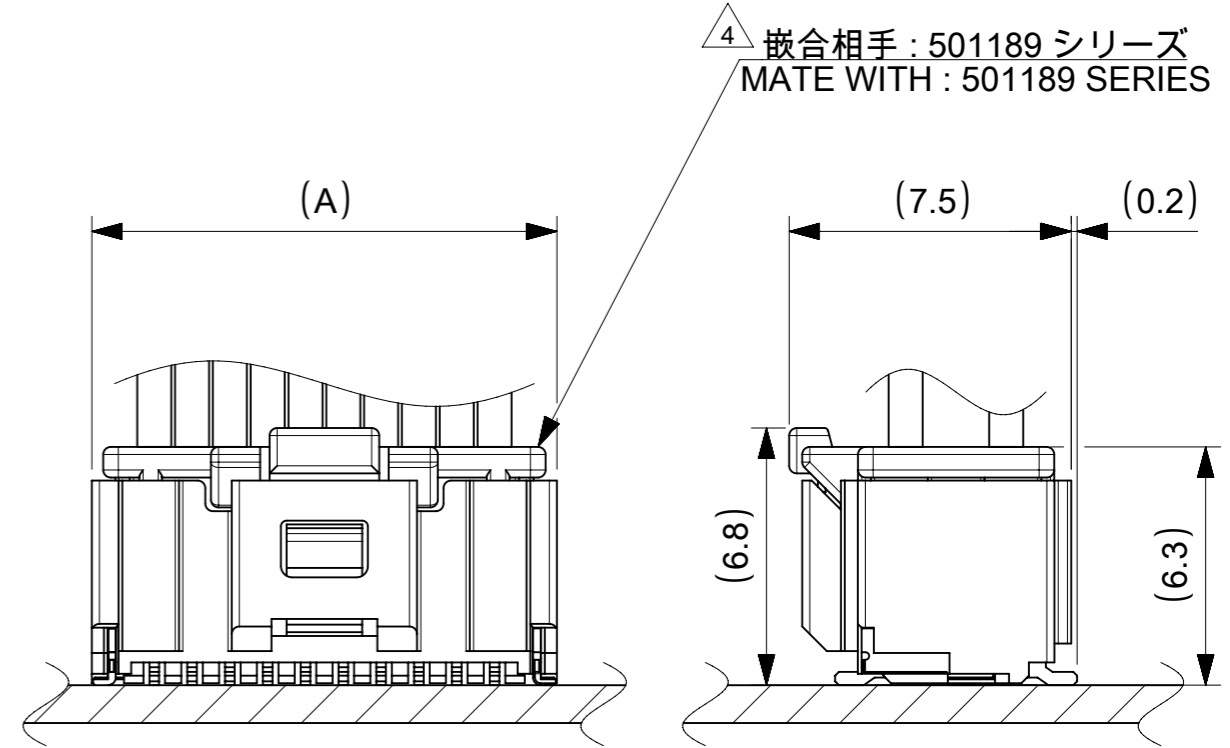
製品レイアウト  
PRODUCT LAYOUT



推奨基板レイアウト(全極数適応) : 実装面側  
(参考 : 基板厚 1.0mm, メタルマスク厚さ 0.12mm, マスク開口率100%)

POLARIZED RECOMMENDED PCB LAYOUT(APPLY TO ALL CIRCUIT) : COMPONENT SIDE  
(REFERENCE: PCB THICKNESS 1.0mm, STENCIL THICKNESS 0.12mm, APERTURE RATIO 100%)

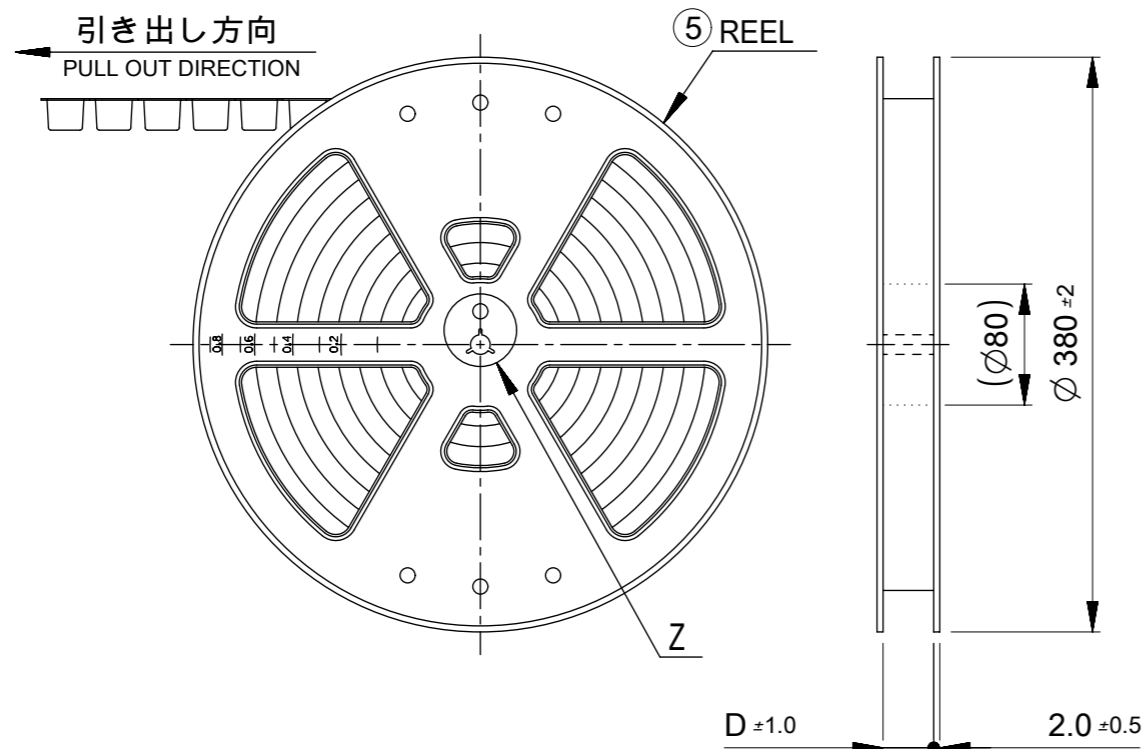
 :パターン禁止エリア  
RESTRICTED AREA  
NO PCB COMPONENTS ALLOWED



嵌合図  
MATED CONNECTORS

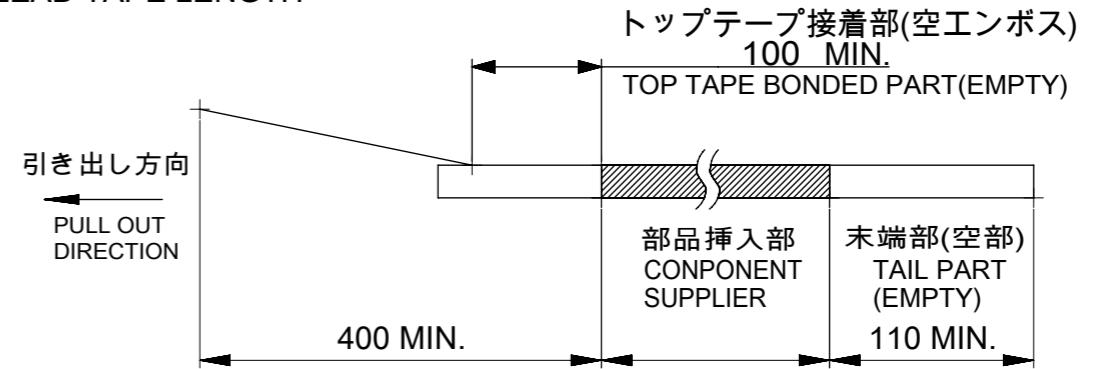
4 嵌合相手 : 501189 シリーズ  
MATE WITH : 501189 SERIES

THIS DRAWING CONTAINS INFORMATION THAT IS PROPRIETARY TO MOLEX ELECTRONIC TECHNOLOGIES, LLC AND SHOULD NOT BE USED WITHOUT WRITTEN PERMISSION		CURRENT REV DESC:		<b>molex</b>	
DIMENSION UNITS	SCALE				
mm	NTS			PICO-CLASP 1.0 W/B DUAL ROW VT SMT GOLD PLATING 0.1 MICRO-METER	
GENERAL TOLERANCES (UNLESS SPECIFIED)				PRODUCT CUSTOMER DRAWING	
ANGULAR TOL	± 3.0 °	EC NO:	614725	DOCUMENT NUMBER	
4 PLACES	± 0.2	DRWN:	AISHIKAWA 2019/03/19	5011900000-SD	
3 PLACES	± 0.2	CHK'D:	AIDA 2019/04/03	DOC TYPE	DOC PART
2 PLACES	± 0.2	APPR:	KOMURAKAMI 2019/04/03	PSD	000
1 PLACE	± 0.2	INITIAL REVISION:		REVISION	A
0 PLACES	± 0.2	DRWN:	AISHIKAWA 2019/03/19	SHEET NUMBER	
DRAFT WHERE APPLICABLE MUST REMAIN WITHIN DIMENSIONS		APPR:	KOMURAKAMI 2019/04/03	MATERIAL NUMBER	CUSTOMER
THIRD ANGLE PROJECTION		DRAWING	A3-SIZE	501190	SEE SHEET 5
SERIES		501190		2 OF 5	

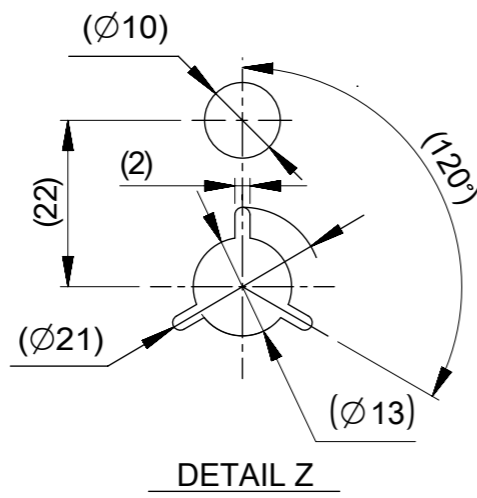


**NOTES**

- 9. 梱包数量:1100個/リール  
NUMBER OF CONNECTORS : 1100 PIECES/REEL
- 10. リードテープ長さ  
LEAD TAPE LENGTH



- 11. トップテープの剥離強度はIEC60286-3に準拠。  
TOP TAPE PEELING FORCE IS DEFINED BY IEC60286-3.
- 12. 梱包仕様書 : SPK-501190-001  
PACKAGE SPECIFICATION:
- 13. 発注番号 : SHEET 5 参照  
ORDER No. : PLEASE REFER TO SHEET 5 FOR PRODUCT LIST.



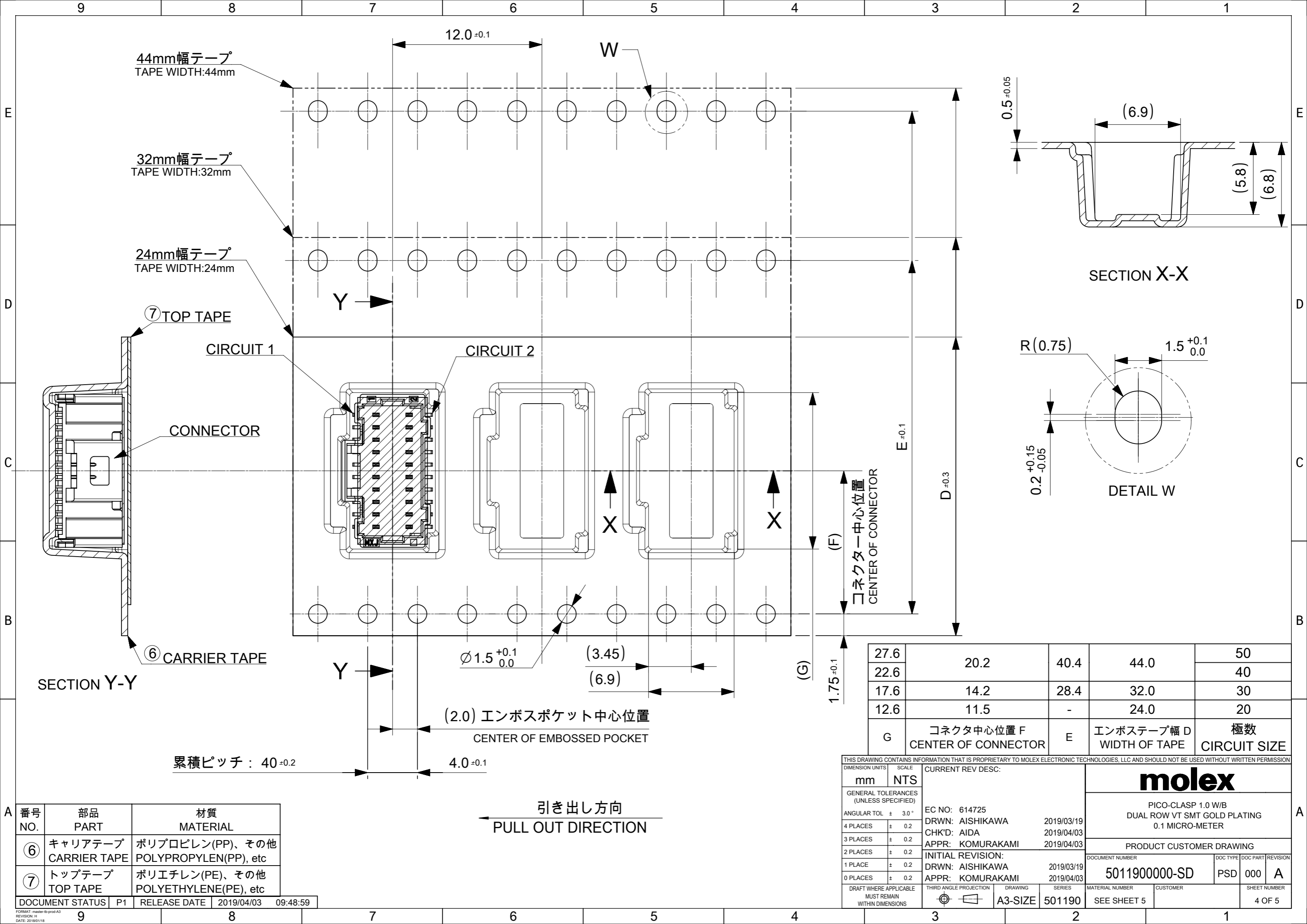
**501190**    \*\* \* \*

極数 CIRCUIT SIZE	ハウジングカラー HOUSING COLOR	製品識別番号 IDENTIFICATION NUMBER
	1:NATURAL(BEIGE)	7:EMBOSSED PACKAGE

45.5	50
	40
33.5	30
25.5	20
D	極数 CIRCUIT SIZE

THIS DRAWING CONTAINS INFORMATION THAT IS PROPRIETARY TO MOLEX ELECTRONIC TECHNOLOGIES, LLC AND SHOULD NOT BE USED WITHOUT WRITTEN PERMISSION		CURRENT REV DESC:		<b>molex</b>	
DIMENSION UNITS mm	SCALE NTS	EC NO: 614725 DRWN: AISHIKAWA 2019/03/19 CHK'D: AIDA 2019/04/03 APPR: KOMURAKAMI 2019/04/03			
GENERAL TOLERANCES (UNLESS SPECIFIED)		INITIAL REVISION:		DOCUMENT NUMBER	
ANGULAR TOL	± 3.0 °	DRWN: AISHIKAWA 2019/03/19 APPR: KOMURAKAMI 2019/04/03		5011900000-SD	
4 PLACES	± 0.2	DRAFT WHERE APPLICABLE MUST REMAIN WITHIN DIMENSIONS		DOC TYPE	DOC PART
3 PLACES	± 0.2	THIRD ANGLE PROJECTION		PSD	000
2 PLACES	± 0.2	DRAWING		REVISION	
1 PLACE	± 0.2	A3-SIZE		A	
0 PLACES	± 0.2	SERIES		SHEET NUMBER	
MATERIAL NUMBER		CUSTOMER		3 OF 5	
SEE SHEET 5		501190			

番号 NO.	部品 PART	材質 MATERIAL
⑤	リール REEL	ポリスチレン(PS) <リサイクル材を含む> POLYSTYRENE(PS) <RECYCLE MATERIAL CONTAINED>
DOCUMENT STATUS	P1	RELEASE DATE 2019/04/03 09:48:59



9 8 7 6 5 4 3 2 1

E

E

D

D

C

C

B

B

A

A

△13 製品一覧 PRODUCT LIST

HOUSING COLOR	
NATURAL(BEIGE)	
501190 5017	50
501190 4017	40
501190 3017	30
501190 2017	20
発注番号 ORDER No.	極数
梱包形態 : エンボスリール PACKAGE:EMBOSSED REEL	CIRCUIT SIZE

THIS DRAWING CONTAINS INFORMATION THAT IS PROPRIETARY TO MOLEX ELECTRONIC TECHNOLOGIES, LLC AND SHOULD NOT BE USED WITHOUT WRITTEN PERMISSION											
DIMENSION UNITS	SCALE	CURRENT REV DESC:					<b>molex</b>				
mm	NTS										
GENERAL TOLERANCES (UNLESS SPECIFIED)		EC NO: 614725					PICO-CLASP 1.0 W/B				
ANGULAR TOL ± 3.0 °		DRWN: AISHIKAWA 2019/03/19					DUAL ROW VT SMT GOLD PLATING				
4 PLACES ± 0.2		CHK'D: AIDA 2019/04/03					0.1 MICRO-METER				
3 PLACES ± 0.2		APPR: KOMURAKAMI 2019/04/03					PRODUCT CUSTOMER DRAWING				
2 PLACES ± 0.2		INITIAL REVISION:					DOCUMENT NUMBER		DOC TYPE	DOC PART	REVISION
1 PLACE ± 0.2		DRWN: AISHIKAWA 2019/03/19					5011900000-SD		PSD	000	A
0 PLACES ± 0.2		APPR: KOMURAKAMI 2019/04/03									
DRAFT WHERE APPLICABLE MUST REMAIN WITHIN DIMENSIONS		THIRD ANGLE PROJECTION	DRAWING	SERIES	MATERIAL NUMBER	CUSTOMER		SHEET NUMBER			
			A3-SIZE	501190	SEE SHEET 5			5 OF 5			

DOCUMENT STATUS	P1	RELEASE DATE	2019/04/03	09:48:59
-----------------	----	--------------	------------	----------

9 8 7 6 5 4 3 2 1

FORMAT: master-ib-prod-A3  
REVISION: 11  
DATE: 2018/01/18