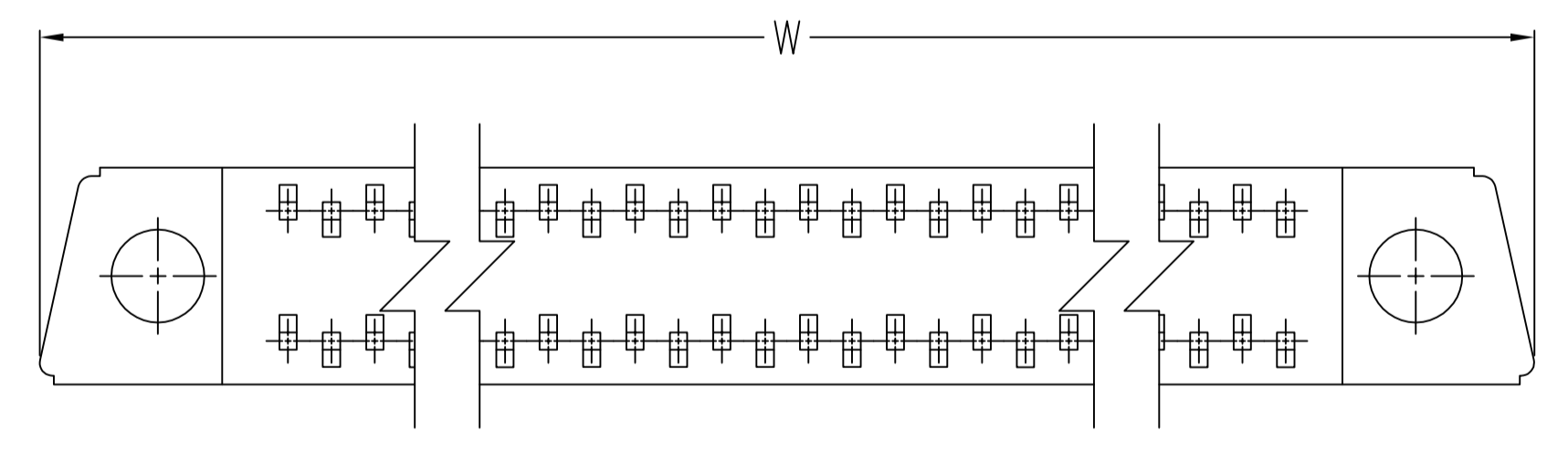
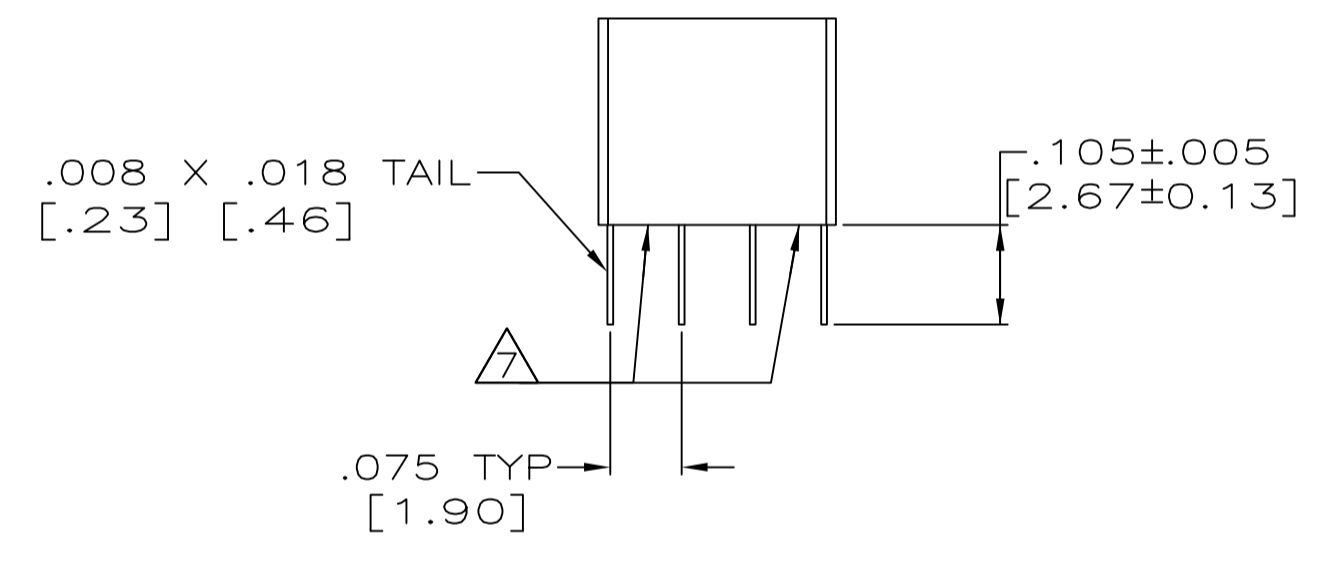
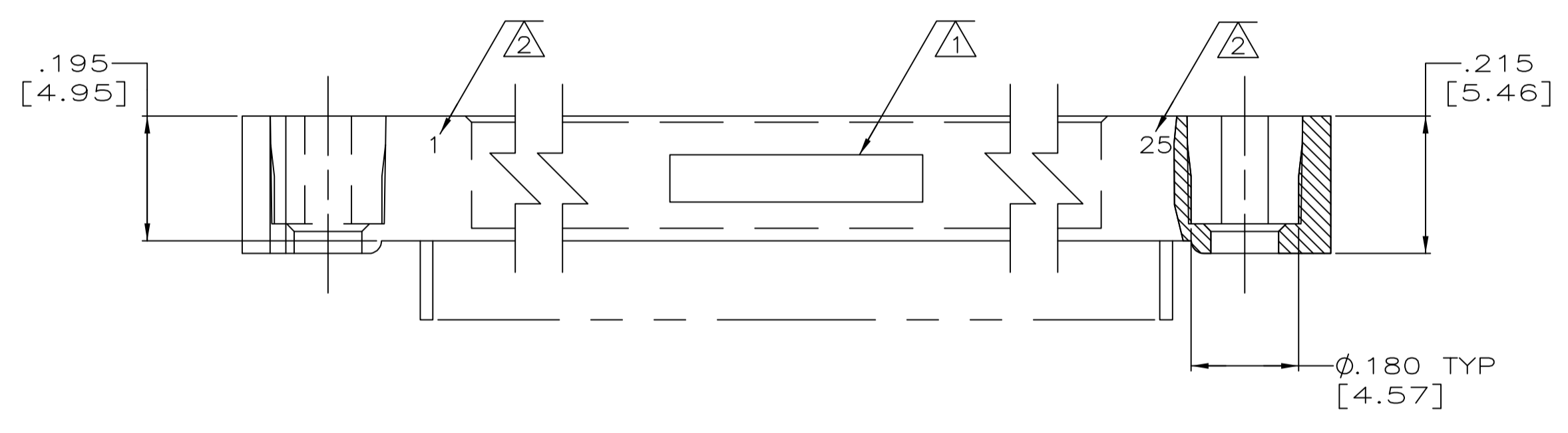
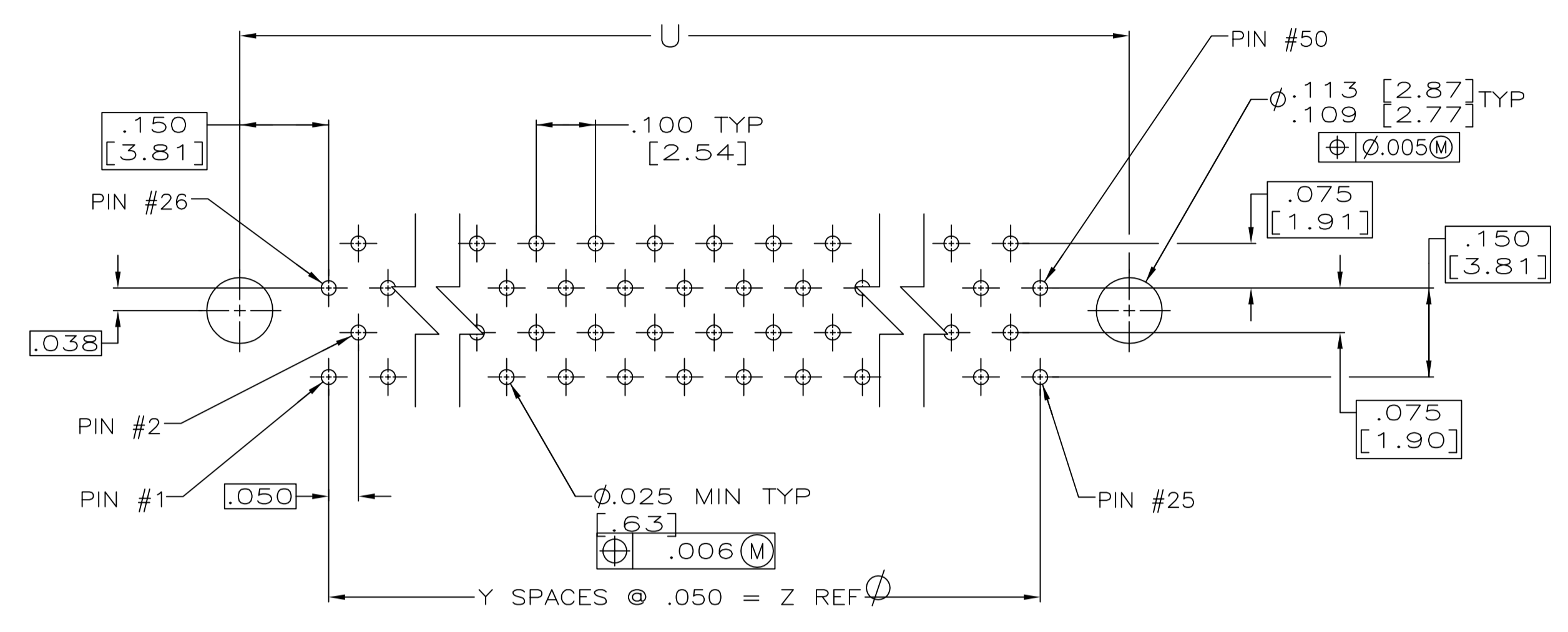
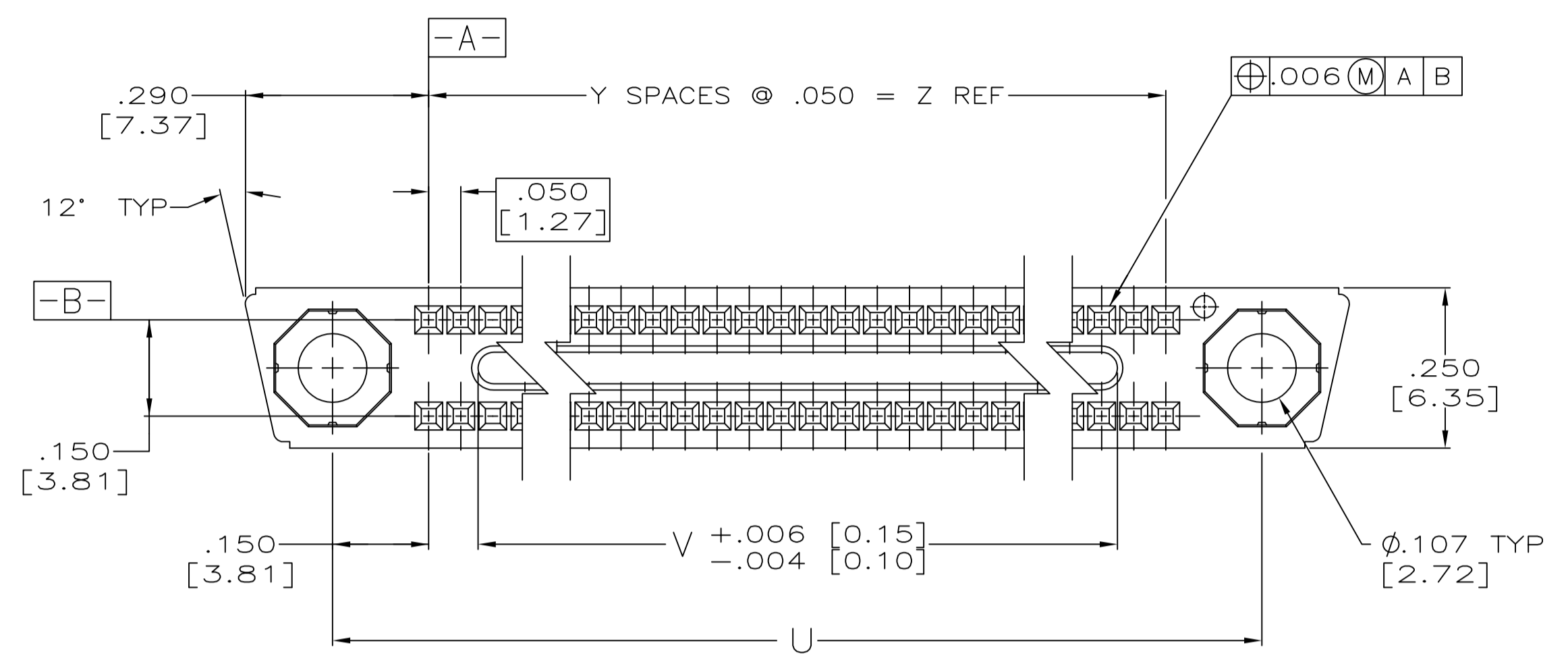


REVISIONS				
P	LTR	DESCRIPTION	DATE	OWN APVD
C		REVISED PER ECO-16-017894	17APR2017	PHM CT



- 1 AMP, PART NUMBER & DATE CODE MARKED IN THIS APPROXIMATE AREA.
- 2 NUMBERS INDICATING END POSITIONS MARKED THIS SIDE ONLY.
- 3. MEETS ALL APPLICABLE REQUIREMENTS OF MIL-C-55302.
- 4 .000050 GOLD OVER NICKEL UNDERPLATE IN CONTACT AREA, GOLD FLASH OVER NICKEL UNDERPLATE REMAINDER OF CONTACT.
- 5 HOUSING MATERIAL: LIQUID CRYSTAL POLYMER PER MIL-M-24519, GLCP-30F; COLOR: GRAY.
- 6. DIMENSIONS IN BRACKETS ARE IN MILLIMETERS. METRIC EQUIVALENTS ARE BASED UPON 1.00 INCH = 25.4 mm.
- 7 EPOXY SEALANT IS ADDED TO BOTTOM OF HOUSING.

5	1 - 25	1.200 [30.48]	24	1.790 [45.47]	1.050 [26.67]	1.500 [38.10]	50	449792-1
HOUSING MATERIAL	CONTACT IDENT NUMBERS	Z	Y	W	V	U	NUMBER OF CONTACTS	PART NUMBER
THIS DRAWING IS A CONTROLLED DOCUMENT.					OWN T. ALEXANDER 3-31-94		STE TE Connectivity	
DIMENSIONS: INCHES					D. GUTTER 3-31-94		RECEPTACLE ASSEMBLY MINI BOX, SEALED	
TOLERANCES UNLESS OTHERWISE SPECIFIED:					APVD D. GUTTER 3-31-94		NAME	
0 PLC ± -					PRODUCT SPEC		APPLICATION SPEC	
1 PLC ± -					APPLIC. SPEC		SIZE CAGE CODE DRAWING NO	
2 PLC ± -					MATERIAL		RESTRICTED TO	
3 PLC ± .010 [0.25]					FINISH		SCALE 5:1 SHEET 1 OF 1 REV C	
4 PLC ± -					CUSTOMER DRAWING		A1 00779 C=449792	
ANGLES ± -								
FINISH								