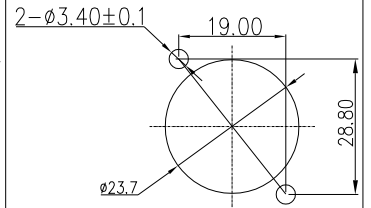
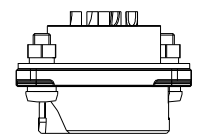
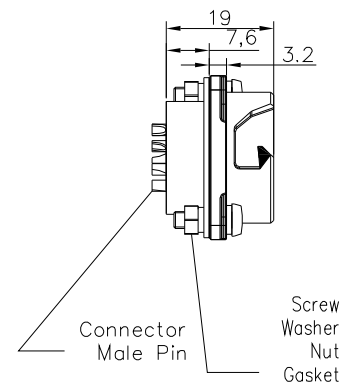
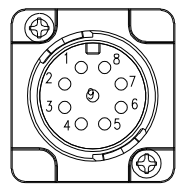


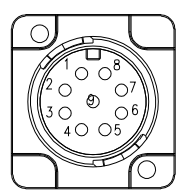
REV.	ECN NO.	DESCRIPTION	SIGN	DATE
C1	N/A	INITIAL DRAWING	Liu	2020/05/19



RECOMMENDED PANEL Cut-Out

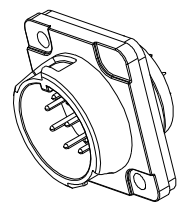


22XXX536-01
Pin Number



9 Pin
P/N: 24009536-01
Pin Assignments Front View

- Specification:
- 1.Operation Temperature: -45°C~105°C.
 - 2.Insulation Resistance:100MΩ at DC500V.
 - 3.Contact Resistance:<10mΩ.
 - 4.Withstand Voltage: 1500V AC
 - 5.Operating Current:5A
 - 6.Operating Voltage: AC 125V
 - 7.Waterproof Rate:IP67 (Mated)
 - 8.Housing:Nylon, Black
 - 9.Male Pin:Copper Alloy, Gold Plated
 - 10.Gasket: Silicon Gray
 - 11.RoHS Compliant.
 - 12.Mating Cap P/N:806-00058-00



CHOGORI

UNIT:mm	DESCRIPTION	PART NO	DRAWN BY	DATE
TOLERANCE .X ±0.25 .XX ±0.15 .XXX ±0.05 ANGLES ±1°	Large Series Push Lock Female socket With Male Pin	24009536-01	Liu	2020/05/19
SCALE: 1:1	SHEET 1 OF 1	DWG NO	CHECKED BY	DATE
REV. C1	SIZE A4	CUSTOMER	Mo	2020/05/19
	* :Inspection Item		APPROVED BY	DATE
			Adley	2020/05/19

THIS INFORMATION IS CONFIDENTIAL AND IS DISCLOSED TO YOU ON CONDITION THAT NO FURTHER DISCLOSURE IS MADE BY YOU TO OTHER THAN CHOGORI PERSONNEL WITHOUT AUTHORIZATION FROM CHOGORI CORP.