

20  
RELEASED FOR PUBLICATION

THIS DRAWING IS UNPUBLISHED.


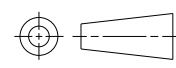
ALL RIGHTS RESERVED.

© COPYRIGHT 20 BY -

REVISIONS

P	LTR	DESCRIPTION	DATE	DWN	APVD
	D I	REVISED	26FEB2014	BC	RP
	E	REVISED PER ECO-19-009248	11JUL2019	AP	SY

1. SEE RESTRICTED CUSTOMER DRAWING 2065917-R.

DIMENSIONS: mm		DWN W SOURBEER 22FEB2010	MATERIAL -	FINISH SEE TABLE
TOLERANCES UNLESS OTHERWISE SPECIFIED:		CHK R PATTERSON 22FEB2010	 TE Connectivity	
0 PLC ±- 1 PLC ±- 2 PLC ±- 3 PLC ±- 4 PLC ±- ANGLES ±-		APVD R PATTERSON 22FEB2010		
		PRODUCT SPEC -	NAME HEADER ASSEMBLY, OPEN ENDED, 4 PAIR 10 COLUMN	
		APPLICATION SPEC -	SIZE A4	CAGE CODE 00779
		WEIGHT -	DRAWING NO C-2065917	RESTRICTED TO -
		Customer Drawing		SCALE 10:1 SHEET 1 OF 1 REV E