

**MATERIALS AND FINISHES**

**BODY: BERYLLIUM COPPER**  
**PLATED GOLD (50µ-in MIN) OVER NICKEL (50µ-in MIN)**

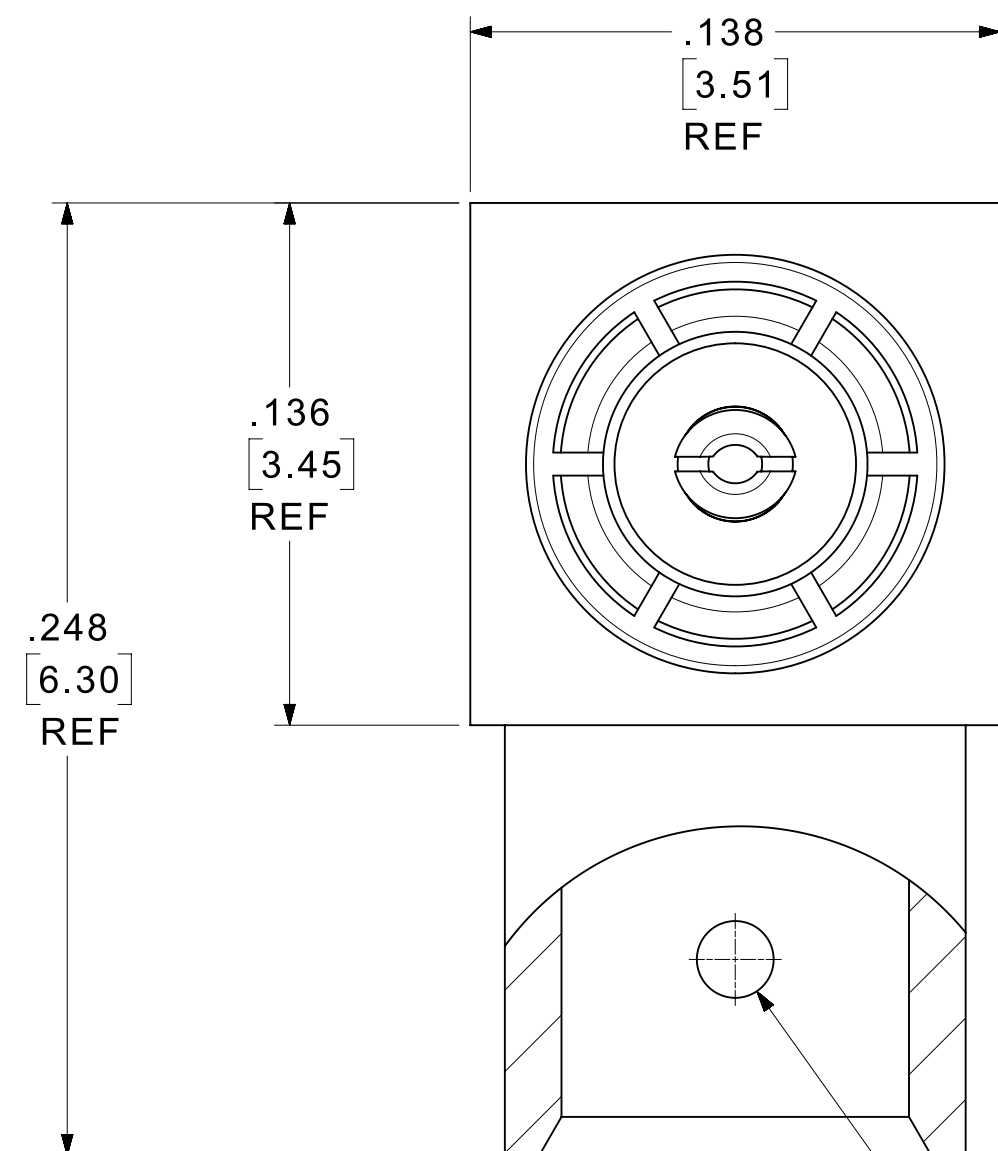
**CONTACT: BERYLLIUM COPPER**  
**PLATED GOLD (50µ-in MIN) OVER NICKEL (100µ-in MIN)**

**CAP: BRASS**  
**PLATED GOLD (30µ-in MIN) OVER NICKEL (100µ-in MIN)**

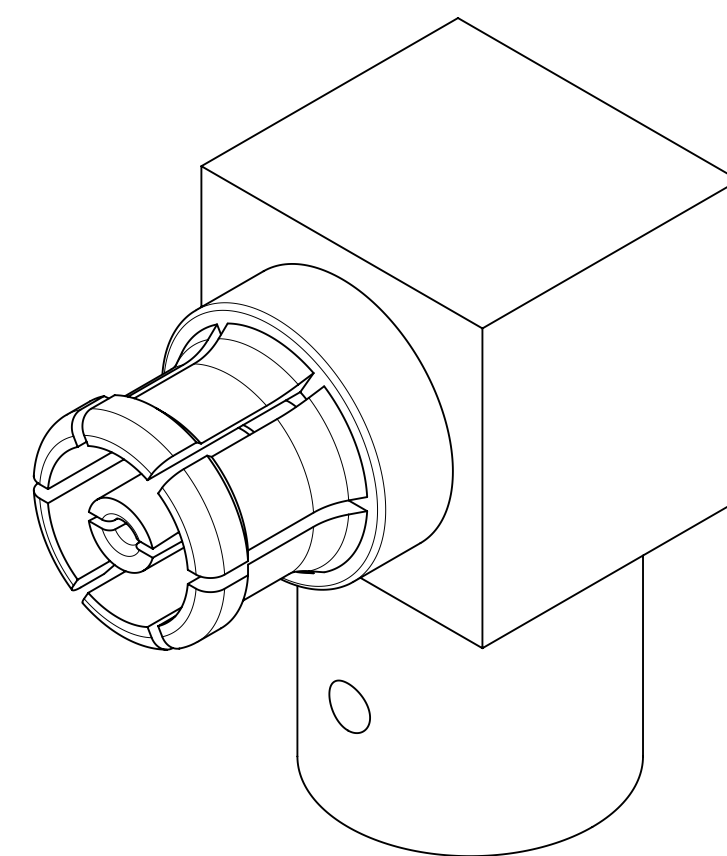
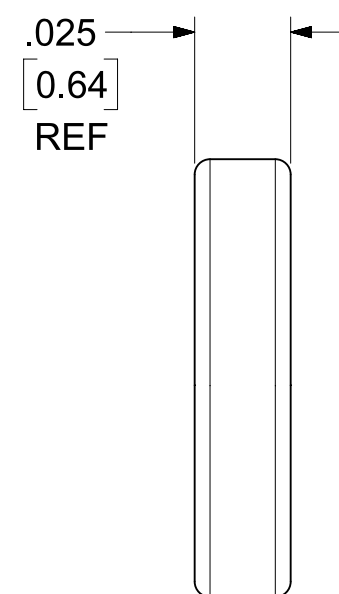
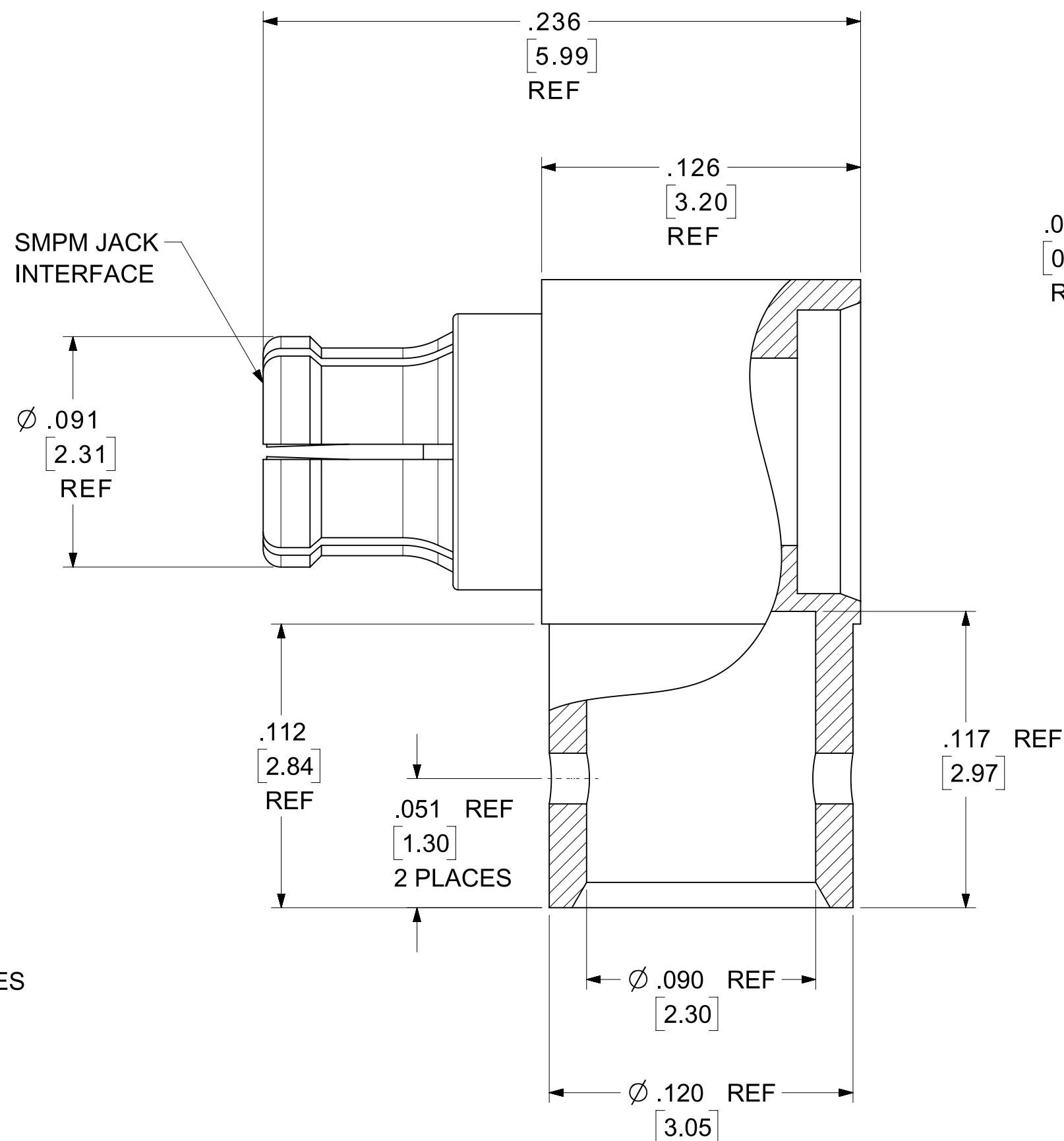
**INSULATOR: PTFE**

**ELECTRICAL**

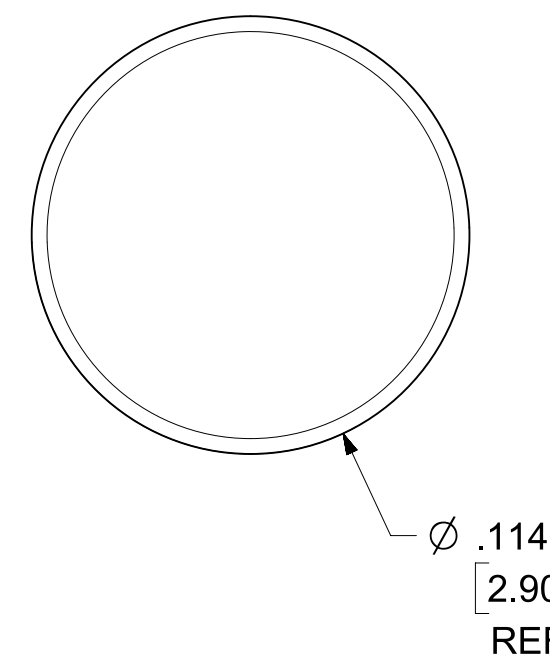
**VSWR: 1.20 MAX DC - 12 GHz**  
**1.30 MAX 12.1 - 18 GHz**



WEEP HOLES  
 2 PLACES  
 180° APART



CAP



73300-0191	TRAY	240 PCS
73300-0190	TRAY	3200 PCS
PART NO	PACKAGING	QUANTITY / BOX

AS-89675-5100	APPLICATION SPECIFICATION
PS-89675-3730	PRODUCT SPECIFICATION
MIL-STD-348, FIG. 328.1	INTERFACE
SPECIFICATION	DESCRIPTION
DOCUMENT STATUS	P1
RELEASE DATE	2018/06/29 06:14:51

C5	2018/06/21	ADD -0191 PART NO. ADD PACKAGE QUANTITY
REV	DATE	DESCRIPTION

SYMBOLS		THIS DRAWING CONTAINS INFORMATION THAT IS PROPRIETARY TO MOLEX ELECTRONIC TECHNOLOGIES, LLC AND SHOULD NOT BE USED WITHOUT WRITTEN PERMISSION		CURRENT REV DESC: REVISED	
▽ = 0	DIMENSION UNITS	SCALE	EC NO: 178294		
▽ = 0	INCH	NTS	DRWN: JSU18 2018/06/21		
▽ = 0	GENERAL TOLERANCES (UNLESS SPECIFIED)		CHK'D: YCHENG 2018/06/29		
▽ = 0	4 PLACES ±	±	APPR: YCHENG 2018/06/29		
▽ = 0	3 PLACES ±	± 0.005	INITIAL REVISION:		
▽ = 0	2 PLACES ±	± 0.13 ± 0.01	DRWN: AROBERTSON 2013/10/10		
▽ = 0	1 PLACE ±	± 0.25 ±	APPR: WSPINK 2014/02/26		
▽ = 0	0 PLACES ±	±	ANGULAR TOL ± 2.0°		
▽ = 0	DRAFT WHERE APPLICABLE MUST REMAIN WITHIN DIMENSIONS		THIRD ANGLE PROJECTION	DRAWING	SERIES
▽ = 0			C-SIZE	73300	DOCUMENT NUMBER
				SD-73300-019	
				DOC TYPE	DOC PART
				PSD	001
				REVISION	C5
				MATERIAL NUMBER	CUSTOMER
				SD-73300-019	
				SHEET NUMBER	
				1 OF 1	

**molex**

SMPM JACK RA FOR  
 086 CABLES SMPM-JC, EWR-10832-B

PRODUCT CUSTOMER DRAWING

DOCUMENT NUMBER: SD-73300-019  
 DOC TYPE: PSD  
 DOC PART: 001  
 REVISION: C5

MATERIAL NUMBER: SD-73300-019  
 CUSTOMER: [Blank]  
 SHEET NUMBER: 1 OF 1