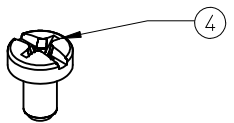
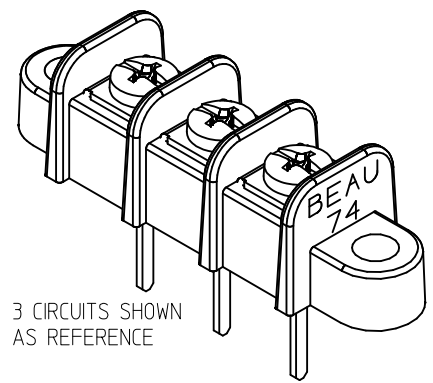
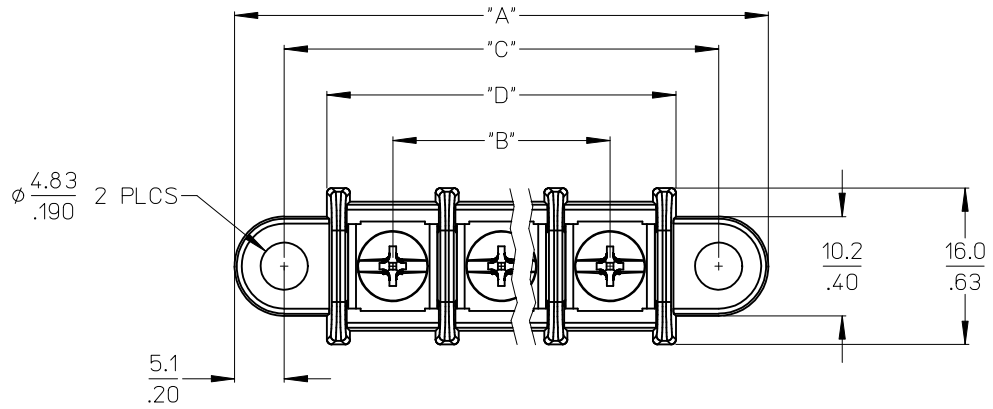
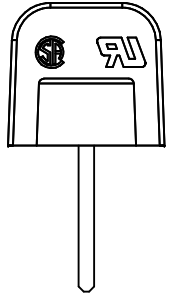


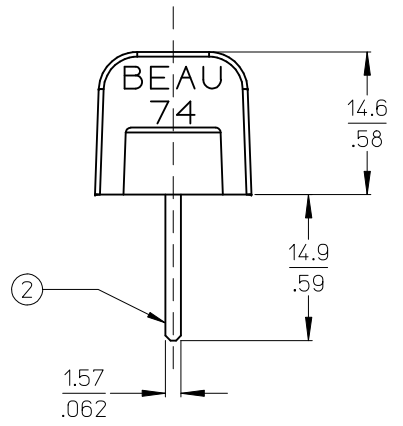
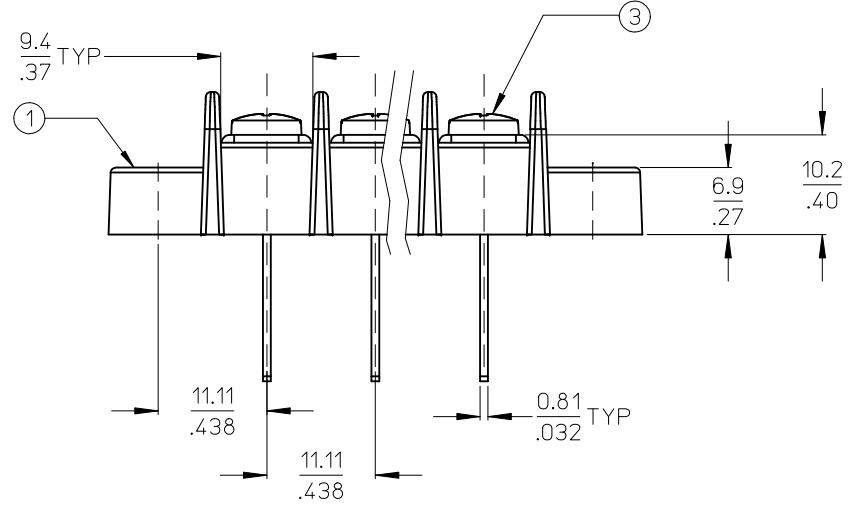
REF. -50 OPT. SCREW
(WHERE APPLICABLE)



REF. -49 OPT. SCREW
(WHERE APPLICABLE)



3 CIRCUITS SHOWN
AS REFERENCE



NOTES:

- 1. MATERIAL: SEE TABLE
- 2. FINISHES: SEE TABLE
- 3. PRODUCT SPECIFICATION: NOT REQUIRED
- 4. "XX" REFERS TO THE QTY. OF CIRCUITS
- 5. ROHS COMPLIANT

5	XX	SCREW #6-32X.250 PAN PHSL -50 OPT.	STEEL	ZN, CLEAR CHROMATE
4	XX	SCREW #6-32X.250 BHD PHSL -49 OPT.	BRASS	NICKEL PLATE
3	XX	SCREW #6-32X.250 BHD PHSL (STD)	STEEL	ZN, CLEAR CHROMATE
2	XX	TERM WW 6C SN/B	BRASS	TIN PLATE
1	1	SR BTS CB MOMTG	POLYESTER (PBT)	BLACK
ITEM	QTY.	DESCRIPTION	MATERIAL	FINISH

INITIAL RELEASE
EC NO: WNA2011-0003
DRWN: JENC INAS 2010/07/16
CHKD: 2010/08/16
APPR: JMACNEIL 2010/08/18

QUALITY SYMBOLS
▽=0
▽=0

GENERAL TOLERANCES (UNLESS SPECIFIED)

	mm	INCH
4 PLACES	± ---	± ---
3 PLACES	± ---	± .005
2 PLACES	± 0.13	± .01
1 PLACE	± 0.3	± ---

ANGULAR ± 2 °

DRAFT WHERE APPLICABLE
MUST REMAIN
WITHIN DIMENSIONS

DIMENSION STYLE
MM/IN

DRAWN BY
AHIDALGO

DATE
2007/03/07

CHECKED BY
JENCINAS

DATE
2007/03/07

APPROVED BY
JMACNEIL

DATE
2007/03/07

MATERIAL NO.

SEE SHEET 2

SCALE
2:1

DESIGN UNITS
INCH

THIRD ANGLE PROJECTION

MOLEX

TITLE
11.1MM/.438 SR, BTS
ASSEMBLY LOW PROFILE
-49 -50

MOLEX INCORPORATED

DOCUMENT NO.
SD-38741-004

SHEET NO.
1 OF 2

THIS DRAWING CONTAINS INFORMATION THAT IS PROPRIETARY TO MOLEX INCORPORATED AND SHOULD NOT BE USED WITHOUT WRITTEN PERMISSION

NO. OF CIRCUITS "XX"	DIM. "A"		DIM. "B"		DIM. "C"		DIM. "D"		ASSEMBLY MATERIAL No. STD.	ASSEMBLY MATERIAL No. -49 OPT.	ASSEMBLY MATERIAL No. -50 OPT.
	MM	INCH	MM ±0.30	INCH ±.010	MM ±0.30	INCH ±.010	MM	INCH			
2	43.4	1.71	11.13	0.438	33.35	1.313	24.6	0.97	387412102	387412702	387413302
3	54.5	2.15	22.26	0.876	44.48	1.751	35.8	1.41	387412103	387412703	387413303
4	65.7	2.59	33.39	1.314	55.61	2.189	46.9	1.85	387412104	387412704	387413304
5	76.8	3.02	44.52	1.752	66.74	2.627	58.0	2.28	387412105	387412705	387413305
6	87.9	3.46	55.65	2.190	77.87	3.065	69.2	2.72	387412106	387412706	387413306
7	99.1	3.90	66.78	2.628	89.00	3.503	80.3	3.16	387412107	387412707	387413307
8	110.2	4.34	77.91	3.066	100.13	3.941	91.4	3.60	387412108	387412708	387413308
9	121.3	4.78	89.04	3.504	111.26	4.379	102.6	4.04	387412109	387412709	387413309
10	132.4	5.21	100.17	3.942	122.39	4.817	113.7	4.47	387412110	387412710	387413310
11	143.6	5.65	111.30	4.380	133.52	5.255	124.8	4.91	387412111	387412711	387413311
12	154.7	6.09	122.43	4.818	144.65	5.693	135.9	5.35	387412112	387412712	387413312
13	165.8	6.53	133.56	5.256	155.78	6.131	147.1	5.79	387412113	387412713	387413313
14	177.0	6.97	144.69	5.694	166.91	6.569	158.2	6.23	387412114	387412714	387413314
15	188.1	7.40	155.82	6.132	178.04	7.007	169.3	6.66	387412115	387412715	387413315
16	199.2	7.84	166.95	6.570	189.17	7.445	180.5	7.10	387412116	387412716	387413316
17	210.4	8.28	178.08	7.008	200.30	7.883	191.6	7.54	387412117	387412717	387413317
18	221.5	8.72	189.21	7.446	211.43	8.321	202.7	7.98	387412118	387412718	387413318
19	232.6	9.16	200.34	7.884	222.56	8.759	213.9	8.42	387412119	387412719	387413319
20	243.7	9.59	211.47	8.322	233.69	9.197	225.0	8.85	387412120	387412720	387413320
21	254.9	10.03	222.60	8.760	244.82	9.635	236.1	9.29	387412121	387412721	387413321
22	266.0	10.47	233.73	9.198	255.95	10.073	247.2	9.73	387412122	387412722	387413322
23	277.1	10.91	244.86	9.636	267.08	10.511	258.4	10.17	387412123	387412723	387413323
24	288.3	11.35	255.99	10.074	278.21	10.949	269.5	10.61	387412124	387412724	387413324
25	299.4	11.78	267.12	10.512	289.34	11.387	280.6	11.04	387412125	387412725	387413325
26	310.5	12.22	278.25	10.950	300.47	11.825	291.8	11.48	387412126	387412726	387413326
27	321.7	12.66	289.38	11.388	311.60	12.263	302.9	11.92	387412127	387412727	387413327
28	332.8	13.10	300.51	11.826	322.73	12.701	314.0	12.36	387412128	387412728	387413328
29	343.9	13.54	311.64	12.264	333.86	13.139	325.2	12.80	387412129	387412729	387413329
30	355.0	13.97	322.77	12.702	344.99	13.577	336.3	13.23	387412130	387412730	387413330

SEE SHEET ONE EC NO: WNA2011-0003 DRAWN: JENC INAS 2010/07/16 CHKD: JMACNEIL 2010/08/16 APPR: JMACNEIL 2010/08/16 A	QUALITY SYMBOLS ▽=0 ▽/∠=0 DESCRIPTION	GENERAL TOLERANCES (UNLESS SPECIFIED)		DIMENSION STYLE MM/IN		SCALE 2:1	DESIGN UNITS INCH	THIRD ANGLE PROJECTION
		4 PLACES ± --- ± --- 3 PLACES ± --- ± .005 2 PLACES ± 0.13 ± .01 1 PLACE ± 0.3 ± --- ANGULAR ± 2°	DRAWN BY AHIDALGO	DATE 2007/03/07	TITLE 11.1MM/.438 SR, BTS ASSEMBLY LOW PROFILE -49 -50			
		DRAFT WHERE APPLICABLE MUST REMAIN WITHIN DIMENSIONS	CHECKED BY JENC INAS	DATE 2007/03/07				
		SEE CHART	APPROVED BY JMACNEIL	DATE 2007/03/07	MOLEX INCORPORATED DOCUMENT NO. SD-38741-004			
SIZE B	THIS DRAWING CONTAINS INFORMATION THAT IS PROPRIETARY TO MOLEX INCORPORATED AND SHOULD NOT BE USED WITHOUT WRITTEN PERMISSION		SHEET NO. 2 OF 2					