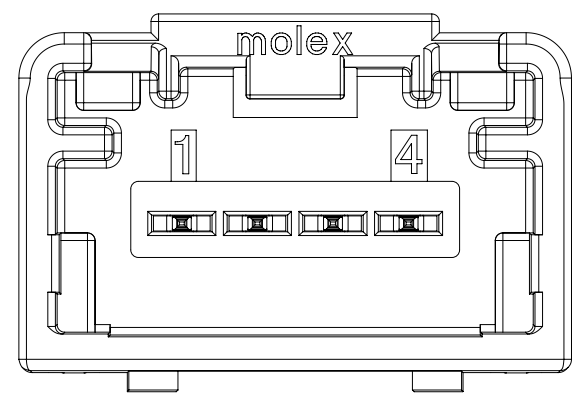
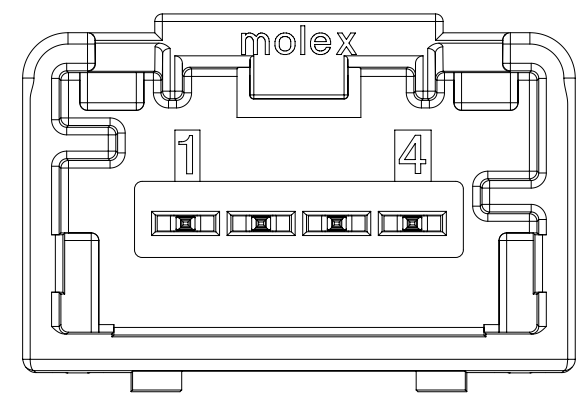


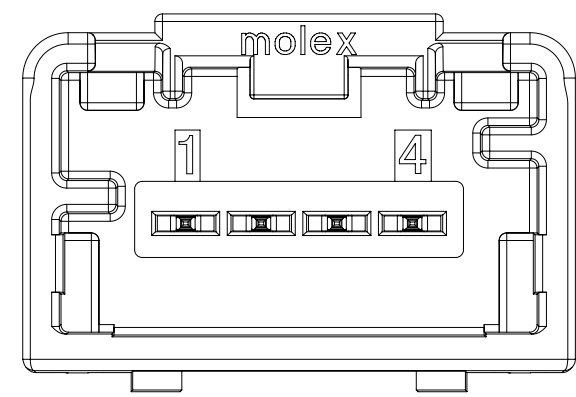
4 CIRCUIT VERTICAL HEADER  
POLARIZATION OPTION A



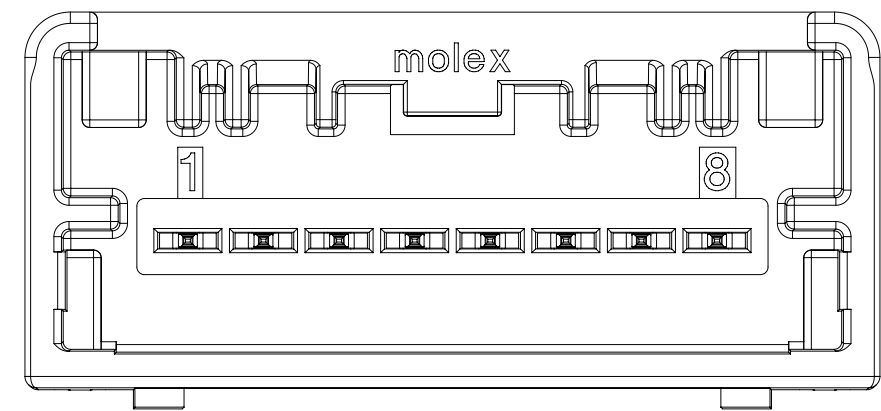
4 CIRCUIT VERTICAL HEADER  
POLARIZATION OPTION B



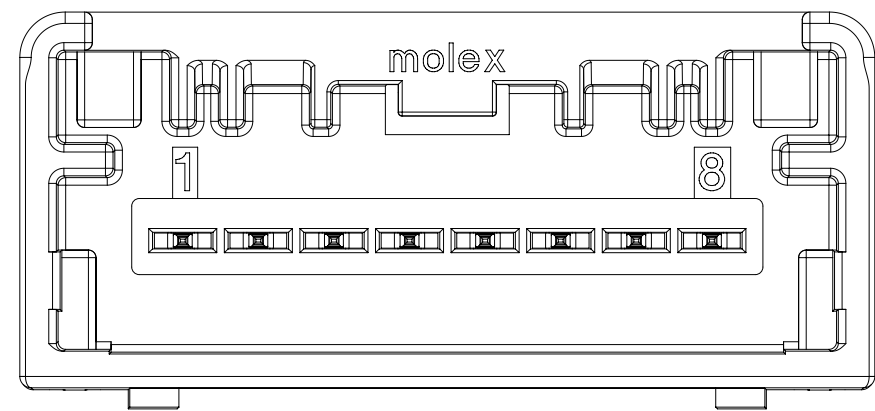
4 CIRCUIT VERTICAL HEADER  
POLARIZATION OPTION C



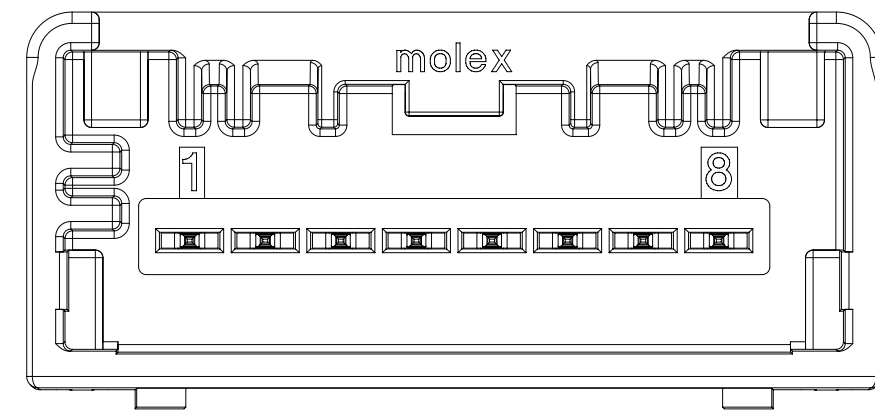
4 CIRCUIT VERTICAL HEADER  
POLARIZATION OPTION D



8 CIRCUIT USCAR VERTICAL HEADER  
POLARIZATION OPTION A



8 CIRCUIT USCAR VERTICAL HEADER  
POLARIZATION OPTION B



8 CIRCUIT USCAR VERTICAL HEADER  
POLARIZATION OPTION C

NOTES: VALID UNLESS OTHERWISE SPECIFIED

1. GENERAL:
  - a. APPLICATION SPECIFICATION SEE: AS-34791-020
  - b. PRODUCT SPECIFICATION SEE: PS-34791-020
  - c. PACKAGING SPECIFICATION PER MOLEX DRAWING: SEE CHART
  - d. SOLDERABILITY PER SMES-152
  - e. PARTS MUST BE IN COMPLIANCE TO MOLEX CHEMICAL SUBSTANCES FOR PRODUCTS AND PACKAGING SPECIFICATION: QEHS-699000-300
  - f. DATA MUST BE SUBMITTED UNDER THE MOLEX PART NUMBER TO IMDS (COMPANY ID#13255)
  - g. FLAMMABILITY REQUIREMENT: PER ISO3795 OR GM3191
  - h. VISUAL DEFECTS SHALL MEET COSMETIC STANDARD PS-45499-002 (Class B)
2. DESIGN - MATERIALS:
  - a. SHROUD (PLASTIC HOUSING): SPS 30% GF, 20% REGRIND MAX PER WEIGHT
  - b. BLADES:
    - BASE METAL: C260 BRASS
    - PLATING REQUIREMENTS:
      - TIN OVER NICKEL:
      - UNDERPLATING:
      - OVERALL NICKEL
      - OVERPLATING:
      - OVERALL TIN
3. DESIGN - GEOMETRY:
  - a. THIS IS A 100% CAD GENERATED PART. THE CAD MATHEMATICAL DATA IS THE MASTER FOR THIS PART. FOR DIMENSIONAL OR ANY INFORMATION NOT SHOWN ON THIS DRAWING, ANALYZE THE CAD MODEL.
  - b. GEOMETRIC DIMENSIONS AND TOLERANCES PER ASME Y14.5M - 2009
  - c. GENERAL TOLERANCES:
    - LINEAR: SEE TITLE BLOCK
    - ANGULAR: ±3°
  - d. EDGES AND UNDIMENSIONED DETAILS PER ISO13715
  - e. CORNERS SHOWN AS SHARP TO BE R 0.1 MAX
  - f. LETTERING SHALL BE 0.10 MAX RAISED. THIS INCLUDES RECYCLING CODE, PLANT AND CAVITY ID, VENDOR ID, AND CIRCUIT ID.

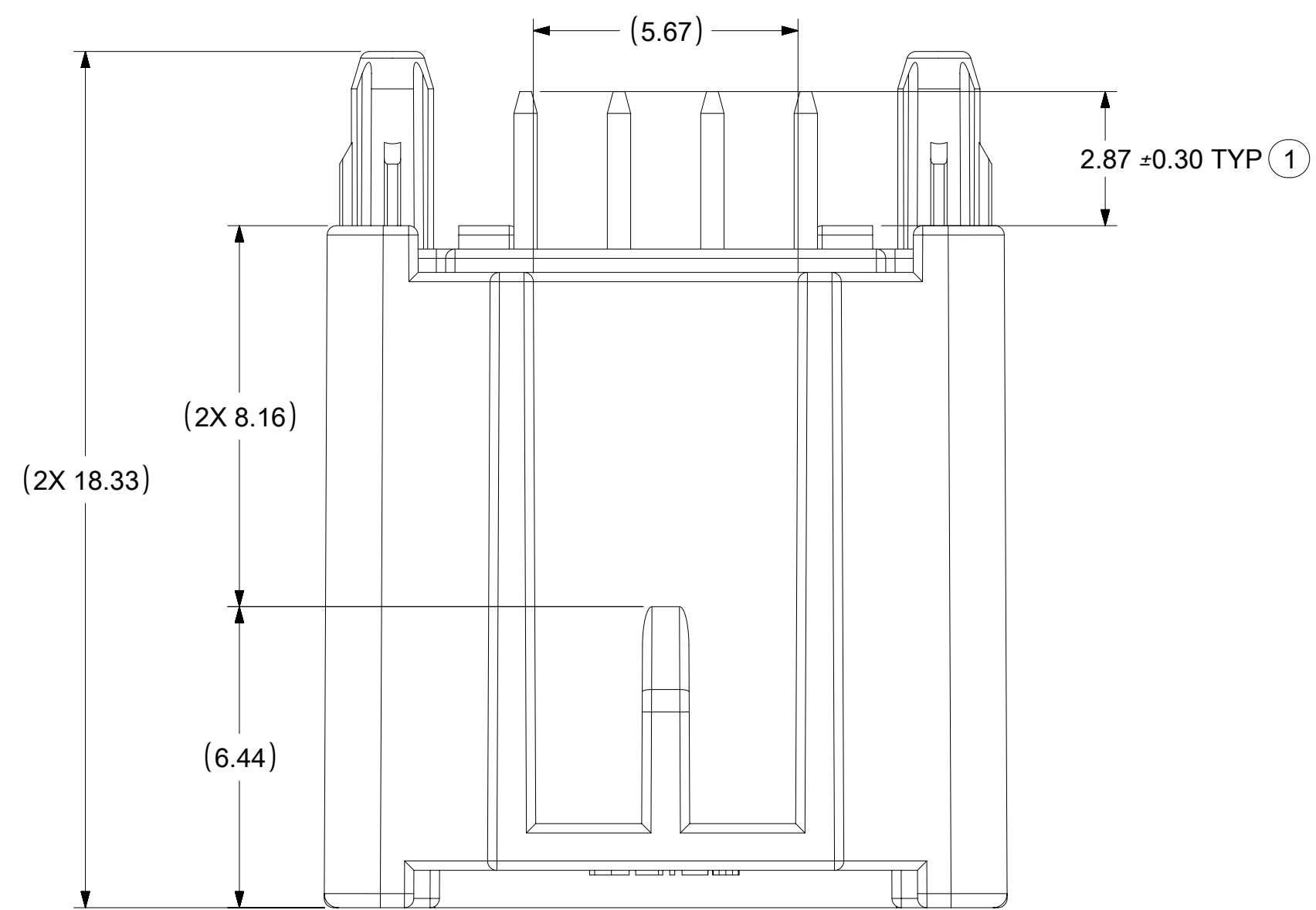
MINI50 VERTICAL HEADER ASSEMBLIES

MATERIAL NUMBER			CONFIGURATION	CIRCUITS	VOIDED CIRCUITS	POL	COLOR	BLADE PLATING	MATING COMPONENT	
TAPE AND REEL PACKAGING PK-47799-0001	TUBE PACKAGING PK-31301-688	TRAY PACKAGING PK-31301-440							UN-BRIDGED	BRIDGED
34792-8040	34792-9040	34792-0040	USCAR	4	N/A	A	BLACK	TIN	34791-0040	34791-0140
34792-8041	34792-9041	34792-0041	USCAR	4	N/A	B	GRAY	TIN	34791-0041	34791-0141
34792-8042	34792-9042	34792-0042	USCAR	4	N/A	C	DARK GRAY	TIN	34791-0042	34791-0142
34792-8043	34792-9043	34792-0043	USCAR	4	N/A	D	GREEN	TIN	34791-0043	34791-0143
34792-8080	34792-9080	34792-0080	USCAR	8	N/A	A	BLACK	TIN	34791-0080	34791-0180
N/A	N/A	34792-0085	USCAR	8	2,3,6,7					
34792-8081	34792-9081	34792-0081	USCAR	8	N/A	B	GRAY	TIN	34791-0081	34791-0181
N/A	N/A	34792-2081	USCAR	8	2,3,6,7					
34792-8082	34792-9082	34792-0082	USCAR	8	N/A	C	DARK GRAY	TIN	34791-0082	34791-0182
N/A	N/A	34792-0086	USCAR	8	2,3,4,5,6,7	A	BLACK	TIN	34791-0080	34791-0180
N/A	N/A	34792-0087	USCAR	8	2,3,4,5,6,7	B	GRAY	TIN	34791-0081	34791-0181

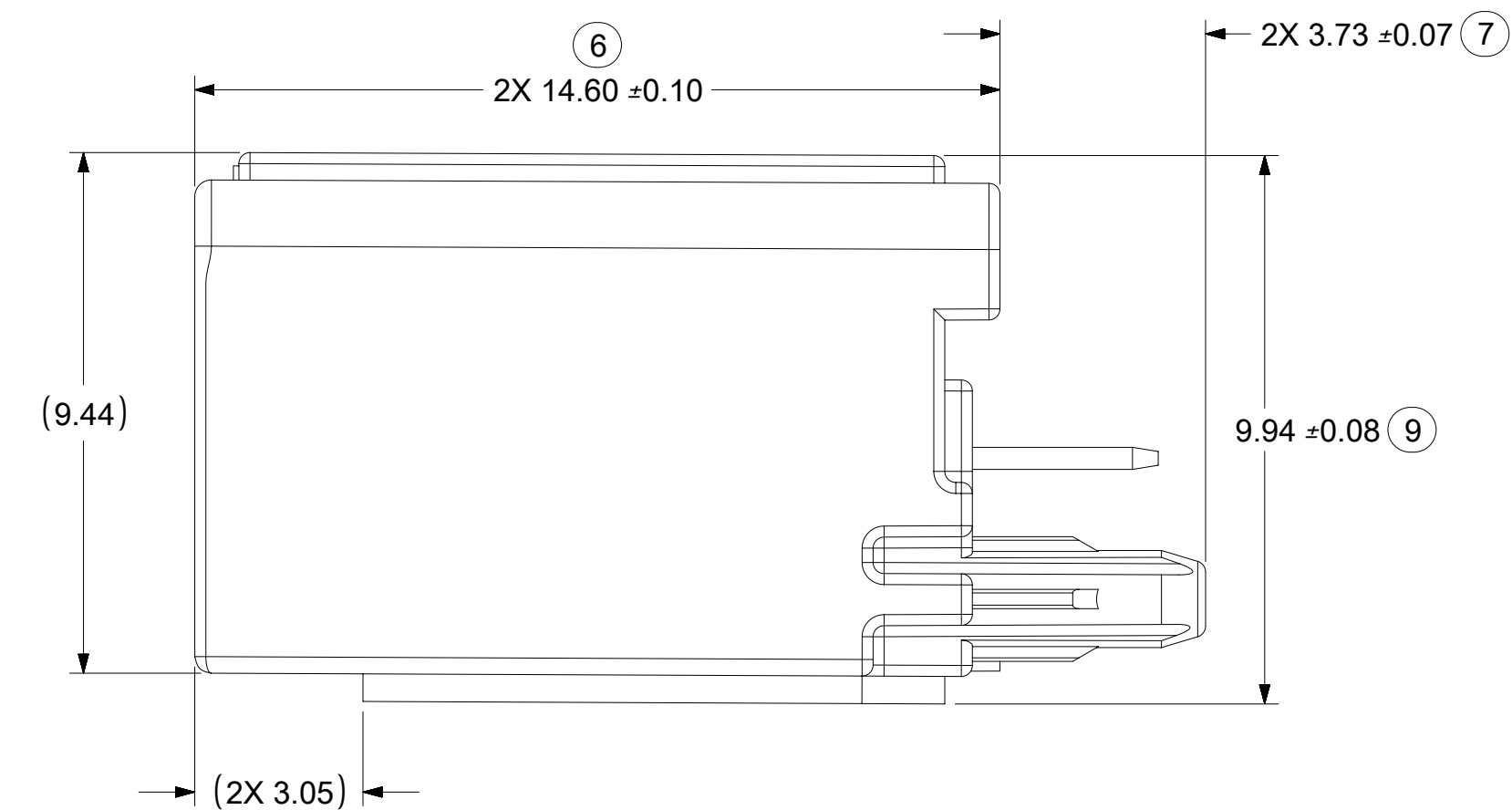
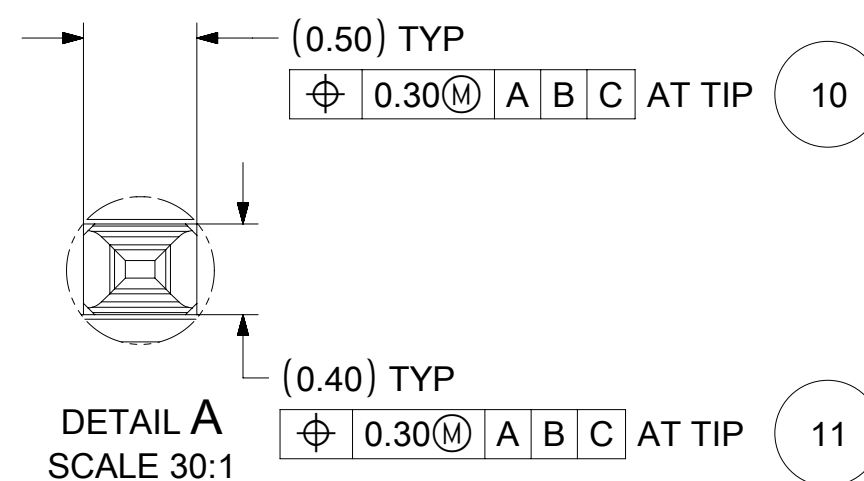
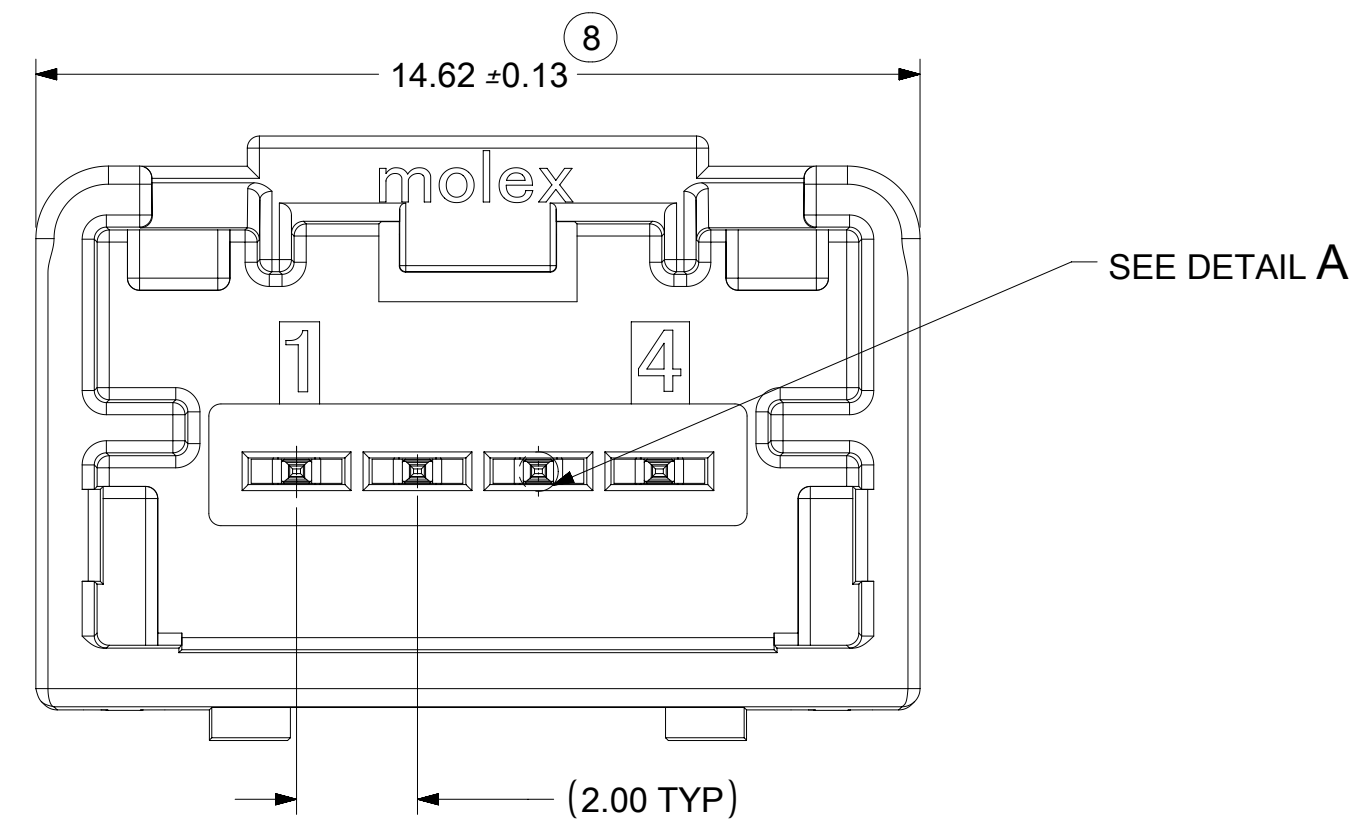
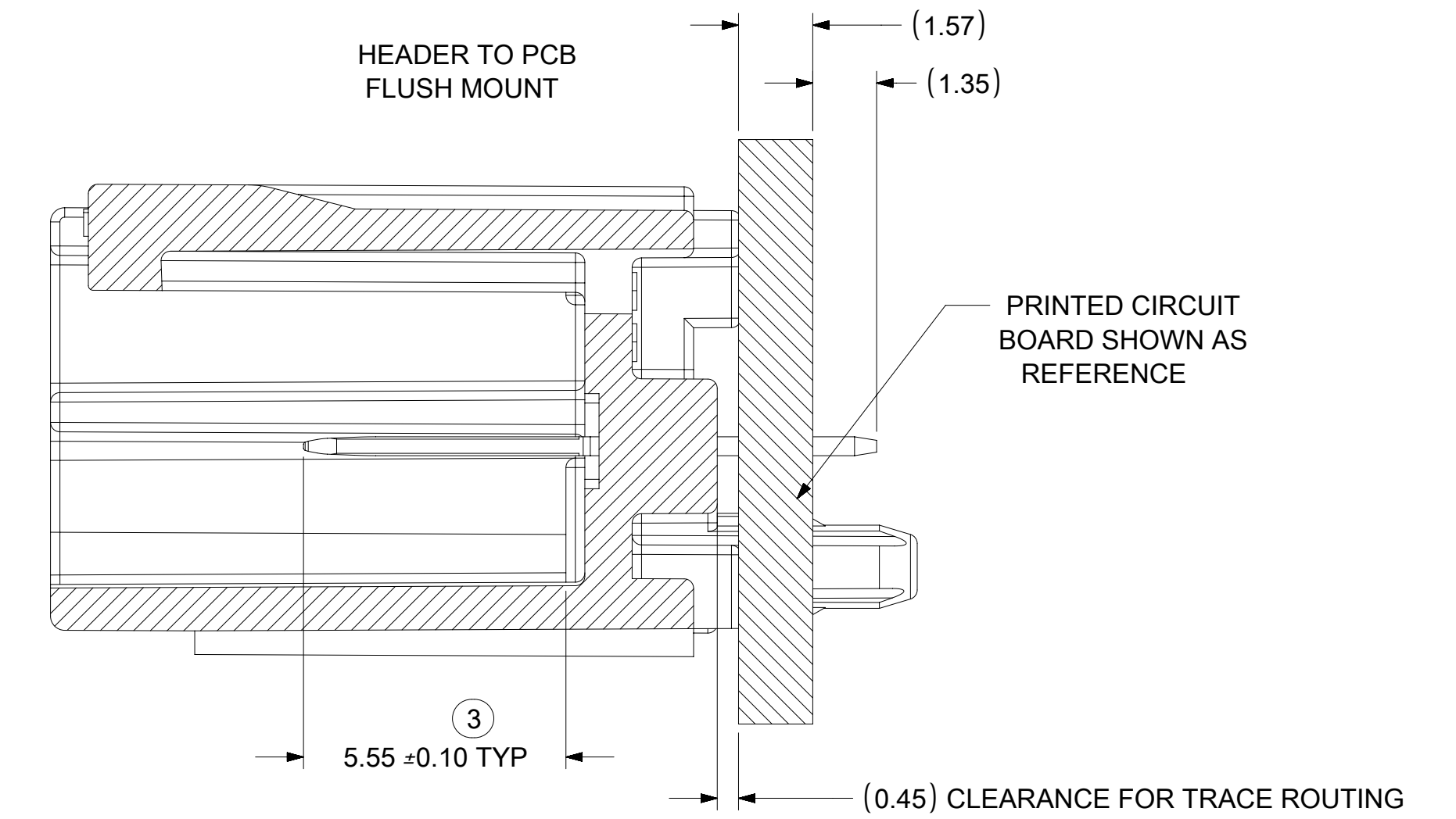
INSPECTION BALLOON NUMBER LOG	
PER DRAWING REVISION: G3	
LAST BALLOON USED: 17	
ADDED BALLOON NUMBERS: 16, 17	
REMOVED BALLOON NUMBERS: 4	

REV	DESCRIPTION
G3	UPDATED RELEASE TABLE; ADDED PIN TP SHEET 3
G2	ADDED P/N 34792-0085; -0086; -0087; ADDED PIN TP SHEET 2
G1	NX REMASTERING

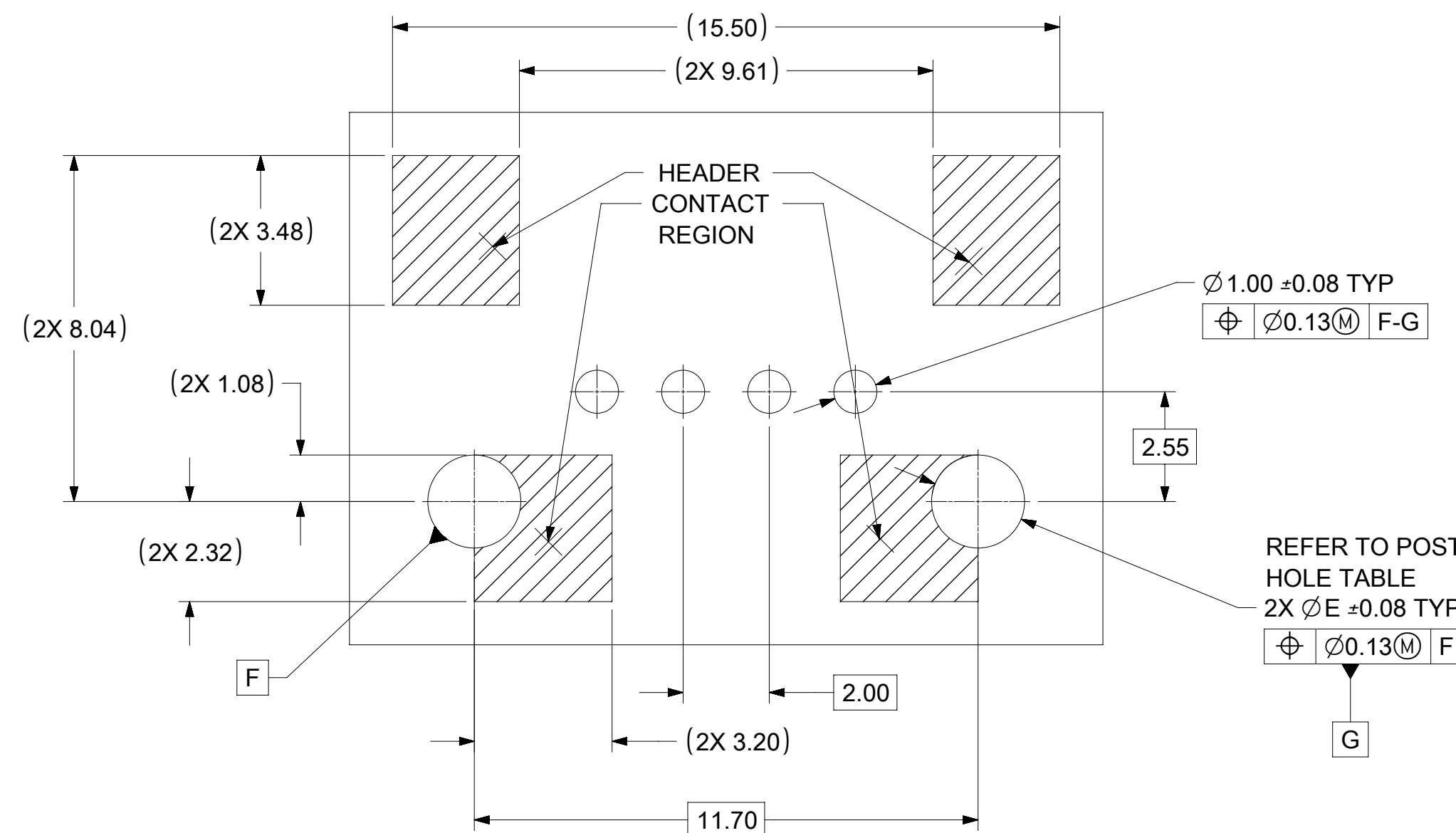
QUALITY SYMBOLS □ = 0 ▽ = 0 ▽ = 0 ▽ = 0 ▽ = 0 ▽ = 0 ▽ = 0 ▽ = 0 ▽ = 0 ▽ = 0 ▽ = 0 ▽ = 0	THIS DRAWING CONTAINS INFORMATION THAT IS PROPRIETARY TO MOLEX ELECTRONIC TECHNOLOGIES, LLC AND SHOULD NOT BE USED WITHOUT WRITTEN PERMISSION		GENERAL TOLERANCES (UNLESS SPECIFIED) DIMENSION UNITS: MM ONLY SCALE: 5:1		<p>MINI 50 SINGLE ROW VERTICAL HEADER ASSEMBLY SALES DRAWING</p> <p>PRODUCT CUSTOMER DRAWING</p>
	DRWN BY: JDUNAJ DATE: 2010/06/24		DRWN BY: JDUNAJ DATE: 2010/06/24		
	CHKD BY: BDICK DATE: 2010/06/24		CHKD BY: BDICK DATE: 2010/06/24		
	APPR BY: SMARCEAU DATE: 2011/11/21		APPR BY: SMARCEAU DATE: 2011/11/21		
EC NO: 615298 DRWN: TMACHUGA CHKD: JDUNAJ REV APPR: JDUNAJ		DRAFT WHERE APPLICABLE MUST REMAIN WITHIN DIMENSIONS D D		SERIES: 34792 MATERIAL NUMBER: SEE TABLE CUSTOMER: GENERAL MARKET	
G3		DOCUMENT NUMBER: SD-34792-001 DOC TYPE: PSD DOC PART: 001 SHEET NUMBER: 1 OF 3			



4 CKT VERTICAL HEADER



PCB LAYOUT  
CONNECTOR MATE SIDE

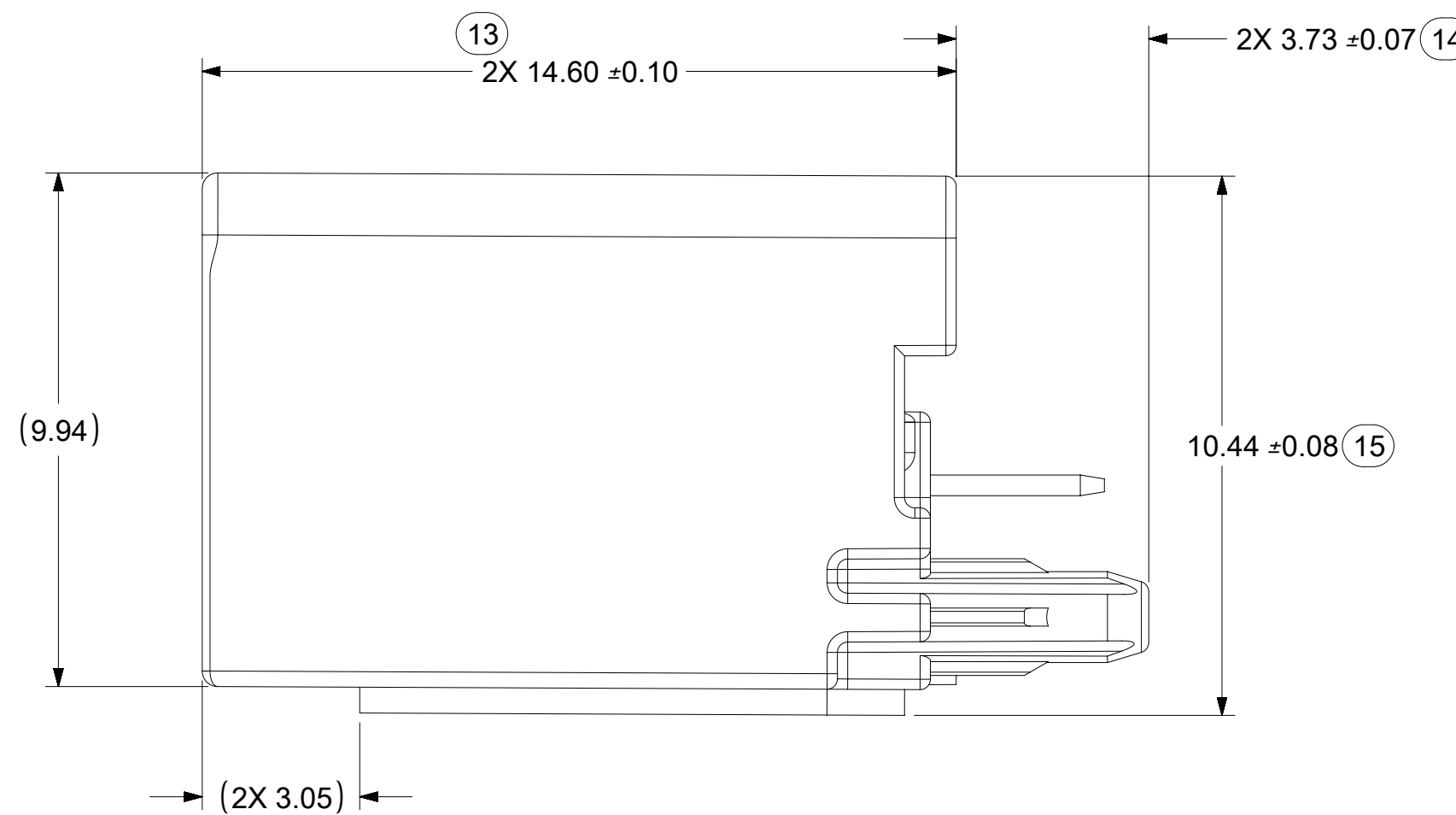
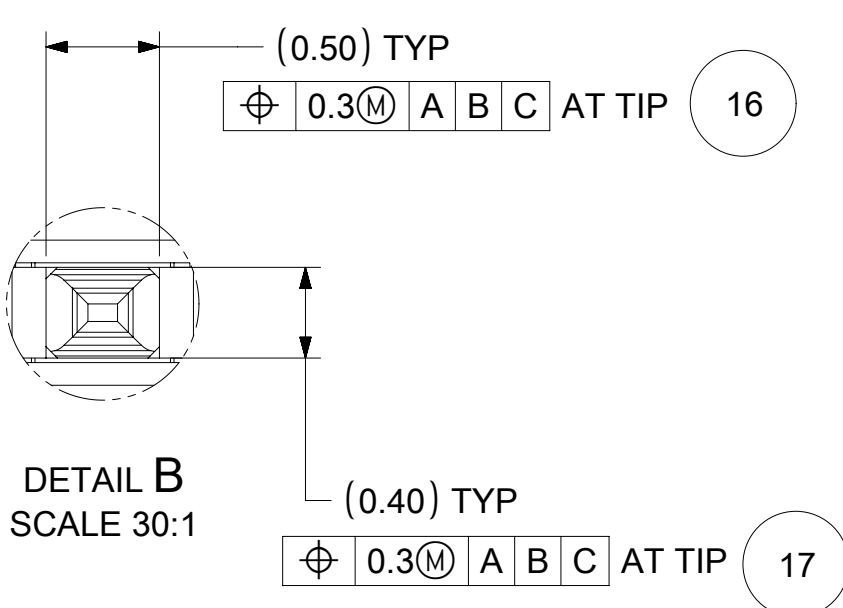
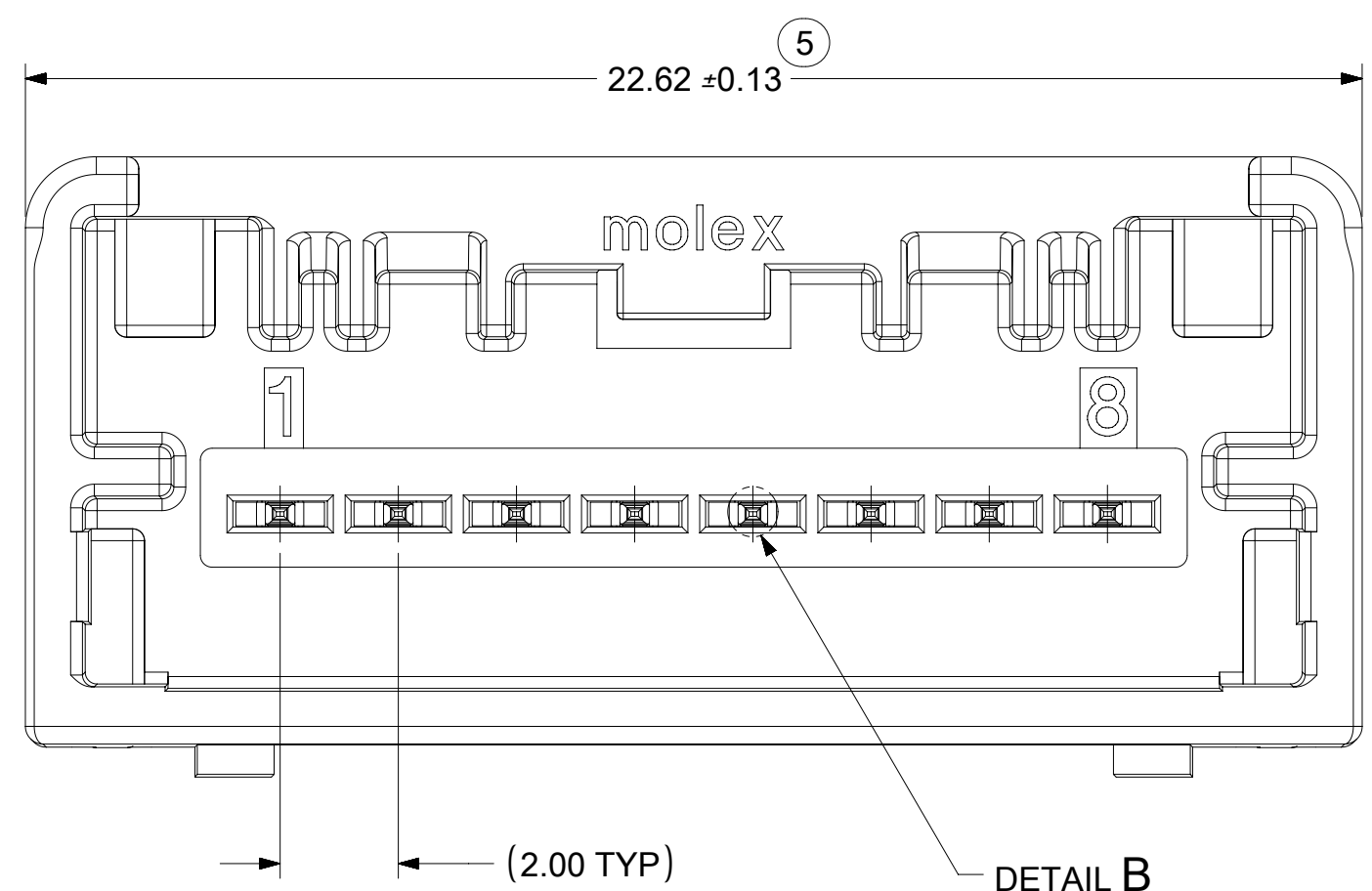
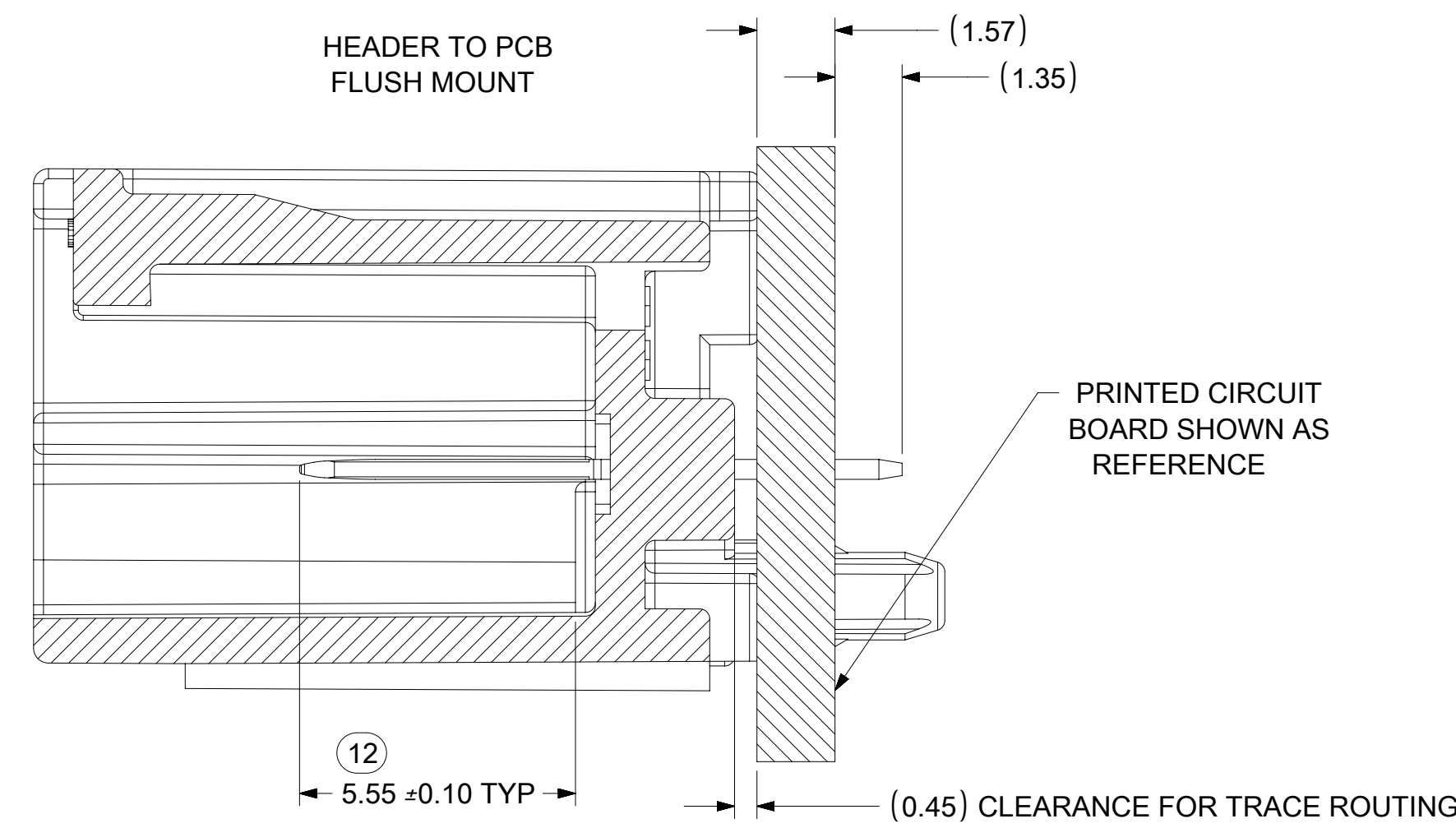
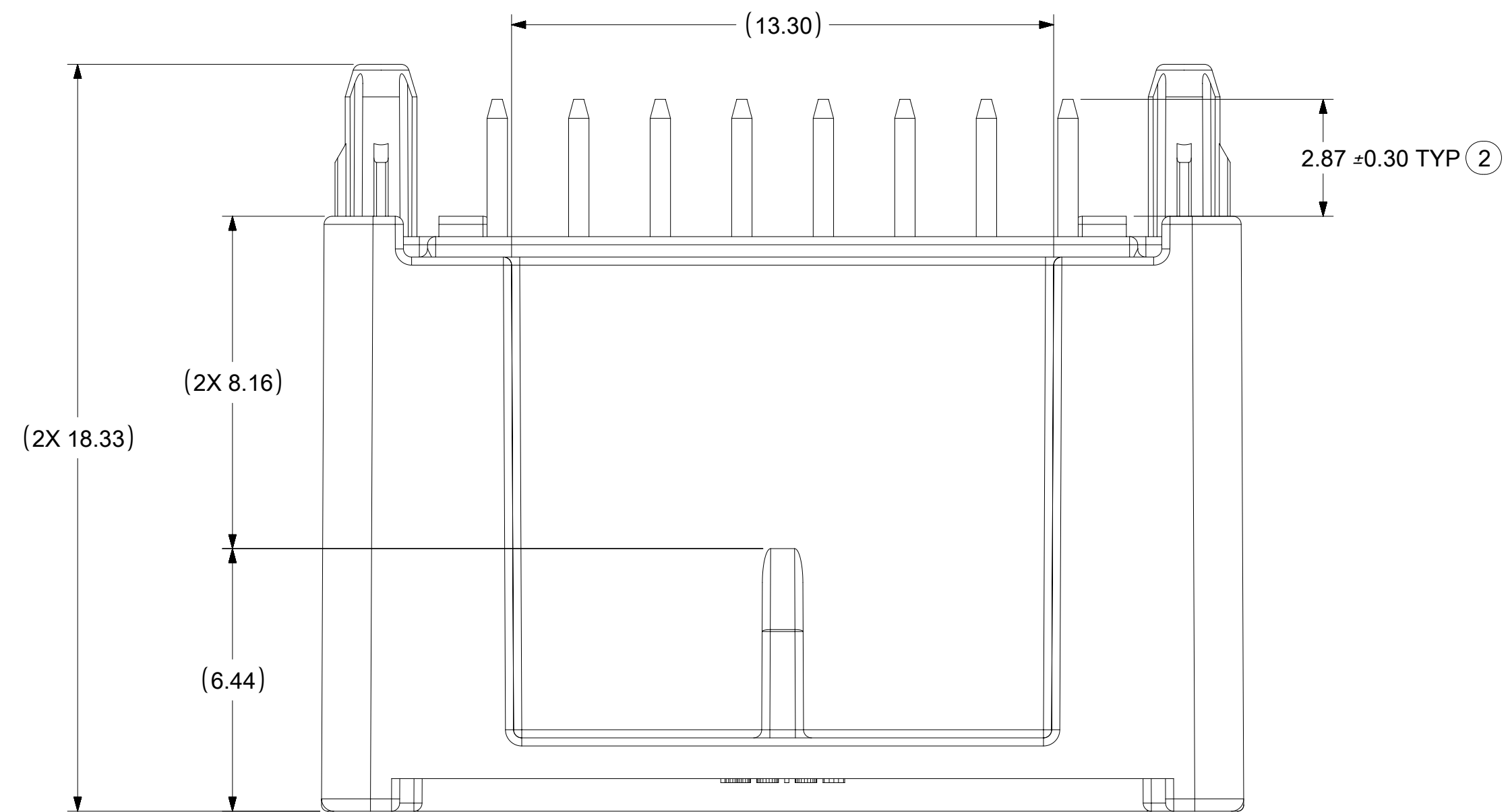


POST HOLE TABLE

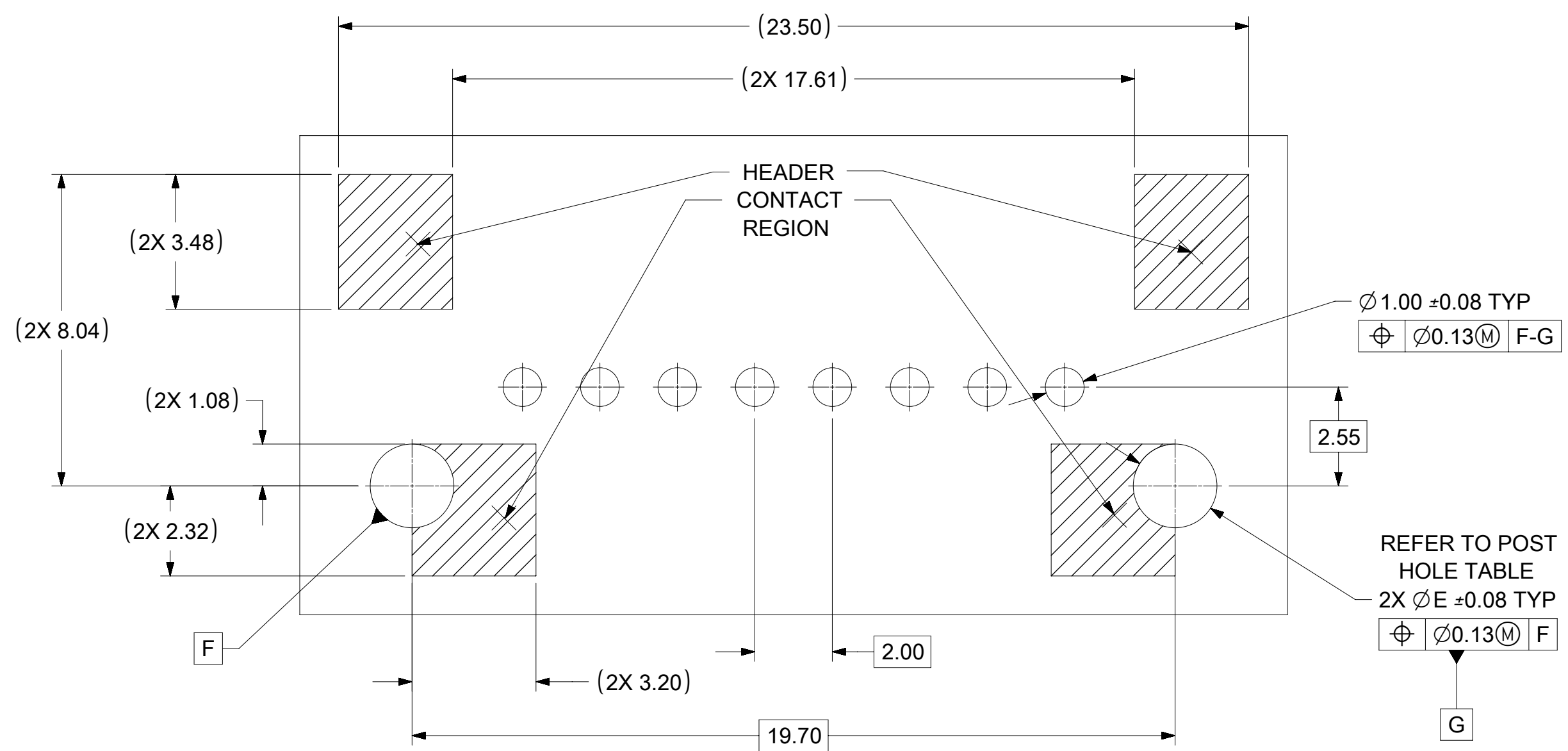
	DIM 'E'
PRESS FIT	2.15
DROP IN	2.55

QUALITY SYMBOLS ◊ = 0 ◊ = 0 ◊ = 0 ▼ = 0 ◊ = 0 ◊ = 0 ◊ = 0 ◊ = 0 ◊ = 0	THIS DRAWING CONTAINS INFORMATION THAT IS PROPRIETARY TO MOLEX ELECTRONIC TECHNOLOGIES, LLC AND SHOULD NOT BE USED WITHOUT WRITTEN PERMISSION		DIMENSION UNITS <b>MM ONLY</b>		SCALE <b>8:1</b>					
	GENERAL TOLERANCES (UNLESS SPECIFIED)		DRWN BY <b>JDUNAJ</b>		DATE <b>2010/06/24</b>				<b>MINI 50 SINGLE ROW VERTICAL HEADER ASSEMBLY SALES DRAWING</b>	
	ANGULAR TOL ± °		CHKD BY <b>BDICK</b>		DATE <b>2010/06/24</b>		<b>PRODUCT CUSTOMER DRAWING</b>			
	4 PLACES ±		APPR BY <b>SMARCEAU</b>		DATE <b>2011/11/21</b>					
3 PLACES ±		DRAFT WHERE APPLICABLE MUST REMAIN WITHIN DIMENSIONS		DRAWING SIZE <b>D</b>		THIRD ANGLE PROJECTION		MATERIAL NUMBER <b>SEE TABLE</b>		
2 PLACES ± 0.1		CUSTOMER <b>GENERAL MARKET</b>		DOCUMENT NUMBER <b>SD-34792-001</b>		DOC TYPE <b>PSD</b>		DOC PART SHEET NUMBER <b>001 2 OF 3</b>		
1 PLACE ± 0.2		EC NO: 615298 DRWN: TMACHUGA CHKD: JDUNAJ APPR: JDUNAJ		G3		6		5		
0 PLACES ±				7		8		9		
				10		11		12		
				13		14		15		
				16		17		18		
				19						

# 8 CKT VERTICAL HEADER



## PCB LAYOUT CONNECTOR MATE SIDE



POST HOLE TABLE	
	DIM 'E'
PRESS FIT	2.15
DROP IN	2.55

QUALITY SYMBOLS	THIS DRAWING CONTAINS INFORMATION THAT IS PROPRIETARY TO MOLEX ELECTRONIC TECHNOLOGIES, LLC AND SHOULD NOT BE USED WITHOUT WRITTEN PERMISSION			
▽ = 0	2019/04/09	GENERAL TOLERANCES (UNLESS SPECIFIED)	DIMENSION UNITS	SCALE
▽ = 0	2019/04/10	ANGULAR TOL ± °	MM ONLY	8:1
▽ = 0	2019/04/10	4 PLACES ±	DRWN BY	DATE
▽ = 0		3 PLACES ±	JDUNAJ	2010/06/24
▽ = 0		2 PLACES ± 0.1	CHKD BY	DATE
▽ = 0		1 PLACE ± 0.2	BDICK	2010/06/24
▽ = 0		0 PLACES ±	APPR BY	DATE
▽ = 0		DRAFT WHERE APPLICABLE MUST REMAIN WITHIN DIMENSIONS	SMARCEAU	2011/11/21
▽ = 0			DRAWING SIZE	THIRD ANGLE PROJECTION
▽ = 0			D	
	EC NO: 615298		SERIES	MATERIAL NUMBER
	DRWN: TMACHUGA		34792	SEE TABLE
	CHKD: JDUNAJ		DOCUMENT NUMBER	DOC TYPE
	REV APPR: JDUNAJ		SD-34792-001	PSD
			DOC PART	SHEET NUMBER
			001	3 OF 3