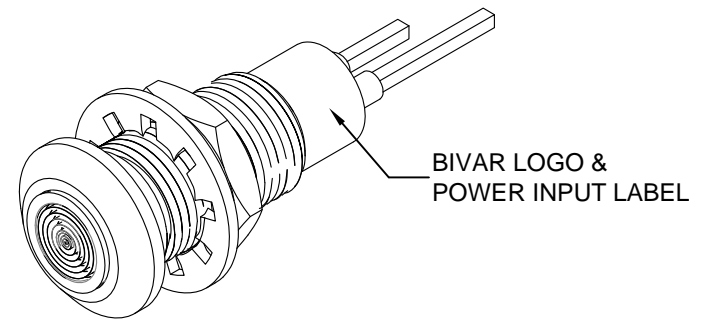
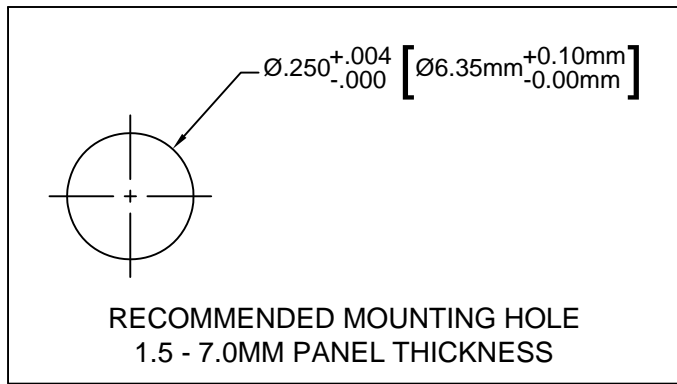
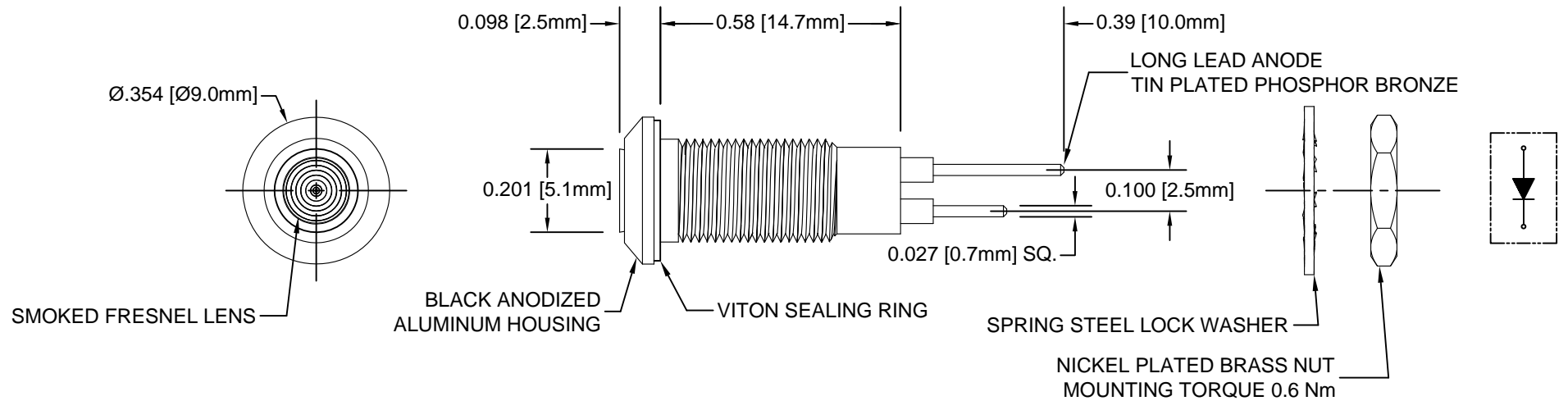


REV.	DESCRIPTION	DATE	APPROVED
B	Engineering Release	07/28/11	T. Y.
C	Engineering Update w/o Changes	08/11/16	J. C.



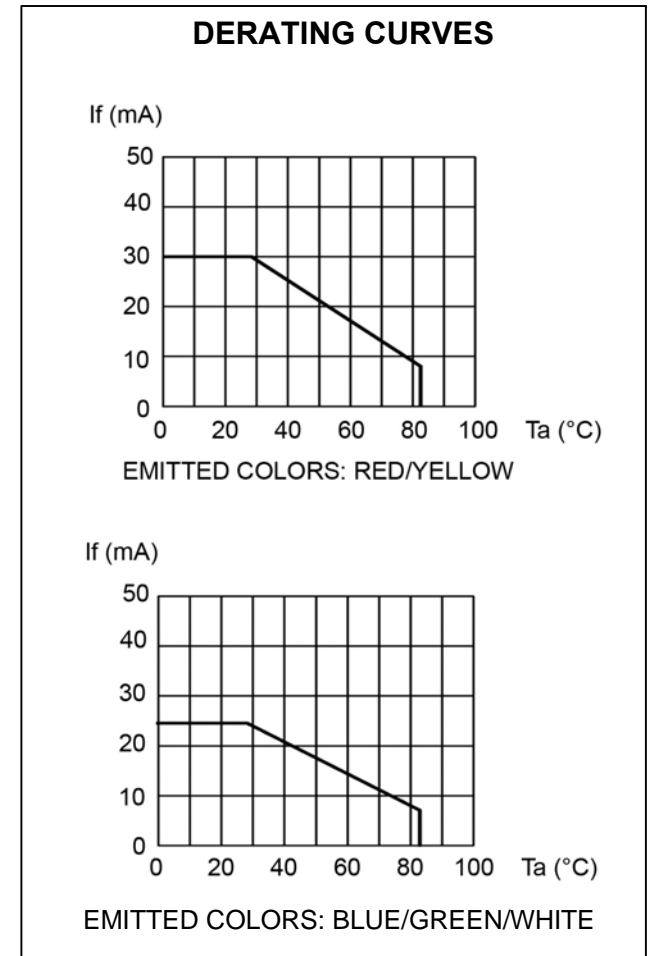
- NOTES:
1. SEALED TO IP67 RATING
  2. ROHS COMPLIANT
  3. MOUNTING HARDWARE SHIPPED NON-ASSEMBLED
  4. INSERT VITON RING ON PANEL MOUNT ASSEMBLY PRIOR TO PANEL INSTALLATION

STANDARD TOLERANCE (UNLESS OTHERWISE SPECIFIED)		BIVAR®	
DECIMALS	ANGULAR	4 THOMAS, IRVINE, CA. 92618	
.X ± .1	X° ± 1°	TEL: (949) 951-8808 FAX: (949) 951-3974	
.XX ± .02		TITLE: WATER TIGHT PANEL MOUNT LED ASSEMBLY, 6.35MM MOUNTING, BLACK	
.XXX ± .010		PART NO: PM5-A5XXX	
DESIGNED: R. Paje	DATE: 02/23/11	REVISION: C	CAGE CODE : 32559 SHEET # 1 OF 2
CHECKED: T. Yin	DATE: 02/23/11	CAD GENERATED DOCUMENT. DO NOT MEASURE DRAWING.	

REV.	DESCRIPTION	DATE	APPROVED
	SEE SHEET #1		

Part Number	Peak Wave Length $\lambda_p$ (nm)	Emitted Color	Lens Appearance	Electro-Optical Data @ 20mA		Viewing Angle
				Vf (VDC)	Iv (mcd)	
				TYP	TYP	
PM5-A5R12V	660	RED	SMOKED	12	39	120
PM5-A5Y12V	585	YELLOW	SMOKED	12	87	120
PM5-A5G12V	525	GREEN	SMOKED	12	576	120
PM5-A5B12V	470	BLUE	SMOKED	12	128	120
PM5-A5R28V	660	RED	SMOKED	24-28	39	120
PM5-A5Y28V	585	YELLOW	SMOKED	24-28	87	120
PM5-A5G28V	525	GREEN	SMOKED	24-28	576	120
PM5-A5B28V	470	BLUE	SMOKED	24-28	128	120

Part Number	Chromaticity Coordinates	Emitted Color	Lens Appearance	Electro-Optical Data @ 20mA		Viewing Angle
				Vf (VDC)	Iv (mcd)	
				TYP	TYP	
PM5-A5W12V	X=.29, Y=.30	WHITE	SMOKED	12	414	120
PM5-A5W28V	X=.29, Y=.30	WHITE	SMOKED	24-28	414	120



## ABSOLUTE MAXIMUM RATINGS (Ta = 25°C)

MAXIMUM POWER DISSIPATION \_\_\_\_\_ 500 mW  
 OPERATING TEMPERATURE RANGE \_\_\_\_\_ -30°C ~ 85°C  
 STORAGE TEMPERATURE \_\_\_\_\_ -40°C ~ 85°C

STANDARD TOLERANCE (UNLESS OTHERWISE SPECIFIED) DECIMALS      ANGULAR		<b>BIVAR</b> <sup>®</sup> 4 THOMAS, IRVINE, CA. 92618 TEL: (949) 951-8808    FAX: (949) 951-3974	
		<b>TITLE:</b> WATER TIGHT PANEL MOUNT LED ASSEMBLY, 6.35MM MOUNTING, BLACK	
<b>DESIGNED:</b> R. Paje	<b>DATE:</b> 02/23/11	<b>PART NO:</b> PM5-A5XXX	<b>REVISION:</b> C
<b>CHECKED:</b> T. Yin	<b>DATE:</b> 02/23/11	<b>CAGE CODE :</b> 32559	<b>SHEET # 2 OF 2</b>
CAD GENERATED DOCUMENT. DO NOT MEASURE DRAWING.			