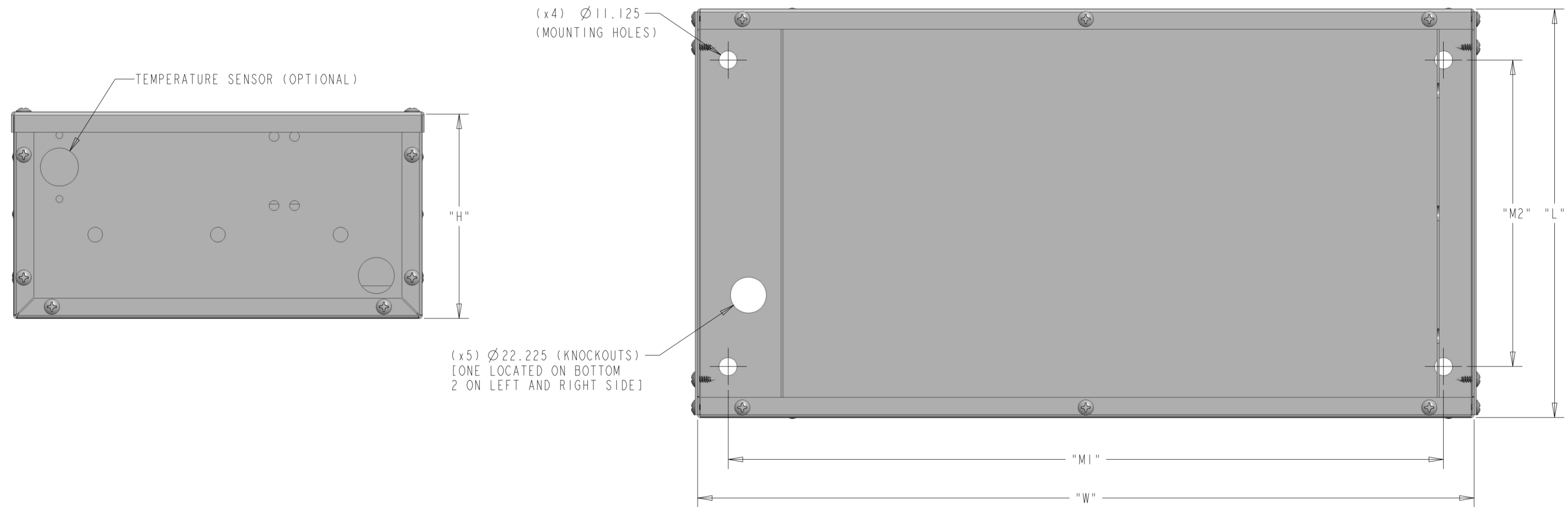
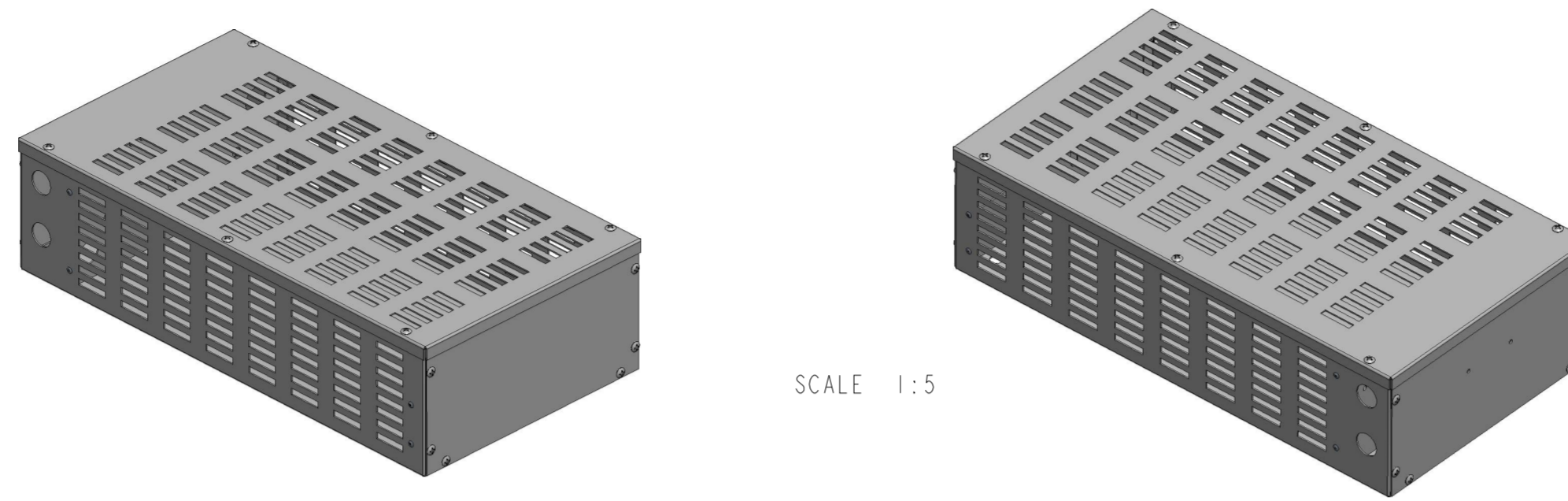


REVISIONS				
P	LTR	DESCRIPTION	DATE	APVD
A		INITIAL RELEASE	07OCT2021	KS AP



PART NUMBER	W (mm)	L (mm)	H (mm)	M1 (mm)	M2 (mm)	TOTAL RESISTANCE	H.P.	DUTY CYCLE	DRIVE VOLTAGE	BRAKING TORQUE
HPBA015D335R100E	483	254	127	445	191	335 Ohms ± 10%	1.50	100%	460 V	150%

NOTE:
1. FOR FURTHER TECHNICAL INFORMATION PLEASE SEE THE DATASHEET FOR THE HPBA SERIES

THIS DRAWING IS A CONTROLLED DOCUMENT.		DWN S. KARTHIK 22-09-2021																
DIMENSIONS: mm		CHK ALLAN PILE 22-09-2021																
TOLERANCES UNLESS OTHERWISE SPECIFIED:		APVD ALLAN PILE 22-09-2021	NAME BRAKING RESISTOR ASSEMBLY TYPE HPBA SERIES HPBA015D335R100E															
<table border="1"> <tr> <td>0 PLC</td> <td>±</td> </tr> <tr> <td>1 PLC</td> <td>±</td> </tr> <tr> <td>2 PLC</td> <td>±0.50</td> </tr> <tr> <td>3 PLC</td> <td>±0.500</td> </tr> <tr> <td>4 PLC</td> <td>±</td> </tr> <tr> <td>ANGLES</td> <td>±</td> </tr> <tr> <td>FINISH</td> <td>-</td> </tr> </table>		0 PLC	±	1 PLC	±	2 PLC	±0.50	3 PLC	±0.500	4 PLC	±	ANGLES	±	FINISH	-	PRODUCT SPEC -	SIZE A2	
0 PLC	±																	
1 PLC	±																	
2 PLC	±0.50																	
3 PLC	±0.500																	
4 PLC	±																	
ANGLES	±																	
FINISH	-																	
MATERIAL -		APPLICATION SPEC -	CAGE CODE 00779	DRAWING NO 3-2176470-9														
		WEIGHT -	RESTRICTED TO -															
		CUSTOMER DRAWING	SCALE 1:2	SHEET 1 OF 2														
			REV A															

4

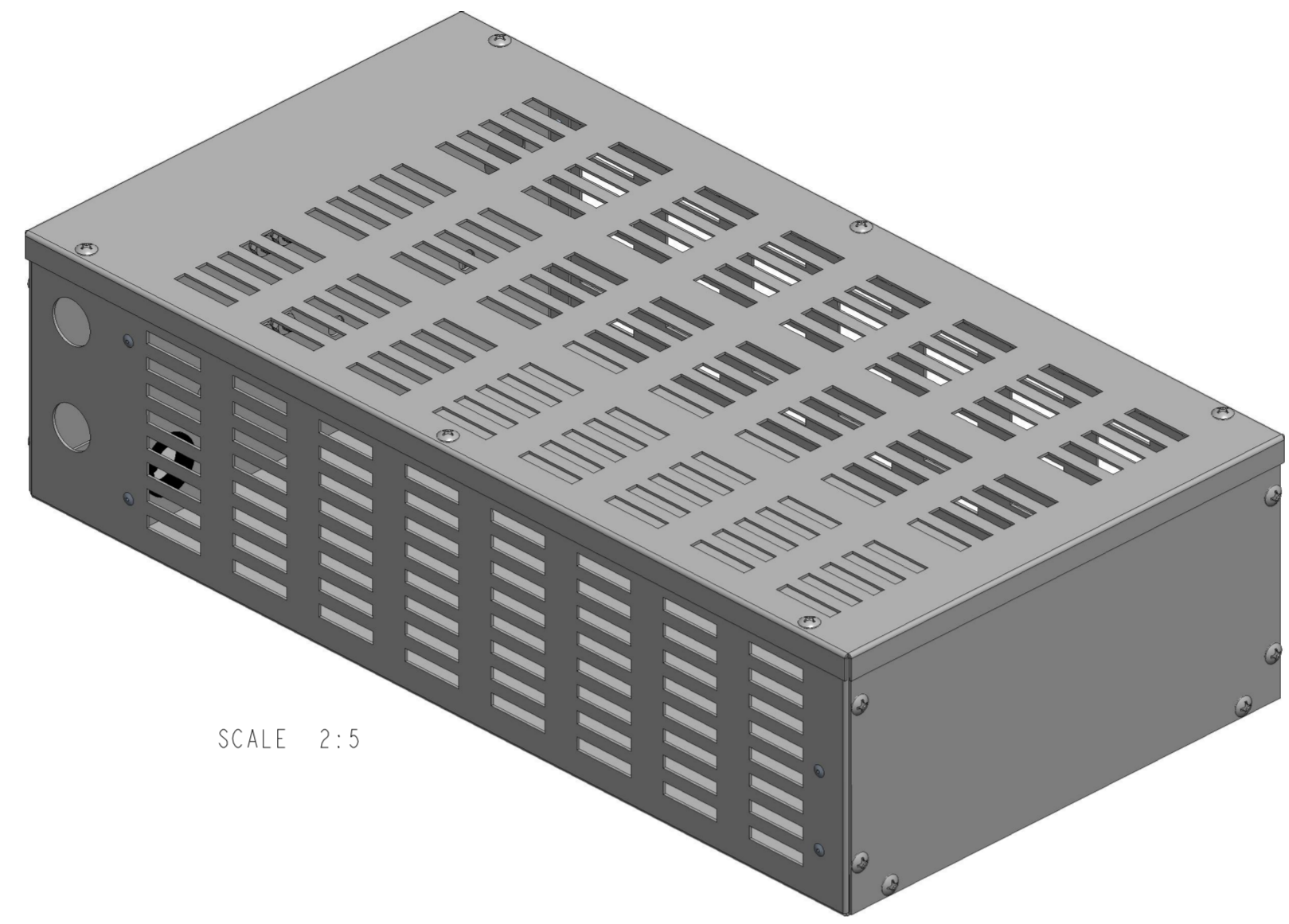
3

2

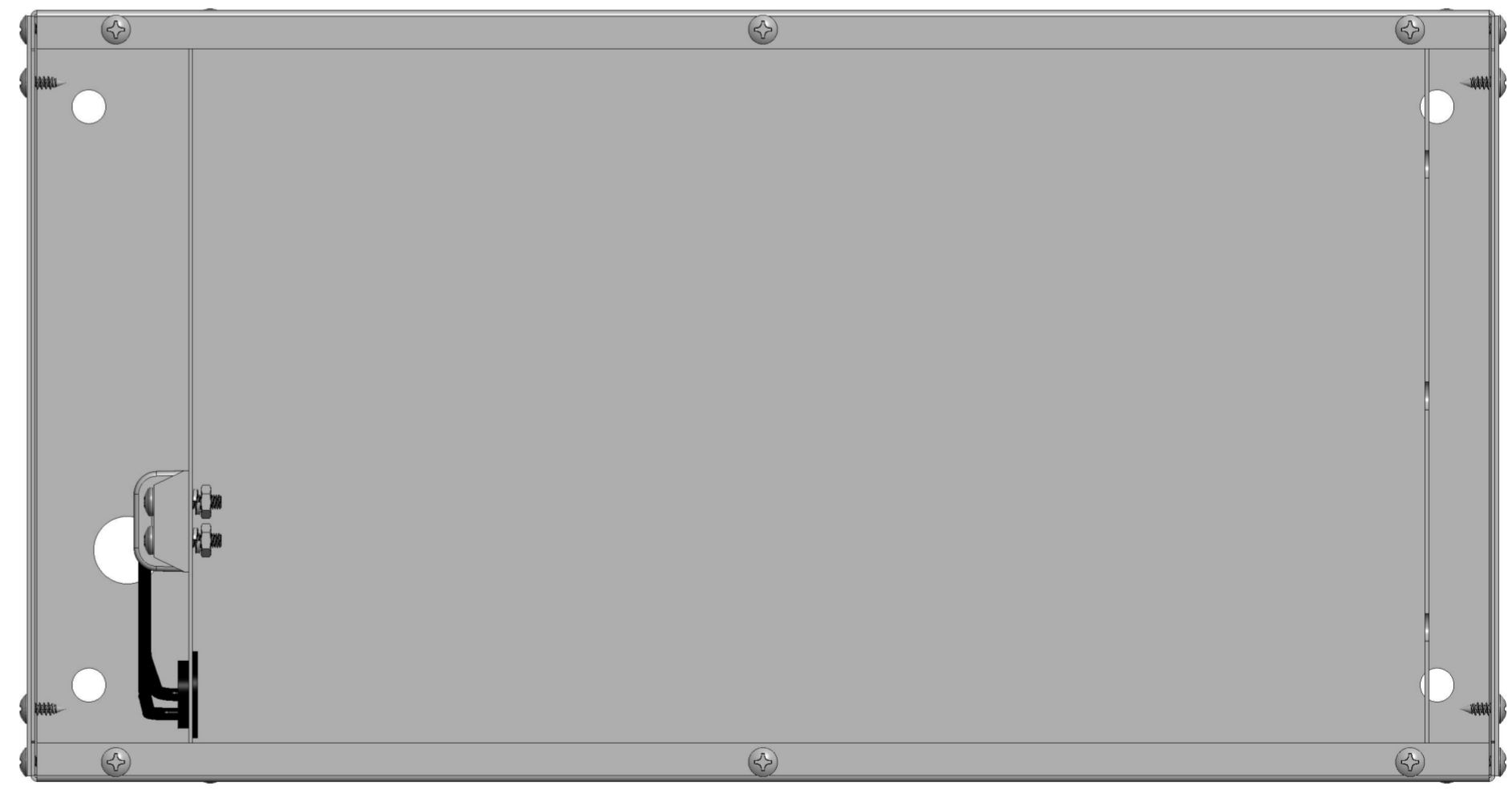
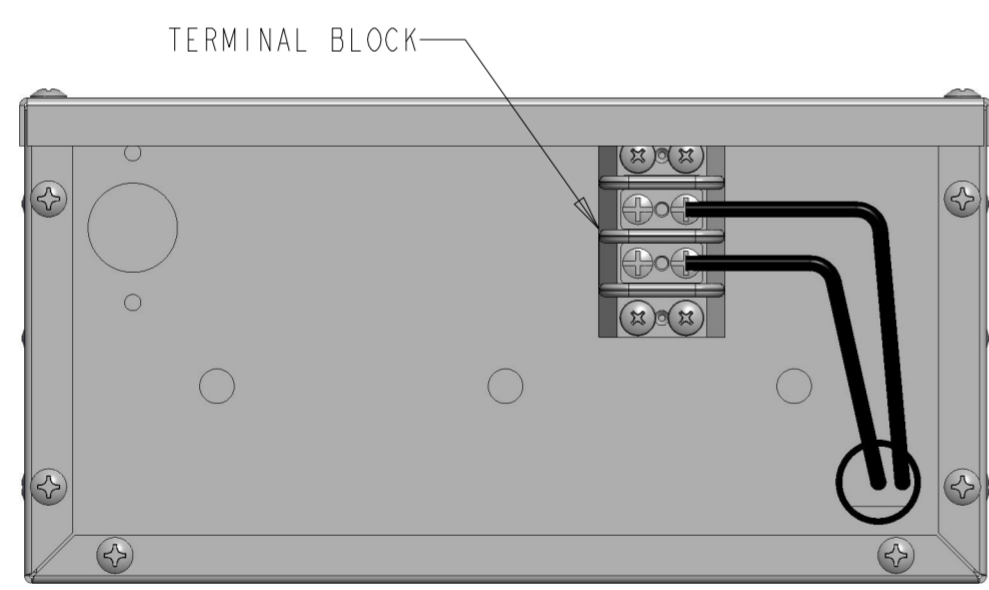
1

© 2021 TE Connectivity. All Rights Reserved.

REVISIONS					
P	LTR	DESCRIPTION	DATE	DWN	APVD
		SEE SHEET 1			



SCALE 2:5



THIS DRAWING IS A CONTROLLED DOCUMENT.		DWN S. KARTHIK 22-09-2021																		
DIMENSIONS: mm		CHK ALLAN PILE 22-09-2021																		
TOLERANCES UNLESS OTHERWISE SPECIFIED:		APVD ALLAN PILE 22-09-2021	NAME BRAKING RESISTOR ASSEMBLY TYPE HPBA SERIES HPBA015D335R100E																	
<table border="1"> <tr><td>0 PLC</td><td>±</td></tr> <tr><td>1 PLC</td><td>±</td></tr> <tr><td>2 PLC</td><td>±0.50</td></tr> <tr><td>3 PLC</td><td>±0.500</td></tr> <tr><td>4 PLC</td><td>±</td></tr> <tr><td>ANGLES</td><td>±</td></tr> <tr><td>FINISH</td><td>-</td></tr> </table>		0 PLC	±	1 PLC	±	2 PLC	±0.50	3 PLC	±0.500	4 PLC	±	ANGLES	±	FINISH	-	PRODUCT SPEC -	SIZE A2	CAGE CODE 00779	DRAWING NO C-3-2176470-9	RESTRICTED TO -
0 PLC	±																			
1 PLC	±																			
2 PLC	±0.50																			
3 PLC	±0.500																			
4 PLC	±																			
ANGLES	±																			
FINISH	-																			
MATERIAL -		APPLICATION SPEC -	WEIGHT -	SCALE 1:2		SHEET 2 OF 2	REV A													
		CUSTOMER DRAWING																		