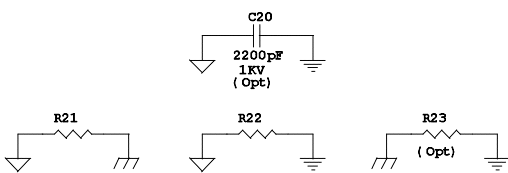


MODE	R10	R14	C18	DO NOT INSTALL	INSTALL
NON-ISOLATED	22.6K	10K	0.22uF	R18, R23, C20	R19, R21, R22, C16
ISOLATED	3.9K	510	1uF	R19, R21, R22, C16	R18, R23, C20

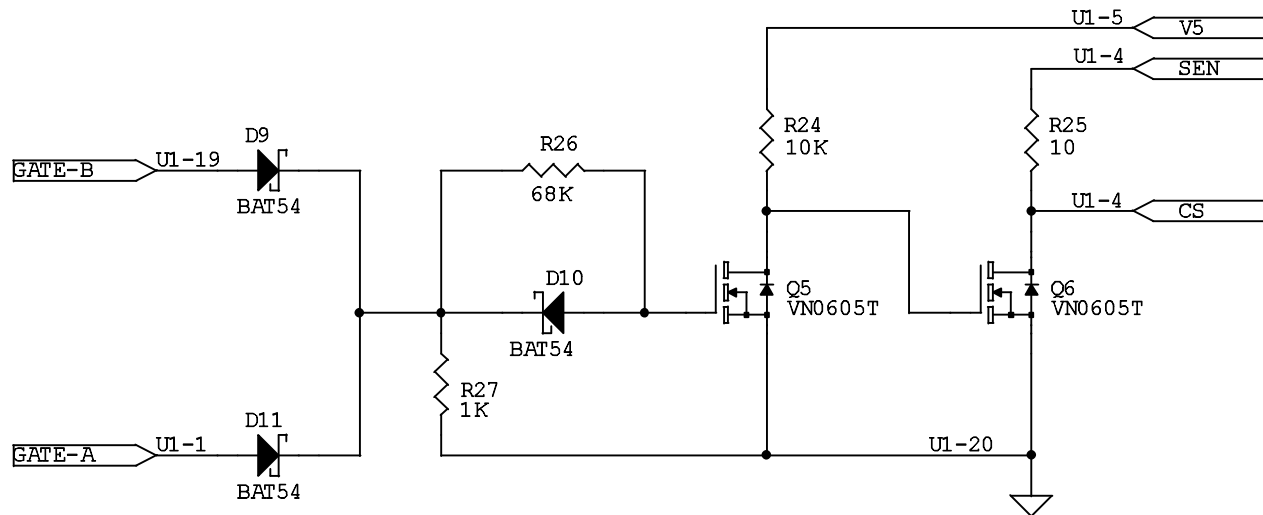


1630 McCarthy Blvd., Milpitas, CA
 95035-7417
Linear Technology Corp. Phone: (408)432-1900 Fax: (408)434-0507

Title: Low Noise/EMI Switching Power Supply (LT1683EG)

Size	Document Number	Rev
	DEMO BOARD 477	A

Date: Monday, February 10, 2003 Sheet 1 of 2



OPTIONAL BLANKING CIRCUIT

Linear Technology Corp.		1630 McCarthy Blvd., Milpitas, CA 95035-7417 Phone: (408)432-1900 Fax (408)434-0507
Title Low Noise/EMI Switching Power Supply (LT1683EG)		
Size	Document Number DEMO BOARD 477	Rev A
Date:	Monday, February 10, 2003	Sheet 2 of 2