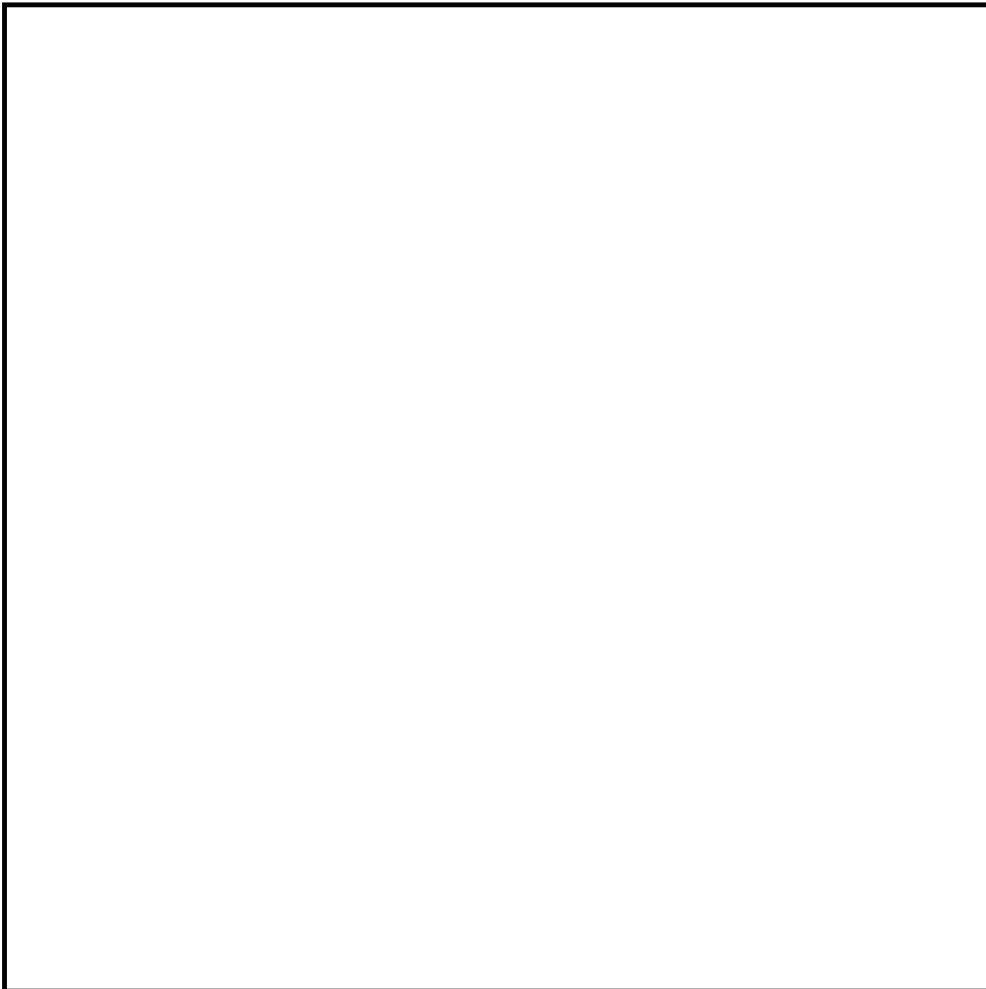


BAE SA-OH-038-IC-S75G  
Bestellcode: BAE00N5

## 3D-View

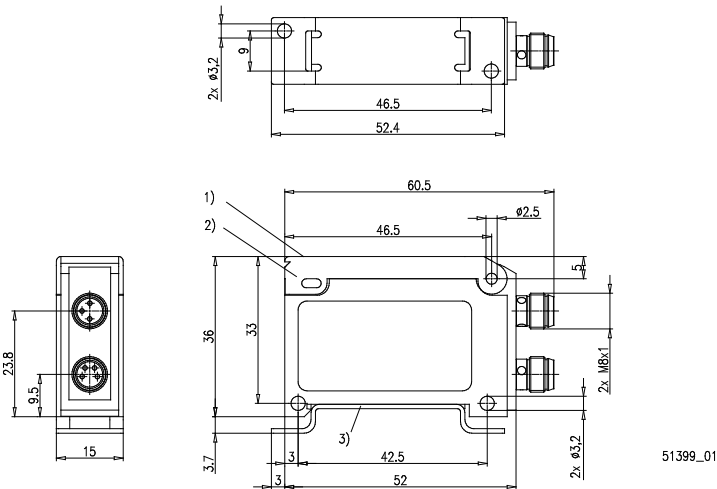


[Link](#) Balluff Webseite

BAE SA-OH-038-IC-S75G  
Bestellcode: BAE00N5

# BALLUFF

## Dimension



## E-PLAN

<b>Availability</b>	Available
<b>Order code</b>	BAE00N5
<b>Product identifier</b>	BAE SA-OH-038-IC-S75G
<b>Product view</b>	51399_01
<b>IO Device Description</b>	
<b>Weight</b>	27 g
<b>Customs number</b>	85437090
<b>Dimensions</b>	15 x 36 x 61 mm
<b>Mounting</b>	screw M3;DIN rail 35 mm
<b>Special application areas</b>	Narrow installation space.
<b>Housing material</b>	ABS
<b>Approval/Conformity</b>	CE;EAC;WEEE
<b>Product group</b>	Amplifiers for sensor heads
<b>Protection degree</b>	IP65
<b>Manual DE</b>	<a href="https://assets.balluff.com/WebBinary1/MAN_BAE_SA_OH_038_PREM_ANALOG_DE_EN_E14_DRW_913947_00_000.pdf">https://assets.balluff.com/WebBinary1/MAN_BAE_SA_OH_038_PREM_ANALOG_DE_EN_E14_DRW_913947_00_000.pdf</a>
<b>Manual EN</b>	<a href="https://assets.balluff.com/WebBinary1/MAN_BAE_SA_OH_038_PREM_ANALOG_DE_EN_E14_DRW_913947_00_000.pdf">https://assets.balluff.com/WebBinary1/MAN_BAE_SA_OH_038_PREM_ANALOG_DE_EN_E14_DRW_913947_00_000.pdf</a>