

**PLEASE CHECK WWW.MOLEX.COM FOR LATEST PART INFORMATION**

**Part Number:** [0784480001](#)  
**Status:** **Active**  
**Overview:** Serial ATA Combo Plugs and Receptacles  
**Description:** 1.27mm Pitch Serial ATA Device Plug, Straddle Mount, with Latch, 22 Circuits, Tape on Reel Packaging, Lead-Free

**Documents:**

[3D Model](#) [Product Specification PS-78448-001 \(PDF\)](#)  
[Drawing \(PDF\)](#) [RoHS Certificate of Compliance \(PDF\)](#)

**Agency Certification**

CSA LR19980  
 UL E29179

**General**

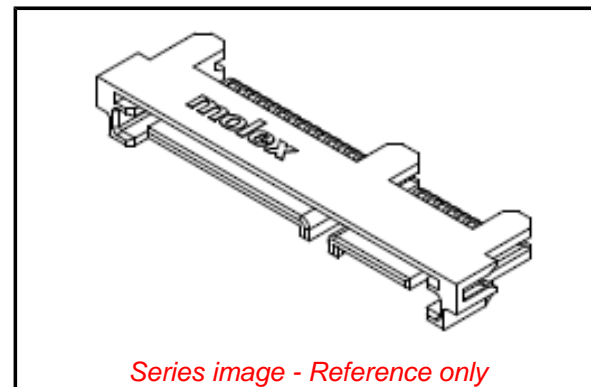
Product Family PCB Headers  
 Series [78448](#)  
 Application Board-to-Board, Signal  
 Comments Latch version  
 Overview [Serial ATA Combo Plugs and Receptacles](#)  
 Product Name Serial ATA  
 UPC 883906436537

**Physical**

Breakaway No  
 Circuits (Loaded) 22  
 Circuits (maximum) 22  
 Color - Resin Black  
 Durability (mating cycles max) 500  
 First Mate / Last Break Yes  
 Flammability 94V-0  
 Glow-Wire Compliant No  
 Guide to Mating Part Yes  
 Keying to Mating Part Yes  
 Lock to Mating Part Yes  
 Material - Metal Copper Alloy  
 Material - Plating Mating Gold  
 Material - Plating Termination Tin  
 Material - Resin High Temperature Thermoplastic  
 Net Weight 2.192/g  
 Number of Rows 1  
 Orientation Parallel  
 PCB Locator No  
 PCB Retention None  
 Packaging Type Embossed Tape on Reel  
 Pitch - Mating Interface 1.27mm  
 Pitch - Termination Interface 1.27mm  
 Plating min - Mating 0.762µm  
 Plating min - Termination 2.540µm  
 Polarized to Mating Part Yes  
 Polarized to PCB Yes  
 Stackable No  
 Temperature Range - Operating 0°C to +55°C  
 Termination Interface: Style Straddle Mount

**Electrical**

Current - Maximum per Contact 1.5A



*Series image - Reference only*

**EU ELV**

**Not Relevant**

**EU RoHS**

**Compliant**

**REACH SVHC**

Not Contained Per  
 -ED/79/2015 (17  
 December 2015)

**Halogen-Free**

**Status**

**Low-Halogen**

**Need more information on product  
 environmental compliance?**

Email [productcompliance@molex.com](mailto:productcompliance@molex.com)  
 Please visit the [Contact Us](#) section for any  
 non-product compliance questions.

China ROHS

ELV

Green Image

Not Relevant

**Search Parts in this Series**

[78448](#) Series

**Mates With**

Molex Serial ATA and SAS Receptacles

Voltage - Maximum 30V

**Solder Process Data**

Duration at Max. Process Temperature (seconds) 010

Lead-free Process Capability REFLOW

Max. Cycles at Max. Process Temperature 001

Process Temperature max. C 260

**Material Info**

**Reference - Drawing Numbers**

Electrical Model Document EE-78448-001, EE-78448-002, EE-78448-003,  
EE-78448-004, EE-87701-001

Product Specification PS-78448-001, RPS-78448-001

Sales Drawing SD-78448-001

This document was generated on 03/30/2016

**PLEASE CHECK [WWW.MOLEX.COM](http://WWW.MOLEX.COM) FOR LATEST PART INFORMATION**