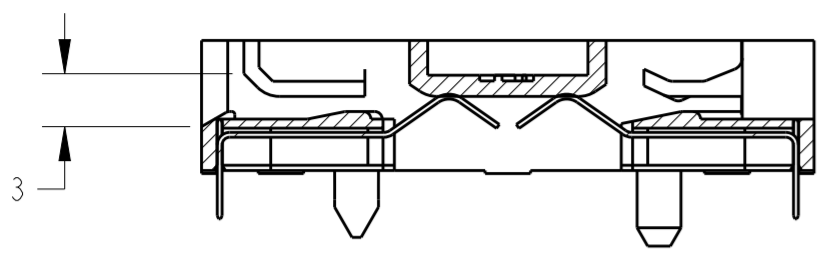


THIS DRAWING IS UNPUBLISHED. RELEASED FOR PUBLICATION
 © COPYRIGHT - ALL RIGHTS RESERVED.

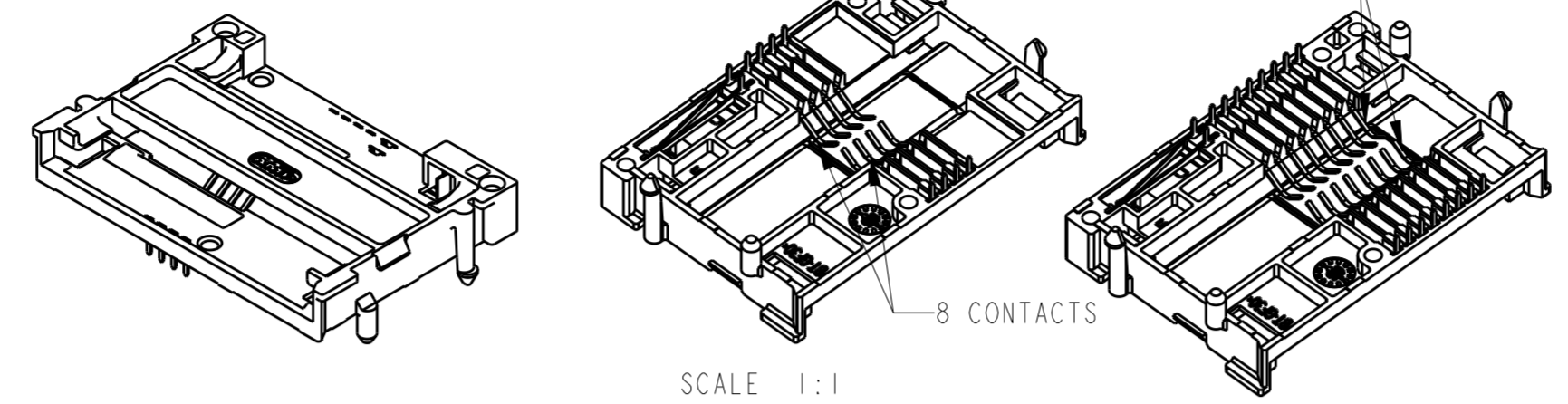
PN 5953398-1

PN 5953398-2

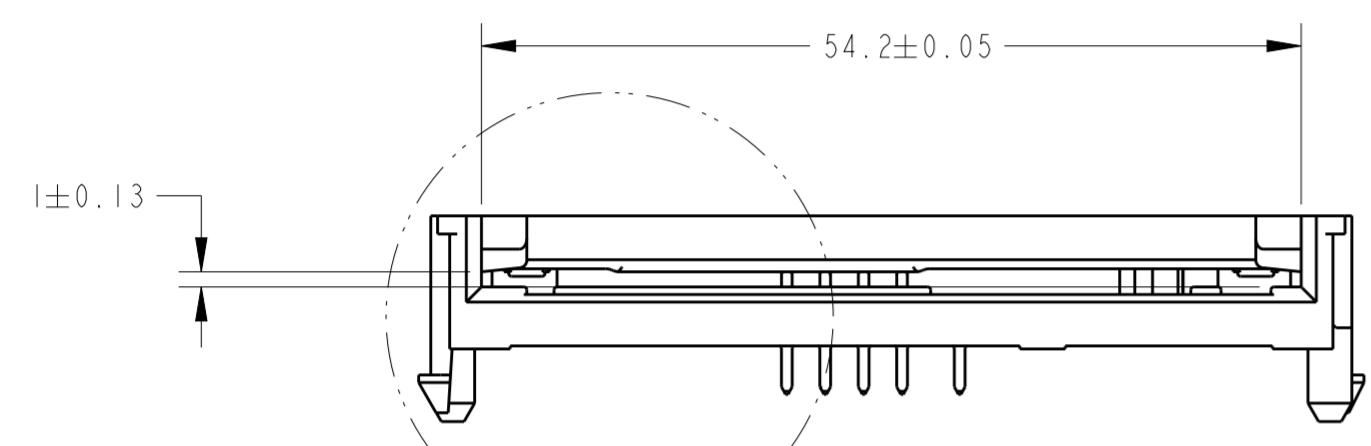
LOC		DIST		REVISIONS			
P	LTR	DESCRIPTION	DATE	DWN	APVD		
D		ECR-11-025634	20DEC2011	GG	RRP		
DI		REVISED PER ECR-19-006701	26APR2019	R.Z	S.L		



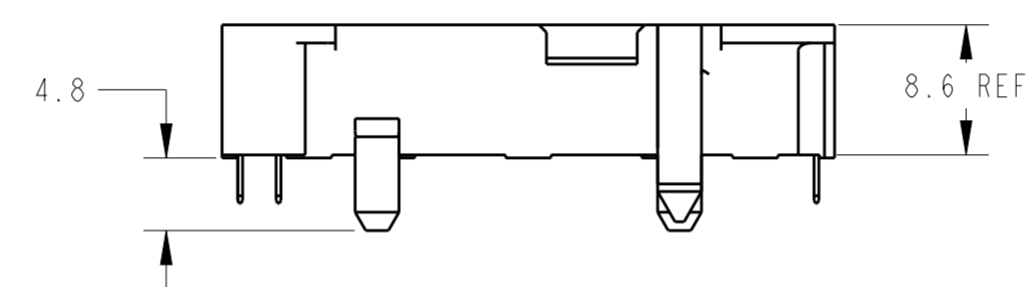
SECTION A-A



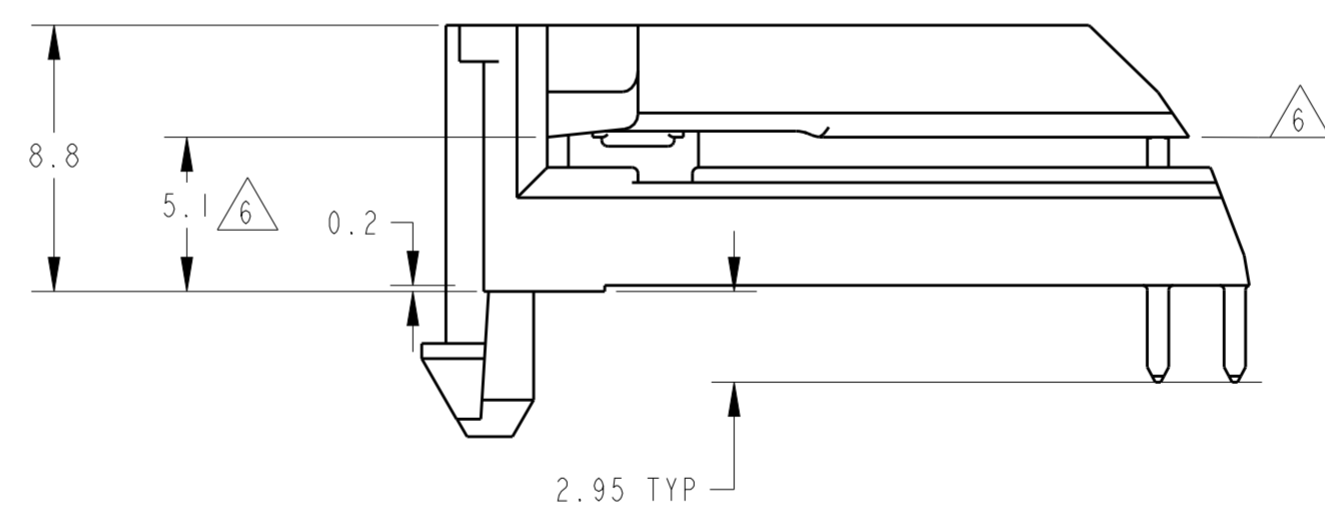
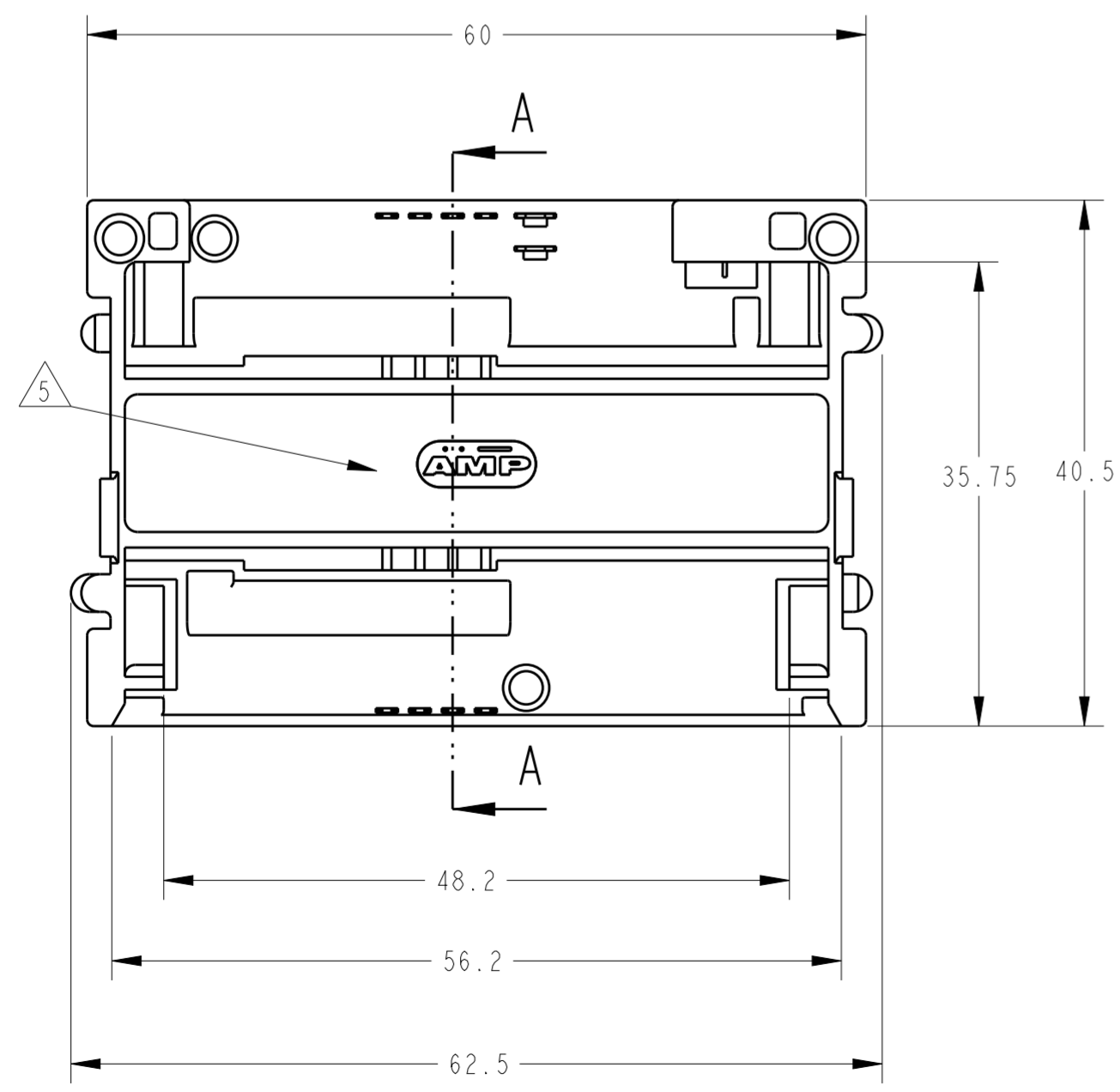
SCALE 1:1



SEE DETAIL F



DETAIL F
SCALE 4:1



NOTES:

CONTACTS PLATING :

- 1 OVERALL: Ni 2µm MIN, ALL OVER THE CONTACTS.
SOLDER ZONE: Sn 2.5µm MIN ON THE SOLDER ZONE OF THE CONTACTS.
MATING ZONE: PLATING CONFIRMS TO PRODUCT REQUIREMENTS AS PER SPECIFICATION 108-15202.

MATERIAL :

- 2 HOUSING: PBT-GF, BLACK UL 94V0.
CONTACTS: PHOSPHOR BRONZE.
- 3 TE SMART CARD RECEPTACLE DESIGNED TO ACCEPT ISO 7810-7816 TYPE INTEGRATED CIRCUIT SMART CARDS (0.76MM REF. THICKNESS) SEE SHEET 2/2
- 4 8 POSITIONS 5953398-1 SHOWN ON DRAWING
- 5 LOGO SHAPE AND POSITION VARY DEPENDING ON MOLD CAVITY NUMBER.
- 6 DIMENSION APPLICABLE IN CARD CONTACT AREA ONLY SURFACE VARY DEPENDING ON MOLD CAVITY NUMBER

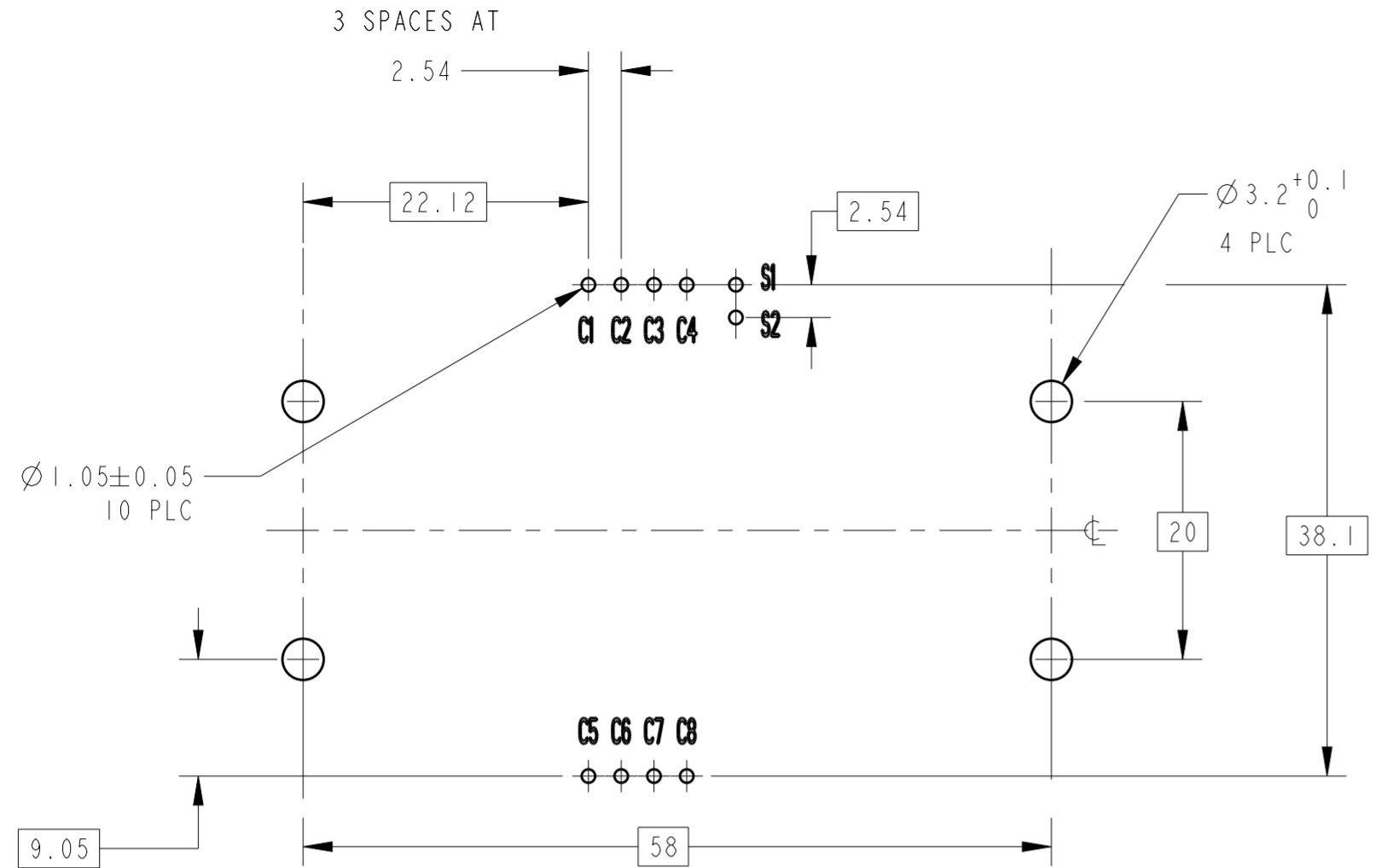
OBSELETE

PartNumber : 5953398-1	8 POSITIONS ISO 7816
PartNumber : 5953398-2	16 POSITIONS ISO / CP8 AFNOR

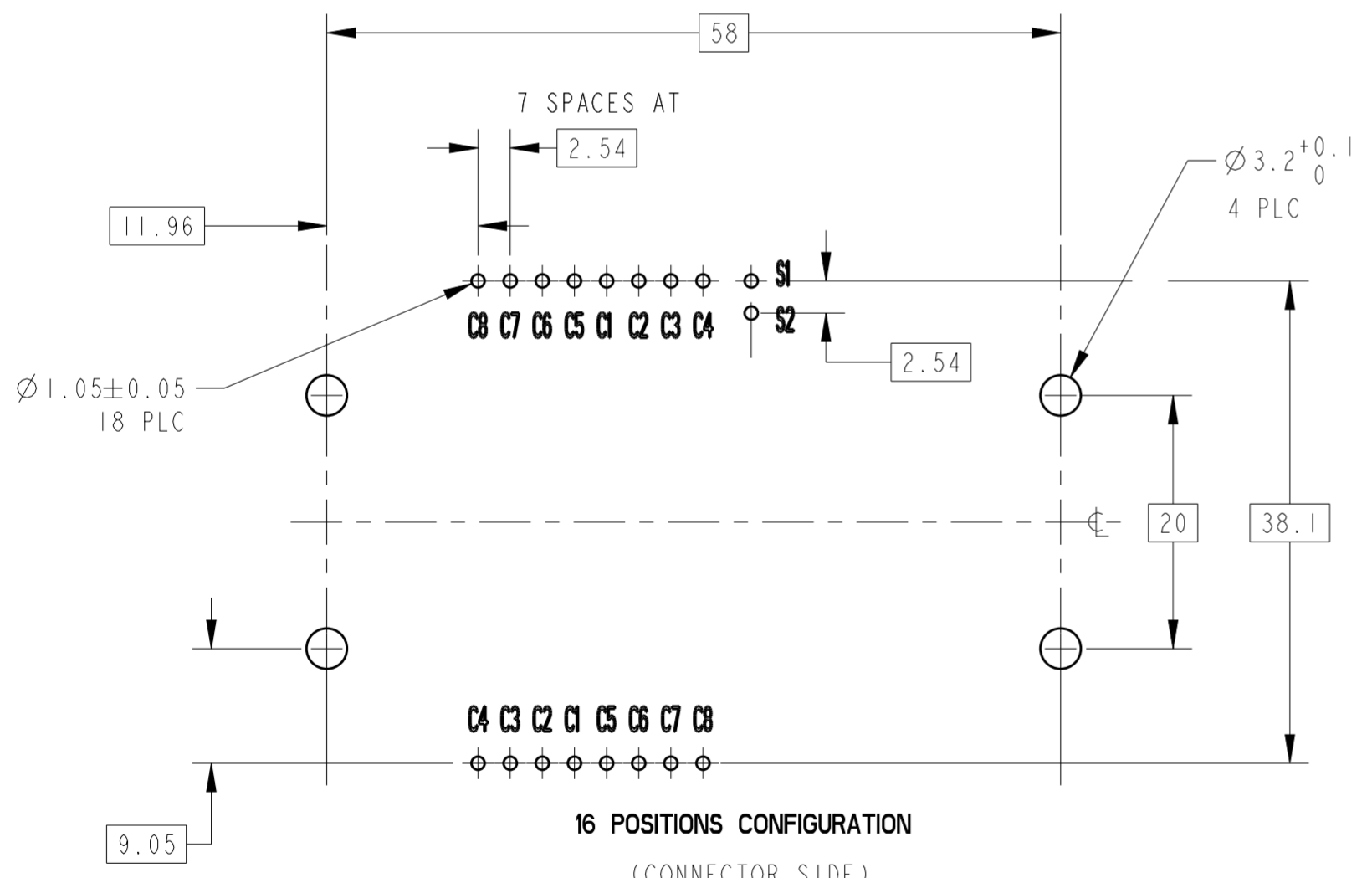
THIS DRAWING IS A CONTROLLED DOCUMENT.		DWN R. Coolen 16 Dec 04	TE Connectivity	
DIMENSIONS: mm		CHK W. Jansen		
TOLERANCES UNLESS OTHERWISE SPECIFIED:		APVD P. Jaeger	NAME SMART CARD READER 0.76 PCB MOUNT THROUGH HOLE, LOW PROFILE BLADE SWITCH NORMALLY CLOSED	
0 PLC ±0,5 1 PLC ±0,3 2 PLC ±0,13 3 PLC ±- 4 PLC ±-		PRODUCT SPEC 108-15202	SIZE A2	
MATERIAL 2		APPLICATION SPEC -	CAGE CODE G-5953398	
ANGLES FINISH 1		WEIGHT 8,5/9 g	DRAWING NO 5953398	
CUSTOMER DRAWING		SCALE 1:1	RESTRICTED TO -	
		SHEET 1	OF 2	
		REV DI		

THIS DRAWING IS UNPUBLISHED. RELEASED FOR PUBLICATION
 © COPYRIGHT - ALL RIGHTS RESERVED.

LOC	DIST	REVISIONS					
IR	-	P	LTR	DESCRIPTION	DATE	DWN	APVD
		-		SEE SHEET 1	-	-	-



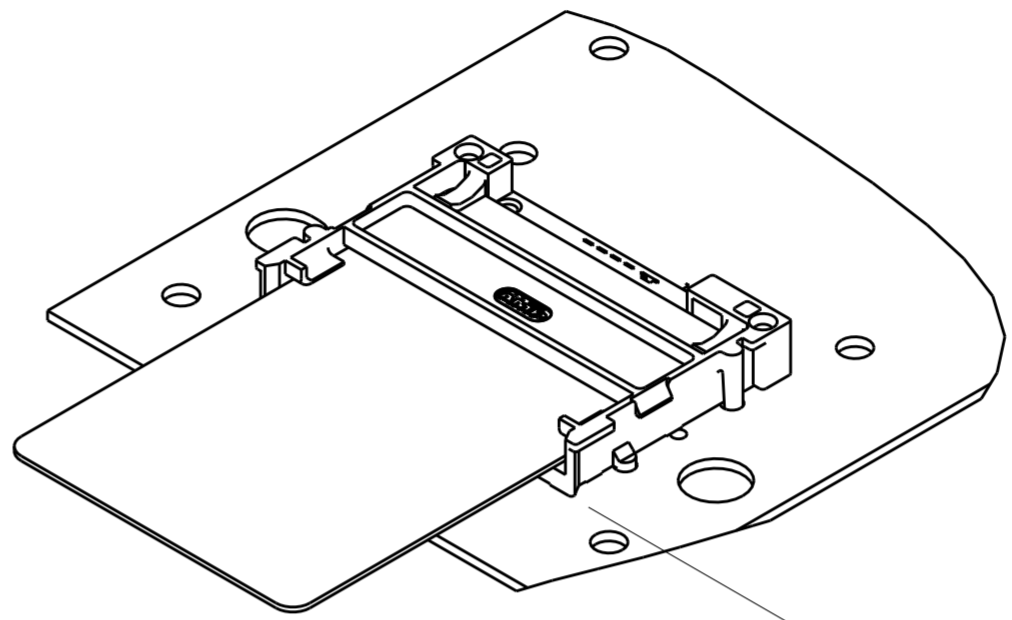
8 POSITIONS CONFIGURATION
 (CONNECTOR SIDE)
 SCALE 2:1



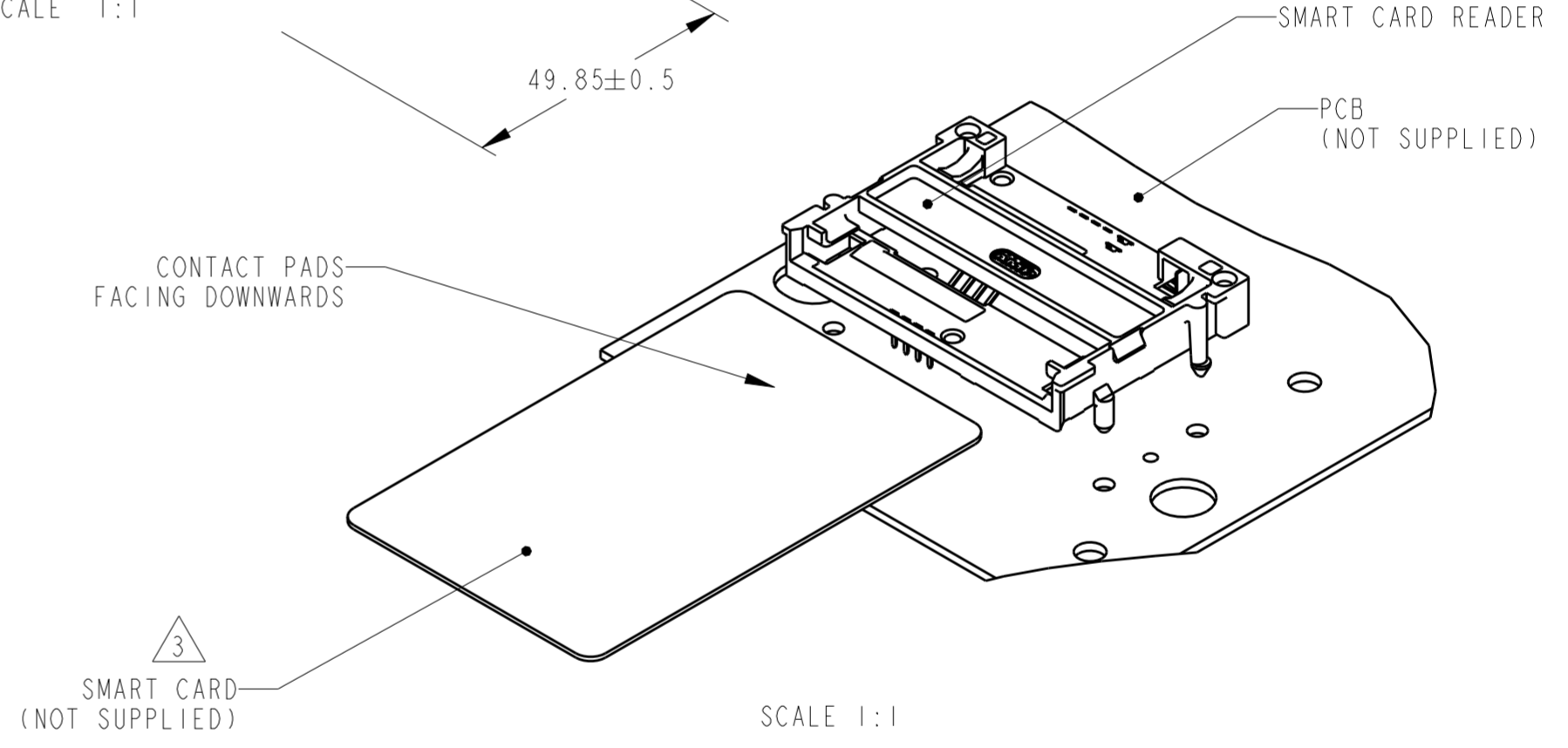
16 POSITIONS CONFIGURATION
 (CONNECTOR SIDE)

POSITION TOLERANCE FOR ALL HOLES $\pm \phi 0.1$
 PCB BOARD THICKNESS 1.57 ± 0.1 (.062)

RECOMMENDED PCB LAYOUT



SCALE 1:1



SCALE 1:1

PCB MOUNTING CONFIGURATION

THIS DRAWING IS A CONTROLLED DOCUMENT.		DWN R. Coolen 16 Dec 04	TE Connectivity	
DIMENSIONS: mm		CHK W. Jansen		
TOLERANCES UNLESS OTHERWISE SPECIFIED:		APVD P. Jaeger	PRODUCT SPEC	SMART CARD READER 0.76 PCB MOUNT THROUGH HOLE, LOW PROFILE BLADE SWITCH NORMALLY CLOSED
0 PLC ±0,5		APPLICATION SPEC	108-15202	SIZE
1 PLC ±0,3		WEIGHT	8,5/9 g	CAGE CODE
2 PLC ±0,13		CUSTOMER DRAWING		DRAWING NO
3 PLC ±		SCALE	1:1	RESTRICTED TO
4 PLC ±		SHEET	2 OF 2	REV
ANGLES ±				D
FINISH ±				