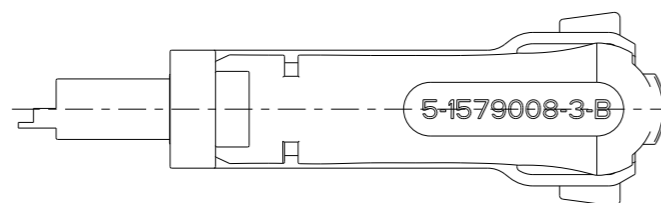
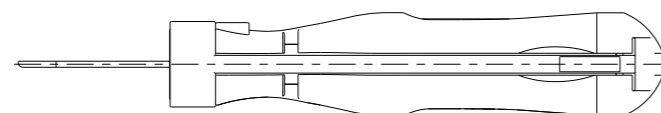
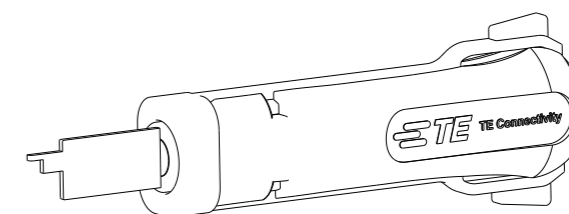
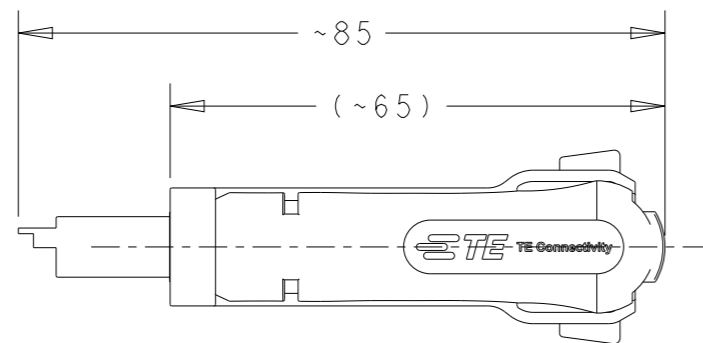

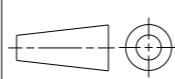


REVISIONS

P	LTR	DESCRIPTION	DATE	DWN	APVD
	B	ECR-22-148164	01AUG2022	RRD	BM
	B1	ECR-22-149198	11AUG2022	RRD	BM



FOR CONTACTS/HOUSINGS:  
MicroMatch Cosi Contact 338096, 338095

THIS DRAWING IS A CONTROLLED DOCUMENT.		DWN H. FINK 06.03.2007	 TE Connectivity	
DIMENSIONS: mm		CHK G. STEGMAYER 07.03.2007		
TOLERANCES UNLESS OTHERWISE SPECIFIED:		APVD G. STEGMAYER 07.03.2007	NAME EXTRACTION TOOL	
		PRODUCT SPEC -	RESTRICTED TO -	
MATERIAL -		FINISH -	APPLICATION SPEC -	SIZE A3
		WEIGHT 0.017 kg	CAGE CODE A300779	DRAWING NO C-5-1579008-3
		CUSTOMER DRAWING	SCALE 1:1	SHEET 1 OF 1
				REV B1