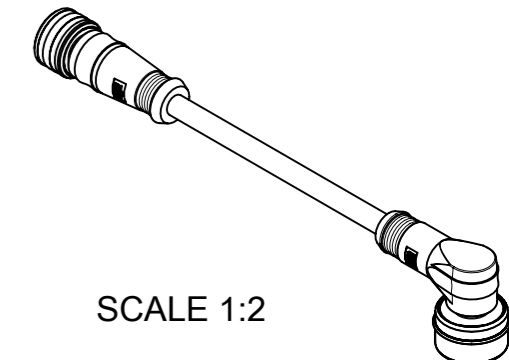
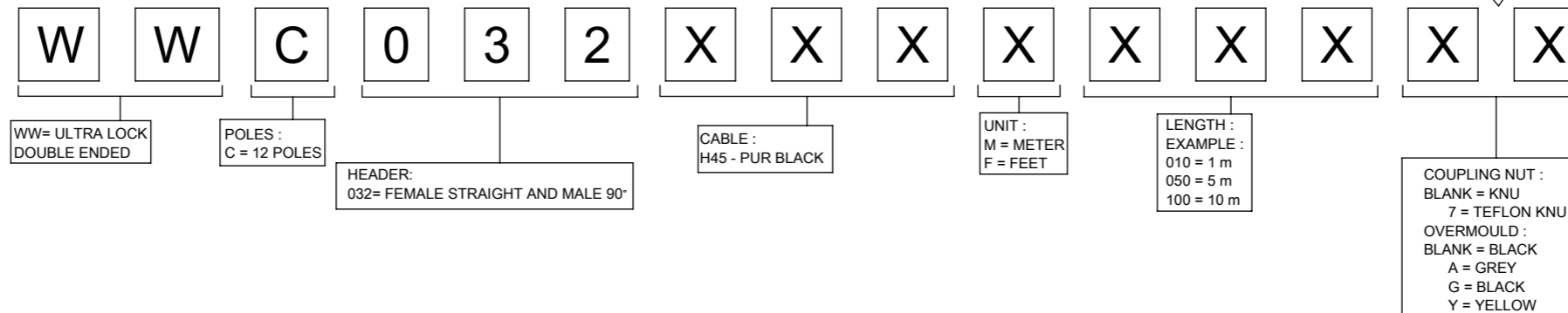


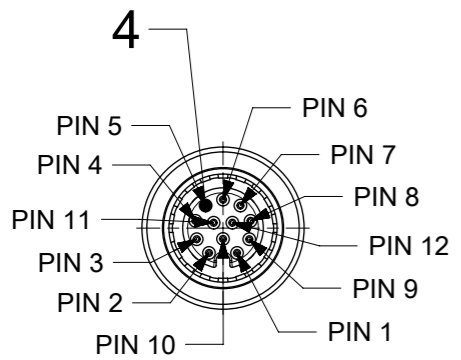
NOTES :

RATED VOLTAGE : 30V AC/DC
 RATED CURRENT : 1.5 Amps
 CONTACT RESISTANCE : <5 mOhm
 IP RATING : IP67
 TEMPERATURE RANGE : -25°C TO +90°C

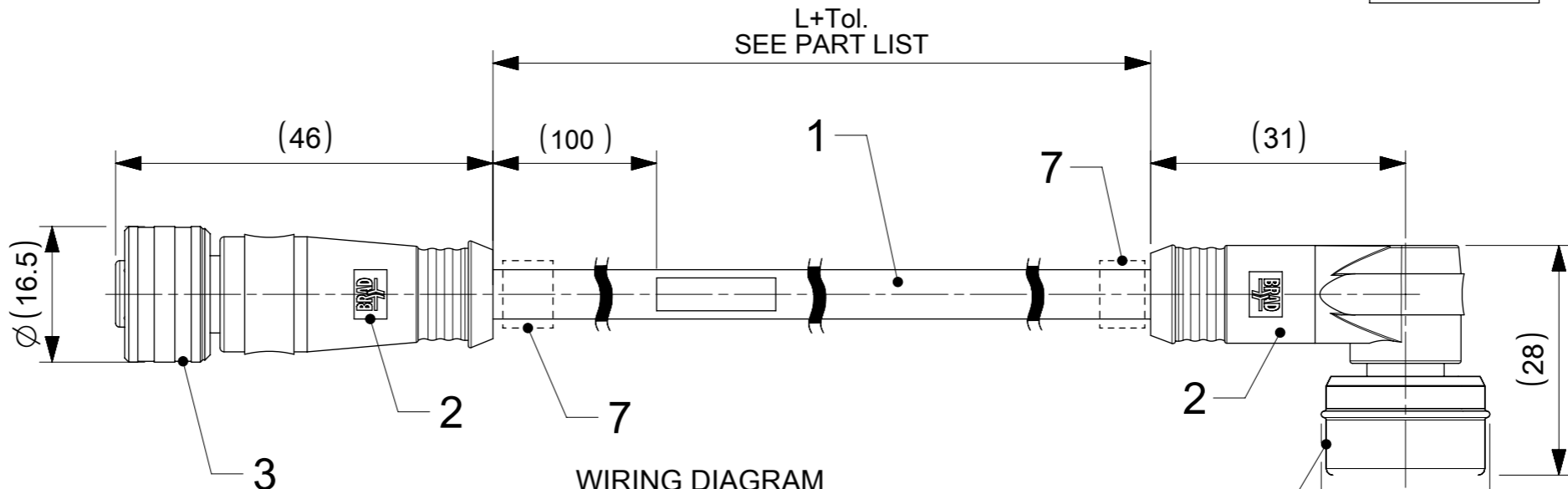
PART No MATRIX



SCALE 1:2

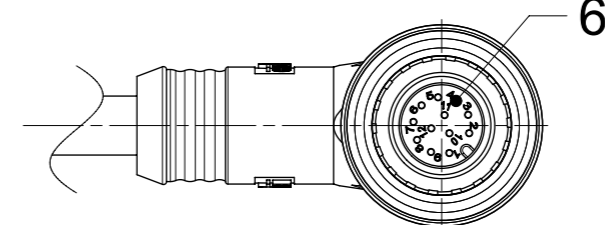


VIEW FROM THE FRONT SIDE



WIRING DIAGRAM

PIN 1	WH	PIN 1
PIN 2	BN	PIN 2
PIN 3	GN	PIN 3
PIN 4	YE	PIN 4
PIN 5	GY	PIN 5
PIN 6	PK	PIN 6
PIN 7	BU	PIN 7
PIN 8	RD	PIN 8
PIN 9	BK	PIN 9
PIN 10	VT	PIN 10
PIN 11	GY/PK	PIN 11
PIN 12	RD/BU	PIN 12



VIEW FROM THE FRONT SIDE

BOM

ITEM	QTY	DESCRIPTION	MATERIAL	COLOR/FINISH
7	2	I/D CARRIER	-	-
6	12	MALE CONTACT	BRASS	Au OVER Ni-PLATED
5	1	MALE ULTRALOCK ASSEMBLY	-	-
4	12	FEMALE CONTACT	BRASS	Au OVER Ni-PLATED
3	1	FEMALE ULTRALOCK ASSEMBLY	-	-
2	-	OVERMOULD	TPU	BLACK
1	-	CABLE	PUR	BLACK

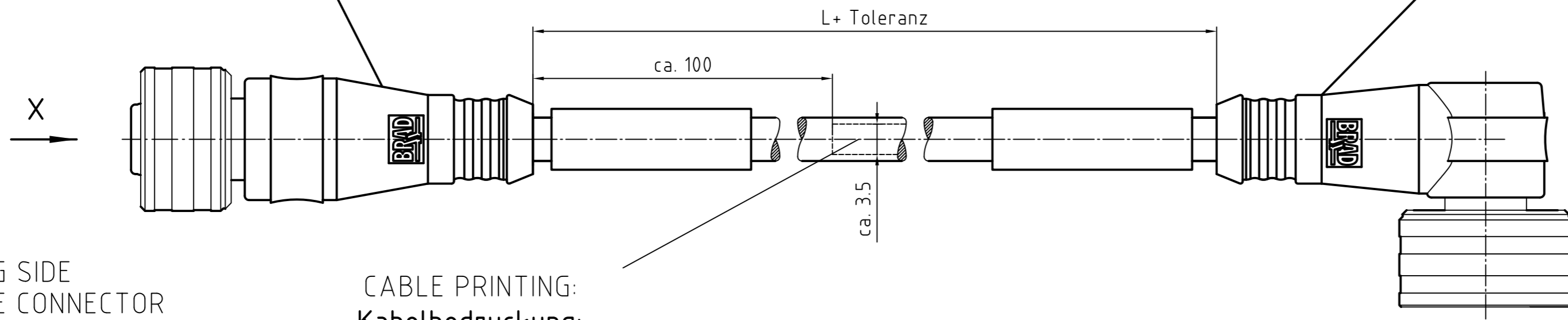
PART LIST

MOLEX P/N	ENG No.	L+Tol[mm]
1200805090	WWC032H45M010	1000+20/-10
1200808047	WWC032H45M020	2000±25

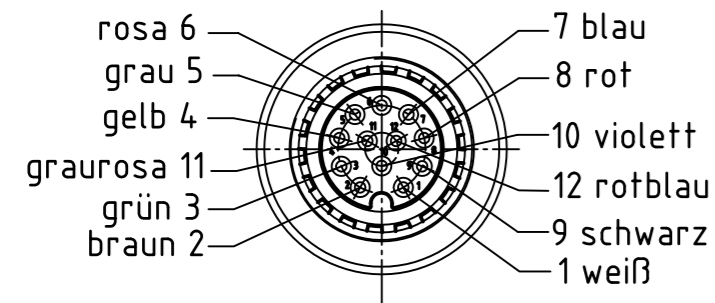
FUNCTIONAL SYMBOLS FA=0 FE=0 FE=0	THIS DRAWING CONTAINS INFORMATION THAT IS PROPRIETARY TO MOLEX ELECTRONIC TECHNOLOGIES, LLC AND SHOULD NOT BE USED WITHOUT WRITTEN PERMISSION	SCALE: 2:1	CURRENT REV DESC:							
	DIMENSION UNITS: mm	GENERAL TOLERANCES (UNLESS SPECIFIED): ANGULAR TOL ± 1.0°	EC NO: 700705							
	DIVISIONAL SYMBOLS	4 PLACES ±	DRWN: SSM	2022/02/28						
	3 PLACES ±	2 PLACES ± 0.05	CHK'D: RSILLER	2022/03/25						
1 PLACE ± 0.3	0 PLACES ± 0.5	INITIAL REVISION:	DRWN: SSM	2022/02/28	DOCUMENT NUMBER: 1200805090					
DRAFT WHERE APPLICABLE MUST REMAIN WITHIN DIMENSIONS		THIRD ANGLE PROJECTION	DRAWING: A3-SIZE	SERIES: 120080	MATERIAL NUMBER: SEE PART LIST	CUSTOMER: GENERAL MARKET	DOC TYPE: PSD	DOC PART: 000	REVISION: A	SHEET NUMBER: 1 OF 1

OVERMOLD PUR SEE TABLE
Umspritzung PUR siehe Tabelle

OVERMOLD PUR SEE TABLE
Umspritzung PUR siehe Tabelle

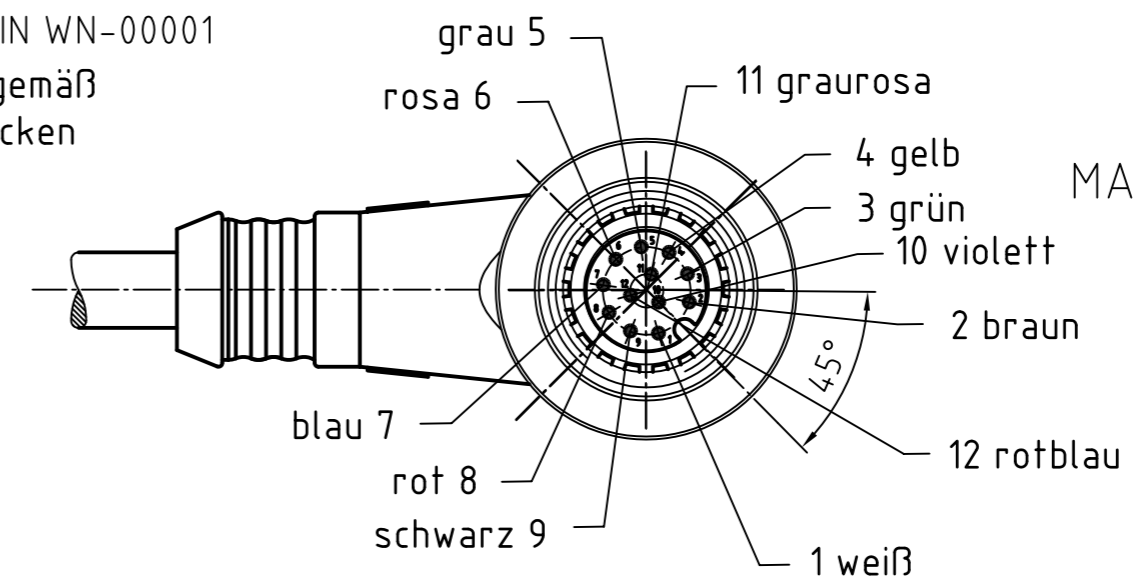


MATING SIDE
FEMALE CABLE CONNECTOR
Ansicht X
Steckseite
Kabeldose U-Lock
12-Pol



CABLE PRINTING:
Kabelbedruckung:
Woodhead Connectivity GmbH WWC032H45MXXX X..

PROD. DATE AS DEFINED IN WN-00001
Fertigungsdatum gemäß
WN-00001 aufdrucken



MATING SIDE
MALE CABLE CONNECTOR
Steckseite
Kabelstecker U-Lock
12-Pol

Allgemeine Kennwerte General Characteristics		Norm Standard	
Polzahl Kontaktanordnung	Number of contacts Contact configuration	IEC 947-5-2	12
Bemessungsspannung	Rated Voltage	IEC 664	30V AC / DC
Verschmutzungsgrad	Pollution Degree	IEC 664	3
Betriebstrom	Current carrying capacity	IEC 512-3 Test 5 b	1,5A
Durchgangswiderstand	Contact Resistance	IEC 512-2 Test 2 a	< 5m0hm
Bemessungsstoßspannung	Rated Impulse Withstand Voltage	IEC 664	0,8 kV
Prüfspannung	Test Voltage	IEC 60512-2 Test 4 A	0,5 kV / 60 sec
Isolationswiderstand	Insulation Resistance	IEC 512-2 Test 3 A	> 100 M0hm
IP-Schutzart	IP Degree of Protection	IEC 529	IP 67
Stiftdurchmesser	Pin Diameter		0,6 mm
Werkstoffe	Kontakte	Materials	Kupferlegierung / copper alloy
	Kontaktfläche		Au/Ni
	Kontaktträger		PUR
	Gehäuse (Umspritzung)		PUR
	Dichtung (O-Ring)		VITON
Schiebehülse		CuZn (brass) mit Ni-Oberfläche Nickel Plated	
Anschlussart	Termination		Crimp
Brennbarkeit	Kontaktträger	Flammfähigkeit	HB
	Gehäuse (Umspritzung)		HB
	Leitung / Kabel		DIN EN265-2-1/UL1581-VW1-Page 95A
Mechanische Lebensdauer	Mechanical Operation		100 Steckzyklen/Mating Cycles
Temperaturbereich	Temperature Range	IEC 60668-1	-25°C / +90°C

SAP-Nummer	Engineering Nr.:	Umspritzungsfarbe	L-Länge
SAP-Number		Overmold Color	Length
1200805090	WWC032H45M010	yellow	1M

Toleranzen Maß L: sichtbare Kabellänge bei M8, M12 und M12U	
von 0 bis 0.6 m:	±10 mm
über 0.6 bis 1 m:	+30 / -10 mm
über 1 bis 5 m:	±25 mm
über 5 bis 20 m:	±30 mm
über 20 m:	±50 mm

BU/ BLUE WH/ WHITE GN/ GREEN GY/ GREY PK/ PINK YE/ YELLOW RD/ RED BK/ BLACK VT/ VIOLET BN/ BROWN	bl/blau ws/weiß gn/grün gr/grau rs/rosa ge/gelb rt/rot sw/schwarz vi/violett bn/braun
---	--

(...) Dim. for information
(...) Informationsmaß

DESCRIPTION EC NO: WEU2010-0435 DRWN: LSTEMMLE 2010/03/17 CHKD: NS APPR: FPACHER 2010/03/19	QUALITY SYMBOLS	GENERAL TOLERANCES (UNLESS SPECIFIED)	DIMENSION STYLE	SCALE	DESIGN UNITS	FIRST ANGLE PROJECTION
	▽ = 0 ◊ = 0	mm INCH	MM ONLY	2:1	METRIC	
		4 PLACES ±--- ±--- 3 PLACES ±--- ±--- 2 PLACES ±0.05 ±--- 1 PLACE ±0.1 ±---	DRAWN BY DATE LSTEMMLE 2010/03/17 CHECKED BY DATE NS 2010/03/18 APPROVED BY DATE FPACHER 2010/03/18	M12U-12P-FE-STR-M-90 PUR/0.14-XM		
		ANGULAR ± --- °	MATERIAL NO. DOCUMENT NO. SHEET NO.	MOLEX INCORPORATED SD-120080-051 1 OF 1		
1	REV	DRAFT WHERE APPLICABLE MUST REMAIN WITHIN DIMENSIONS	SIZE A2	THIS DRAWING CONTAINS INFORMATION THAT IS PROPRIETARY TO MOLEX INCORPORATED AND SHOULD NOT BE USED WITHOUT WRITTEN PERMISSION		