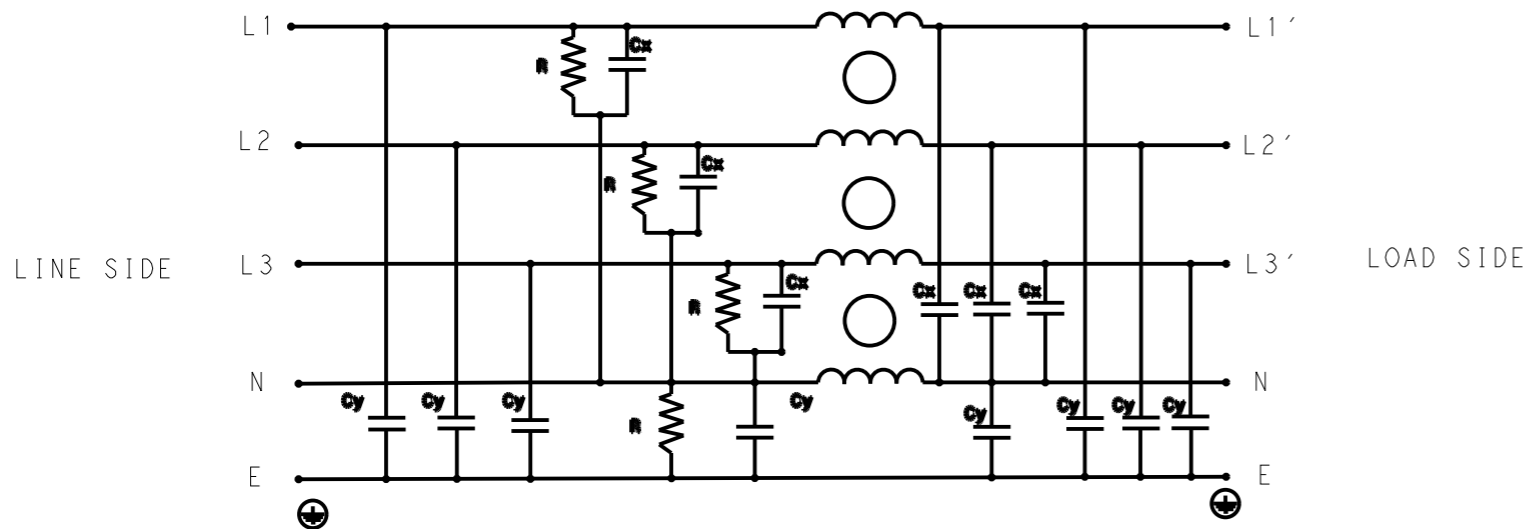


| P | LTR | DESCRIPTION     | DATE      | DWN | APVD |
|---|-----|-----------------|-----------|-----|------|
|   | A   | INITIAL RELEASE | 12APR2021 | BS  | CB   |
|   |     |                 |           |     |      |
|   |     |                 |           |     |      |



SCHEMATIC

**SAFETY ORGANIZATIONS**  
 THIS FILTER WILL BE FORMALLY RECOGNIZED, CERTIFIED OR APPROVED BY THE LISTED AGENCY. THEREFORE, ALL TEST/REQUIREMENTS SPECIFIED IN THE LATEST REVISION OF THE FOLLOWING AGENCY STANDARDS WILL BE MET:

UL APPROVED 10A 440V 50Hz/60Hz 40°C  
 CSA APPROVED 10A 440V 50Hz/60Hz 40°C

**OPERATING SPECIFICATION**  
 LINE CURRENT/VOLTAGE: 10A, 440VAC  
 LINE FREQUENCY: 50/60Hz

MAXIMUM LEAKAGE CURRENT: 8.5mA @ 230VAC, 50Hz  
 OPERATING AMBIENT TEMPERATURE RANGE @ RATED CURRENT: -25°C TO +40°C

IN AN AMBIENT, T<sub>a</sub>, HIGHER THAN 40°C, THE MAXIMUM OPERATING CURRENT, I<sub>o</sub>, IS AS FOLLOWS:

$$I_o = I_r \sqrt{\frac{85 - T_a}{45}}$$

**RELIABILITY SPECIFICATIONS**  
 STORAGE TEMPERATURE: -40°C TO +85°C  
 HUMIDITY: 21 DAYS @ 40°C AND 95% RH

**TEST SPECIFICATIONS**  
 INDUCTANCE, NOMINAL: 7.5mH

CAPACITANCE @ 1kHz  
 LINE TO GROUND, NOMINAL: 1.1µF  
 NEUTRAL TO GROUND, NOMINAL: 2.2µF  
 LINE TO NEUTRAL, NOMINAL: 2µF

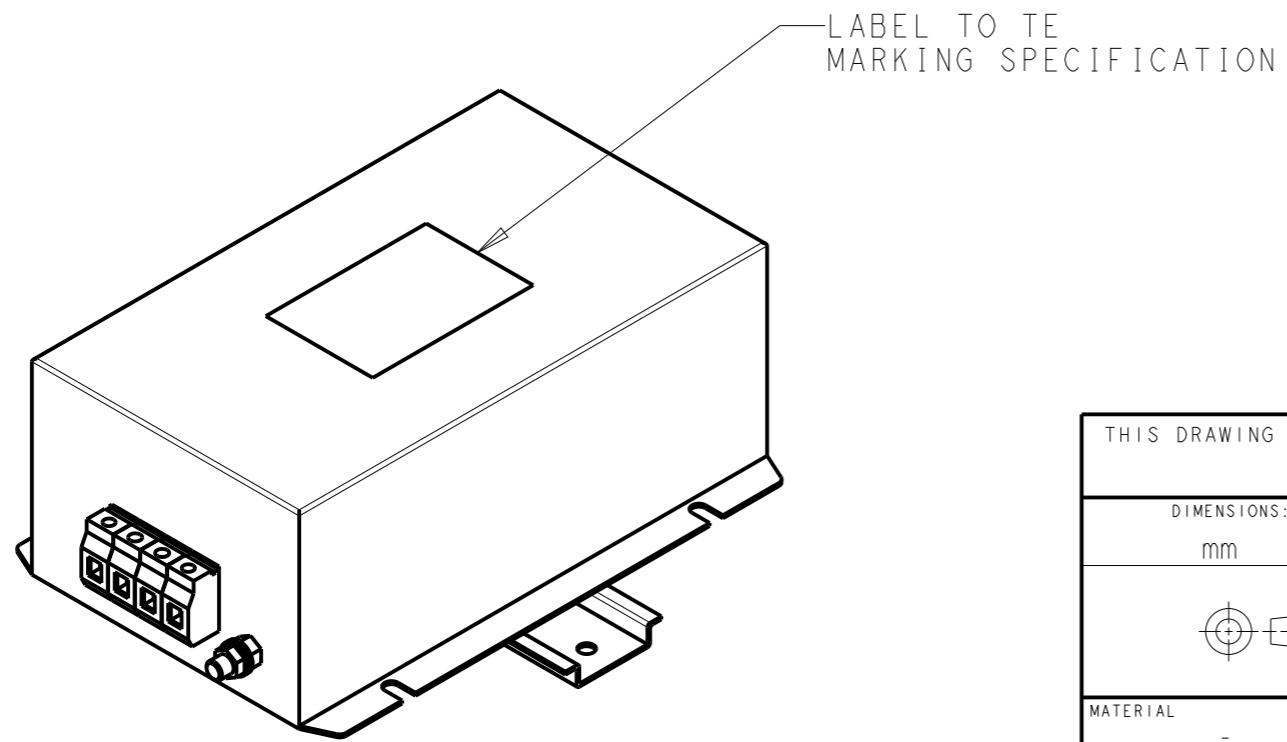
DISCHARGE RESISTOR  
 L/L I.R. 2MΩ 1W  
 L/N I.R. 1MΩ 1W  
 L/G I.R. 2MΩ 1W  
 N/G I.R. 1MΩ 1W  
 IR (NO DISCHARGE RESISTOR) 20°C, 50% RH AND 100VDC, MIN: 6MΩ

**RECOMMENDED RECEIVING INSPECITON HIPOT**  
 LINE TO GROUND FOR 1 MINUTE: 2632VDC  
 LINE TO LINE FOR 1 MINUTE: 1892VDC  
 LINE TO NEUTRAL FOR 1 MINUTE: 1093VDC

**FILTER APPROVAL**  
 THE BEST WAY TO SELECT AND QUALIFY A FILTER IS FOR YOUR ENGINEERING TO TEST THE UNIT IN YOUR EQUIPMENT.

TYPICAL INSERTION LOSS  
 COMMON MODE 50/50Ω; DIFFERENTIAL MODE 50/50Ω

| MHz | 0.01 | 0.05 | 0.15 | 0.5 | 1  | 3  | 5  | 10 | 30 |
|-----|------|------|------|-----|----|----|----|----|----|
| CM  | 60   | 60   | 59   | 54  | 50 | 42 | 37 | 32 | 26 |
| DM  | 30   | 31   | 40   | 54  | 46 | 38 | 33 | 29 | 24 |



|  |  |                               |   |  |
|--|--|-------------------------------|---|--|
| THIS DRAWING IS A CONTROLLED DOCUMENT. |  | DWN 12APR2021<br>BAPAT SAHAS  |   |  |
| DIMENSIONS: mm                         |  | CHK 12APR2021<br>CHRIS BOLLE  |   |  |
| TOLERANCES UNLESS OTHERWISE SPECIFIED: |  | APVD 12APR2021<br>CHRIS BOLLE | NAME<br>POWER LINE FILTER FOR<br>DIN 35 RAIL INSTALLATION<br>10KEPS10AFPWHM |  |
| 0 PLC ±-                               |  | PRODUCT SPEC                  | SIZE  |  |
| 1 PLC ±0.5                             |  | APPLICATION SPEC              | CAGE CODE   |  |
| 2 PLC ±0.40                            |  |                               | DRAWING NO  |  |
| 3 PLC ±0.130                           |  |                               | RESTRICTED TO   |  |
| 4 PLC ±0.0500                          |  |                               | A300779   |  |
| ANGLES ±-                              |  | WEIGHT                        | C-8-1609968-4   |  |
| MATERIAL                               |  |                               | SCALE 1:2   |  |
| FINISH                                 |  |                               | SHEET 1 OF 2  |  |
|  |  |                               | REV A   |  |
|  |  | CUSTOMER DRAWING              |   |  |

© 2021 TE Connectivity. All Rights Reserved.

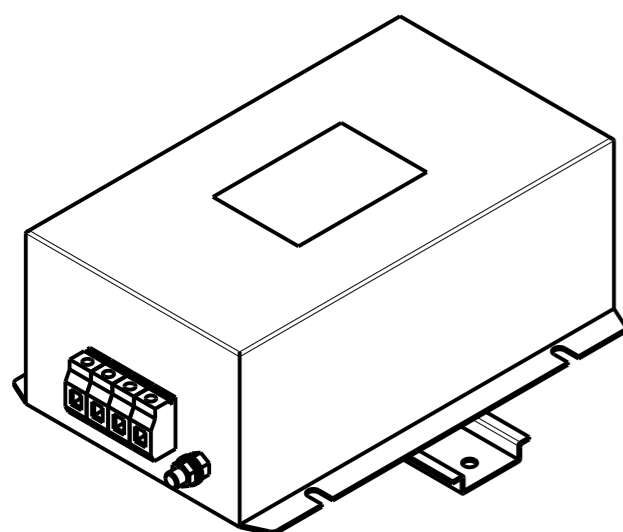
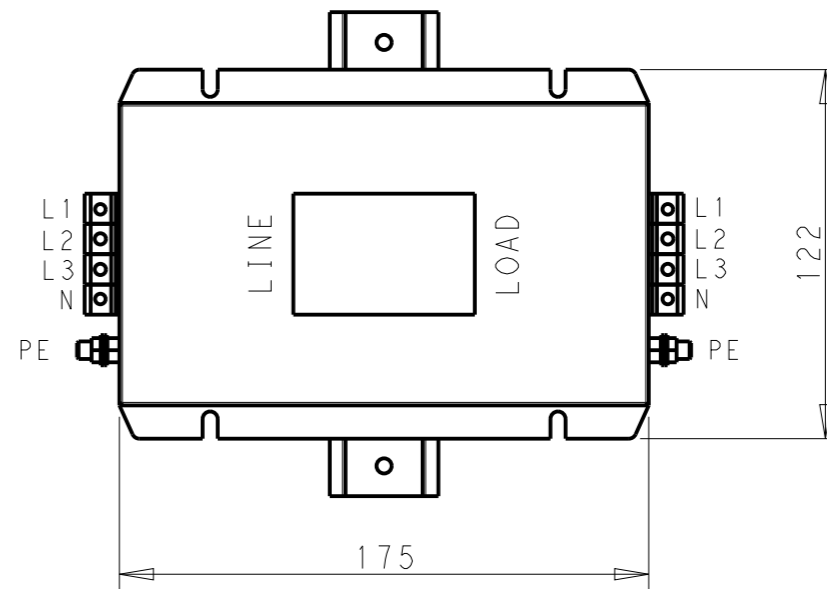
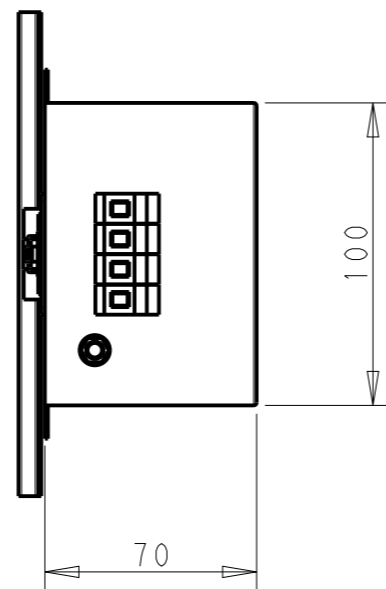
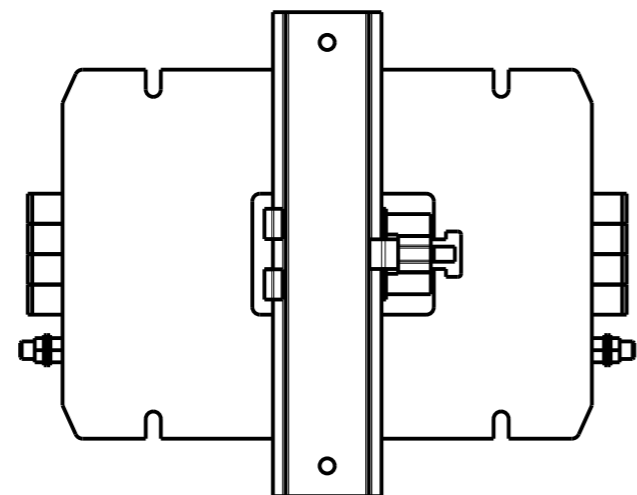
NOTE 1 GROUND CONNECTION:  
 FOR ELECTRICAL SAFETY AND FILTER PERFORMANCE  
 UNIT MUST HAVE A GOOD GROUND CONNECTION.  
 TORQUE OUTER TERMINAL SCREWS: 0.5Nm / 4.5 in.lbs  
 TORQUE GROUND NUTS: 2.5-3Nm

NOTE 2 INPUT OUTPUT CONNECTION TERMINAL  
 AWG SIZE: 26-12 AWG  
 WIRE SECTION: 4 mm<sup>2</sup>  
 THREADED BOLT SIZE FOR GROUND: M6

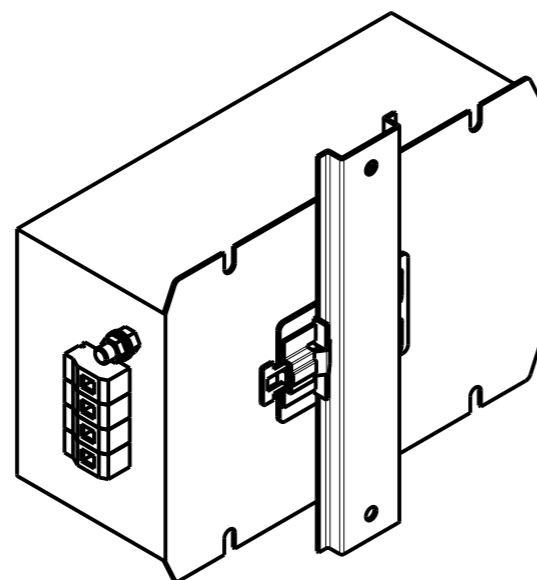
NOTE 3 SUPPLIED WITH DIN RAIL BRACKET

NOTE 4 DRAWINGS SHOWS DIN RAIL FOR REFERENCE ONLY

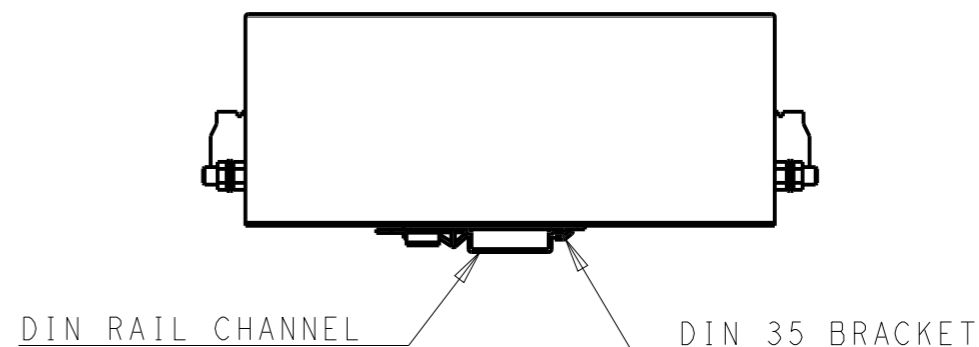
| REVISIONS |     |             |      |     |      |
|-----------|-----|-------------|------|-----|------|
| P         | LTR | DESCRIPTION | DATE | DWN | APVD |
|           |     | SEE SHEET 1 |      |     |      |
|           |     |             |      |     |      |
|           |     |             |      |     |      |



FRONT SIDE



REAR SIDE



DIN RAIL CHANNEL

DIN 35 BRACKET

|  |        |                                  |   |  |               |
|--|--------|----------------------------------|---|--|---------------|
| THIS DRAWING IS A CONTROLLED DOCUMENT. |        | DWN<br>BAPAT SAHAS<br>12APR2021  |   |  |               |
| DIMENSIONS:<br>mm                      |        | CHK<br>CHRIS BOLLE<br>12APR2021  |   |  |               |
| TOLERANCES UNLESS OTHERWISE SPECIFIED: |        | APVD<br>CHRIS BOLLE<br>12APR2021 | NAME<br>POWER LINE FILTER FOR<br>DIN 35 RAIL INSTALLATION<br>10KEPS10AFPWHM |  |               |
| 0 PLC ±-                               |        | PRODUCT SPEC                     | SIZE  |  | RESTRICTED TO |
| 1 PLC ±0.5                             |        | APPLICATION SPEC                 | CAGE CODE   |  |               |
| 2 PLC ±0.40                            |        |                                  | DRAWING NO  |  |               |
| 3 PLC ±0.130                           |        | WEIGHT                           | A300779   |  |               |
| 4 PLC ±0.0500                          |        |                                  | C-8-1609968-4   |  |               |
| ANGLES ±-                              |        |                                  | SCALE   |  |               |
| MATERIAL                               | FINISH | CUSTOMER DRAWING                 | 2:5   |  | SHEET 2 OF 2  |
| -                                      | -      |                                  |   |  | REV A         |