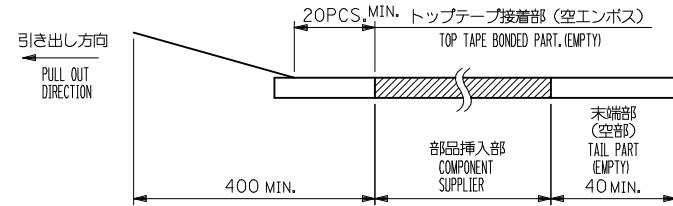
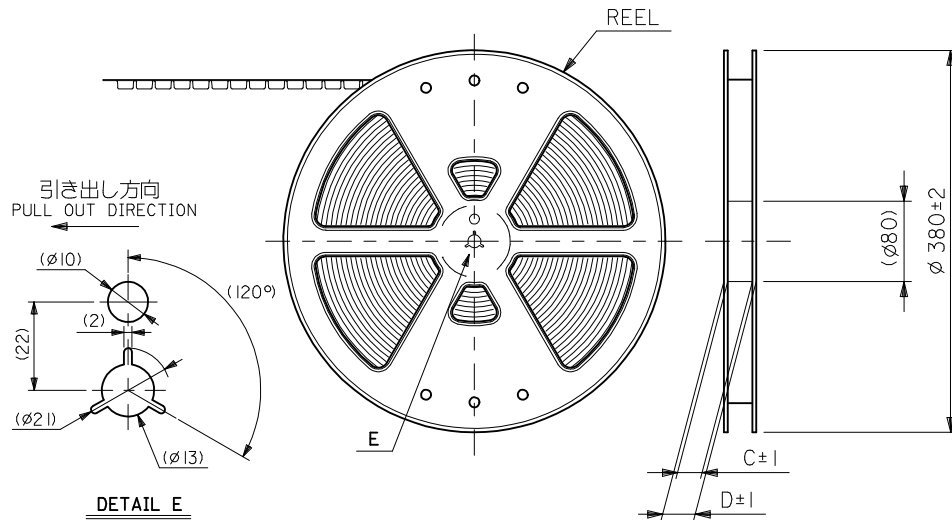
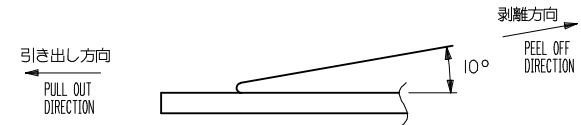


**注記 NOTES**

- 製品詳細寸法については、図面SD-54393-022を参照下さい。  
RE DETAILED DIMENSION, SEE SD-54393-022.
- 梱包数量：2000個/リール  
NUMBER OF CONNECTORS : 2000PCS/REEL
- リードテープ長さ LEAD TAPE LENGTH



- トップテープの剥離強度：0.1N~1.3N {10gf~130gf}  
(剥離方向は下図参照)  
尚、本規格値は出荷時に適用。(但し、輸送時に剥離が発生しないこと。)  
PEELING OFF FORCE OF TOP TAPE : 0.1N ~ 1.3N {10gf ~ 130gf}  
(PEELING DIRECTION AS SHOWN IN FOLLOWING FIG.)  
THIS REQUIREMENT SHOULD BE APPLIED AT SHIPMENT.  
PEEL OFF SHOULD NOT BE ALLOWED, DURING TRANSPORTATION.



- 材料 (MATERIAL)  
キャリアテープ (CARRIER TAPE) : ポリプロピレン (POLYPROPYLENE)  
トップテープ (TOP TAPE) : PET, PE, PEF  
リール (REEL) : ポリスチレン (PS) <リサイクル材を含む>  
POLYSTYREN (PS) <RECYCLE MATERIAL CONTAINED>
- 本製品は54393-\*\*92の鉛フリー品です。  
THIS PRODUCT IS LEAD FREE OF 54393-\*\*92

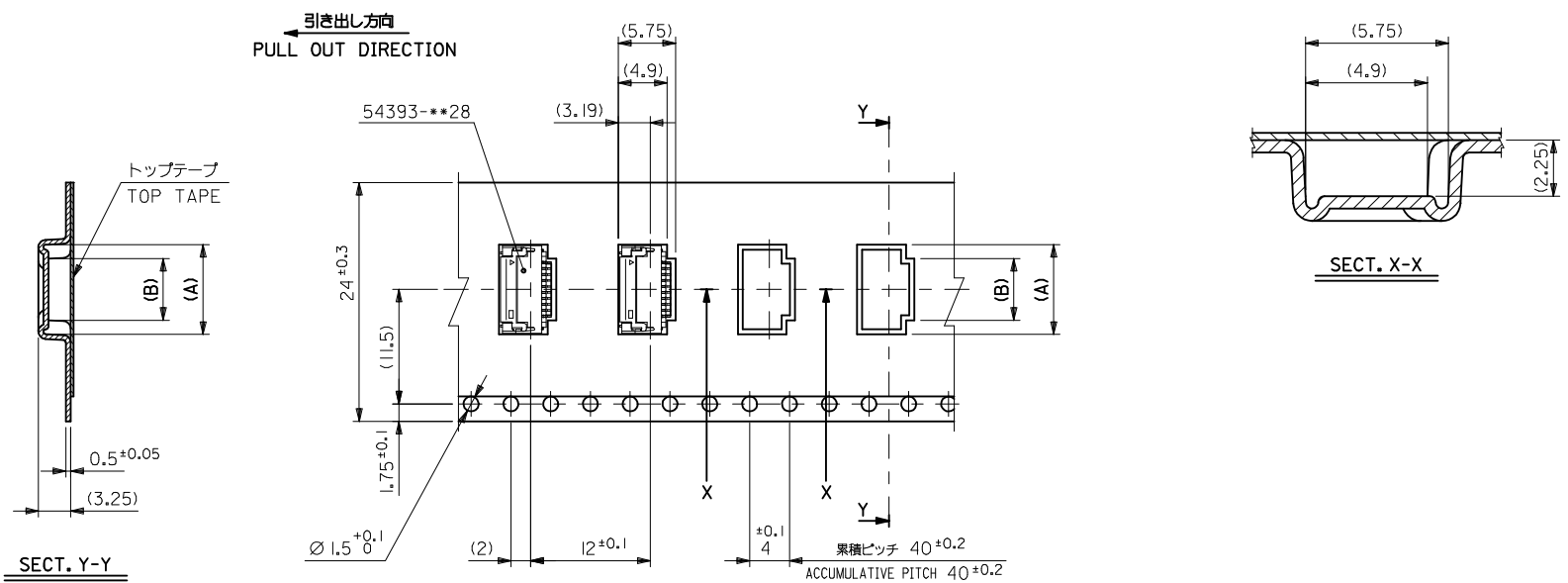
MATERIAL 材料  
注記参照  
SEE NOTES

REVISED	EC NO: J2017-0575	2017/05/30	2017/06/29
DRWNGES	CHKD: MSASAO	APPR: MSASAO	DESCRIPTION

GENERAL TOLERANCES (UNLESS SPECIFIED)		
0.25 UNDER		±0.03
0.25 OVER	0.5 UNDER	±0.05
0.5 OVER	1.0 UNDER	±0.1
1.0 OVER	10 UNDER	±0.2
10 OVER	30 UNDER	±0.25
30 OVER		±0.3
ANGULAR	±3	°

DIMENSION STYLE MM ONLY	
DRAWN BY T.UENO	DATE 2003/12/22
CHECKED BY M.SASAO	DATE 2003/12/22
APPROVED BY M.SASAO	DATE 2003/12/22
MATERIAL NO. SEE CHART	

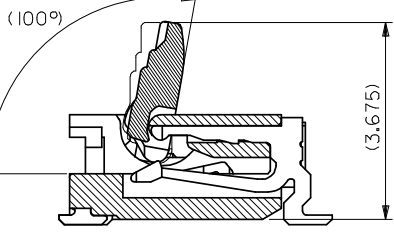
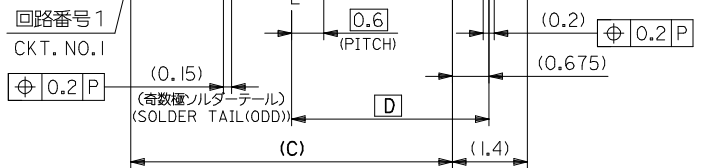
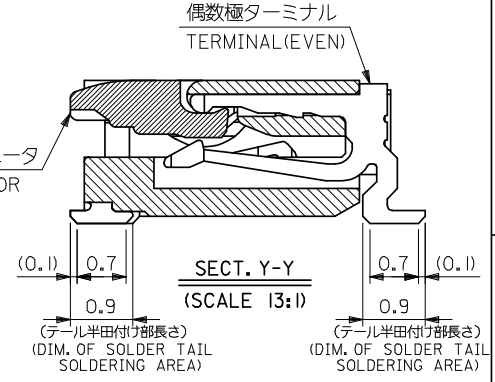
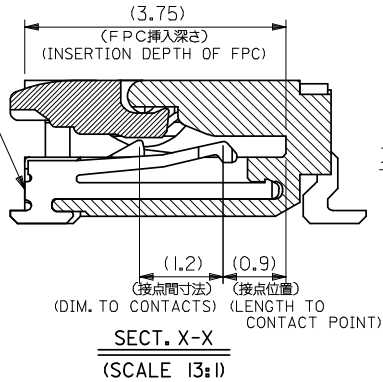
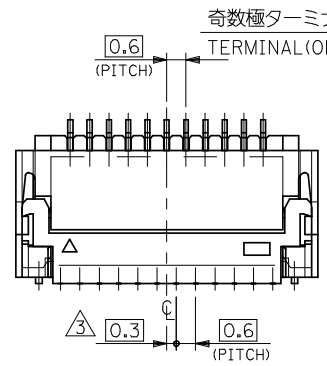
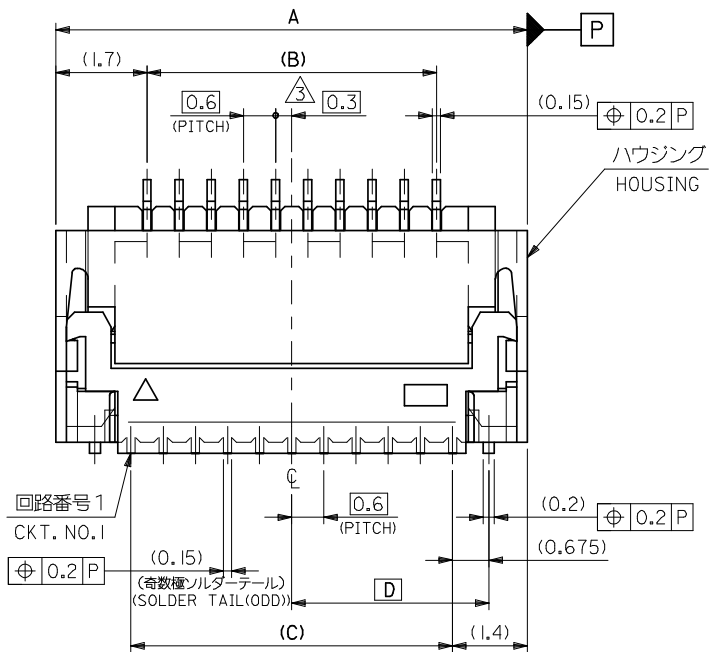
54393-**82	MODEL NO.
DESIGN UNITS METRIC	THIRD ANGLE PROJECTION
TITLE 0.3 FPC CONN (EASY ON) HSG ASSY EMBSTP PKG -LEAD FREE-	
<b>molex</b>	
DOCUMENT NO. SD-54393-017	SHEET NO. 1 OF 2



**24mm幅キャリアテープ**  
24mm WIDTH CARRIER TAPE

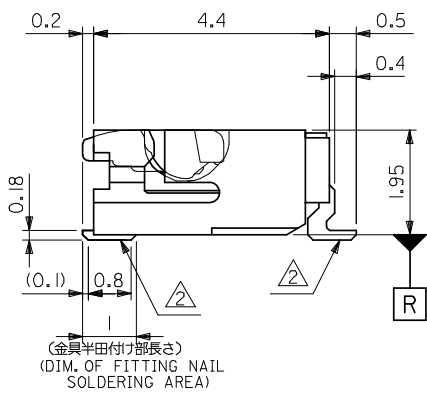
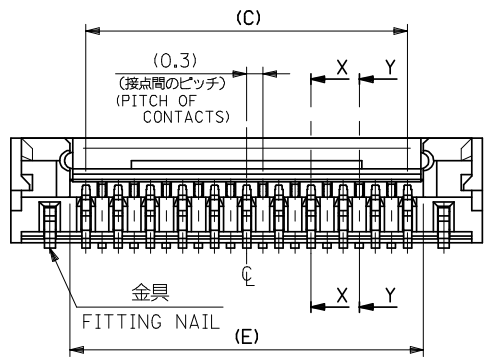
MATERIAL 材料  
注記参照  
SEE NOTES

REVISED EC NO: J2017-0575 DRAWINGS CHKD: APPR:MSASAO 2017/05/30 2017/06/29	DESCRIPTION	54393-***82		MODEL NO.		24	29.4	25.4	9.8	12.6	54393-3382	33
		GENERAL TOLERANCES (UNLESS SPECIFIED)		DIMENSION STYLE		CARRIER TAPE WIDTH			D	C	B	A
		0.25 UNDER	±0.03	MM ONLY		SCALE			DESIGN UNITS			THIRD ANGLE PROJECTION
		0.25 OVER	±0.05	DRAWN BY T.UENO		DATE 2003/12/22		METRIC			TITLE	
		0.5 OVER	±0.1	CHECKED BY M.SASAO		DATE 2003/12/22		0.3 FPC CONN (EASY ON) HSG ASSY EMBSTP PKG -LEAD FREE-			MATERIAL NO. 54393-2182	
		1.0 OVER	±0.2	APPROVED BY M.SASAO		DATE 2003/12/22		moLEX			SHEET NO. 2 OF 2	
		10 OVER	±0.25	MATERIAL NO.		DOCUMENT NO.		SEE CHART			SD-54393-017	
		30 OVER	±0.3	SIZE A3		THIS DRAWING CONTAINS INFORMATION THAT IS PROPRIETARY TO MOLEX ELECTRONIC TECHNOLOGIES, LLC AND SHOULD NOT BE USED WITHOUT WRITTEN PERMISSION						
		ANGULAR	±3 °	DRAFT WHERE APPLICABLE MUST REMAIN WITHIN DIMENSIONS								



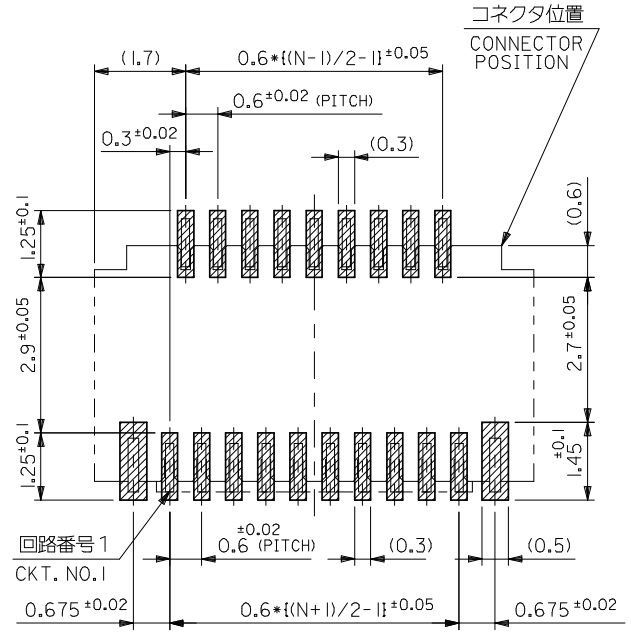
**注記 NOTES**

- 使用材料 MATERIAL  
 ハウジング : LCP , UL94V-0  
 アクチュエータ : PPS , UL94V-0  
 ターミナル : リン青銅 (t=0.15), ニッケル下地鍍ピスマスメッキ PHOS-BRO., TIN-BISMUTH OVER NICKEL PLATING.  
 金具 : リン青銅 (t=0.2), ニッケル下地鍍メッキ PHOS-BRO., TIN OVER NICKEL PLATING.  
 ソルダータール半田付け面のスレ量、及び金具半田付け面のスレ量は、基準面 R に対し、上方向 OMA X、下方向 O. 1.8 MAX. とする。  
 又、相互のパラッキ量は O. 1 MAX. とする。  
 MISALIGNMENT OF SOLDER TAILS AND FITTING NAILS FROM R UPPER DIRECTION : 0 MAX., LOWER DIRECTION : 0.18 MAX.  
 OFFSET BETWEEN SOLDER TAILS AND FITTING NAILS : 0.1 MAX.  
 (N-1)/2 が偶数の場合、偶数極側に適用。  
 (N-1)/2 が奇数の場合、奇数極側に適用。  
 IF (N-1)/2 = EVEN, APPLY FOR EVEN CIRCUIT SIDE,  
 IF (N-1)/2 = ODD, APPLY FOR ODD CIRCUIT SIDE.
- 一般公差 : ±0.3  
 GENERAL TOLERANCES : ±0.3
- 本製品は 54393-\*\*27 の鉛フリー品です  
 THIS PRODUCT IS LEAD FREE OF 54393-\*\*27



15.6	8.175	15	14.4	17.8	54393-5182	54393-5128	51
13.8	7.275	13.2	12.6	16	54393-4582	54393-4528	45
12	6.375	11.4	10.8	14.2	54393-3982	54393-3928	39
10.2	5.475	9.6	9	12.4	54393-3382	54393-3328	33
8.4	4.575	7.8	7.2	10.6	54393-2782	54393-2728	27
7.2	3.975	6.6	6.0	9.4	54393-2382	54393-2328	23
6.6	3.675	6	5.4	8.8	54393-2182	54393-2128	21
5.4	3.075	4.8	4.2	7.6	54393-1782	54393-1728	17
E	D	C	B	A	EMBOSSED TAPE	MATERIAL NO.	CKT.
					ORDER No. オート-番号		
					54393-**28	MODEL NO.	

REVISED EC NO: J2008-4034 DRWN: WABEI CHKD: THARUYAMA APPR: NUKITA	GENERAL TOLERANCES (UNLESS SPECIFIED)		DIMENSION STYLE MM ONLY		SCALE 10:1	DESIGN UNITS METRIC	THIRD ANGLE PROJECTION	
	10 UNDER	± ---	DRAWN BY T. UENO	DATE '03/12/22	TITLE 0.3 FPC CONN (EASY ON) HSG ASSY -LEAD FREE-			
	10 OVER 30 UNDER	± ---	CHECKED BY M. SASAO	DATE '03/12/22				
	30 OVER	± ---	APPROVED BY M. SASAO	DATE '03/12/22	MOLEX INCORPORATED			
	ANGULAR	± --- °	MATERIAL NO.					
DRAFT WHERE APPLICABLE MUST REMAIN WITHIN DIMENSIONS			SEE TABLE		SD-54393-022		1 OF 2	
THIS DRAWING CONTAINS INFORMATION THAT IS PROPRIETARY TO MOLEX INCORPORATED AND SHOULD NOT BE USED WITHOUT WRITTEN PERMISSION								



F P C 挿入側  
FPC INSERTION SIDE

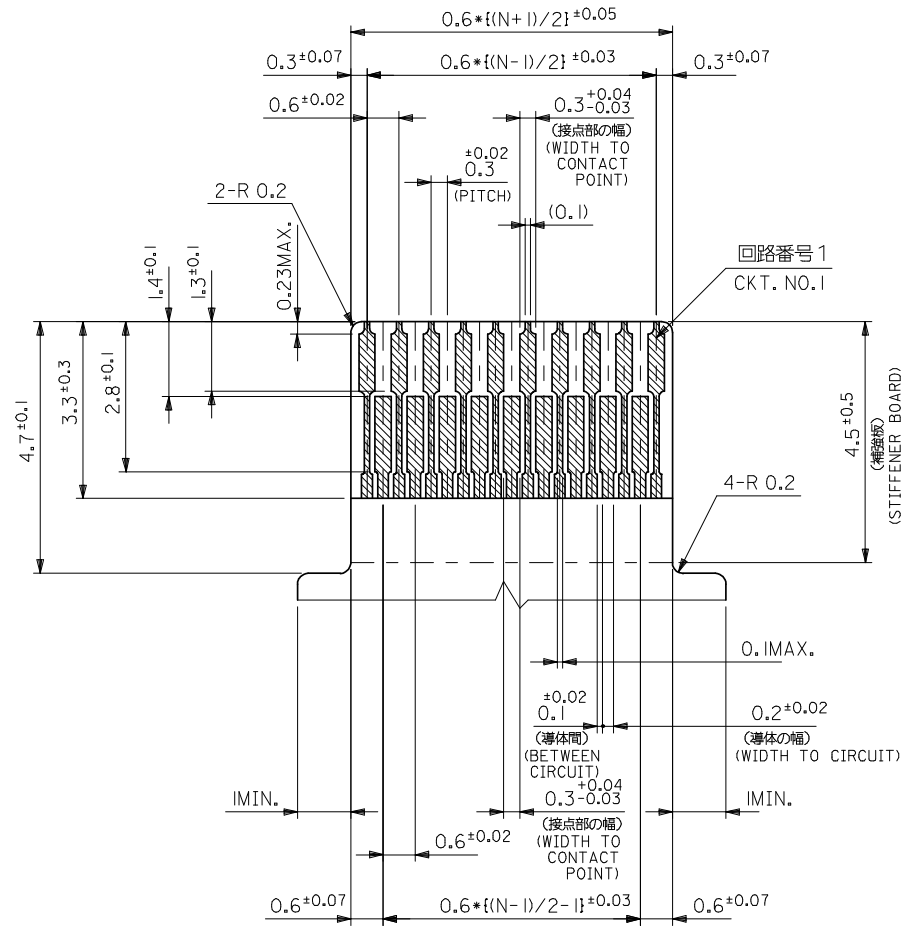
↑

参考基板レイアウト  
RECOMMENDED P.C.BOARD  
PATTERN DIM. (REF.)

(マウント面)  
(MOUNTING SIDE)

F P C について:  
打抜き方向は導体側から補強板側を推奨致します。  
補強フィルム材質はポリイミドを推奨致します。  
接着剤は熱硬化接着剤を推奨致します。

ABOUT FPC:  
RECOMMENDED PUNCHER DIRECTION : FROM CONDUCTOR SIDE TO STIFFENER BOARD SIDE.  
RECOMMENDED MATERIAL:  
STIFFENER FILM : POLYIMIDE  
BONDING AGENT : THERMOSETTING BONDING AGENT



適合F P C 推奨寸法  
APPLICABLE FPC  
RECOMMENDED DIM.

(仕上がり厚さ : 0.2 ± 0.03 )  
(THICKNESS : 0.2 ± 0.03)

REVISED EC NO: J2008-4034 DRWN:WABEI CHKD:THARUYAMA APPR:NUKITA	DESCRIPTION 2008/05/28 2008/05/28 2008/05/28	GENERAL TOLERANCES (UNLESS SPECIFIED)		DIMENSION STYLE MM ONLY	SCALE 10:1	DESIGN UNITS METRIC	THIRD ANGLE PROJECTION		
		10 UNDER	± ---	DRAWN BY T. UENO	DATE '03/12/22	TITLE 0.3 FPC CONN (EASY ON) HSG ASSY -LEAD FREE-			
		10 OVER 30 UNDER	± ---	CHECKED BY M. SASAO	DATE '03/12/22	MOLEX INCORPORATED			
		30 OVER	± ---	APPROVED BY M. SASAO	DATE '03/12/22	DOCUMENT NO. SD-54393-022			
		ANGULAR	± --- °	MATERIAL NO. SEE SHEET 1		SHEET NO. 2 OF 2			
REV		DRAFT WHERE APPLICABLE MUST REMAIN WITHIN DIMENSIONS		THIS DRAWING CONTAINS INFORMATION THAT IS PROPRIETARY TO MOLEX INCORPORATED AND SHOULD NOT BE USED WITHOUT WRITTEN PERMISSION					