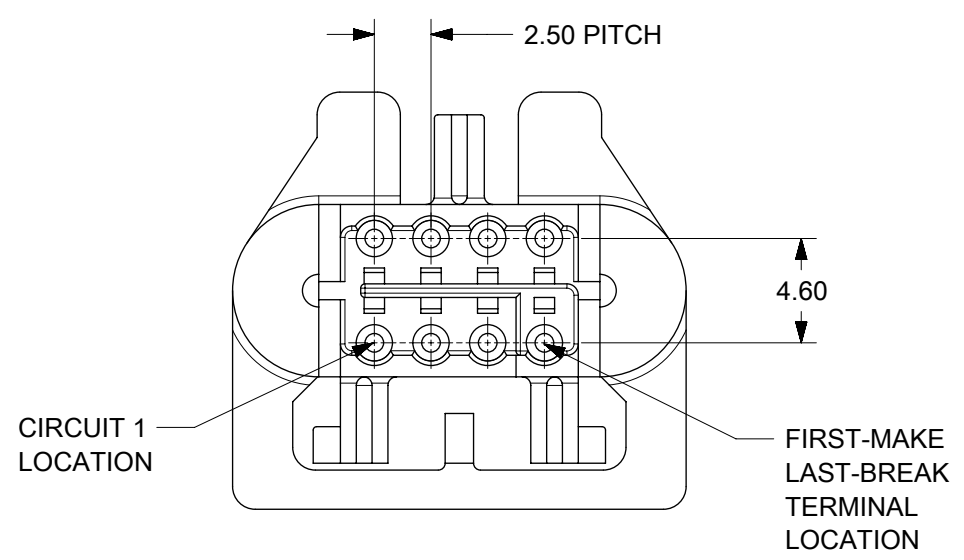
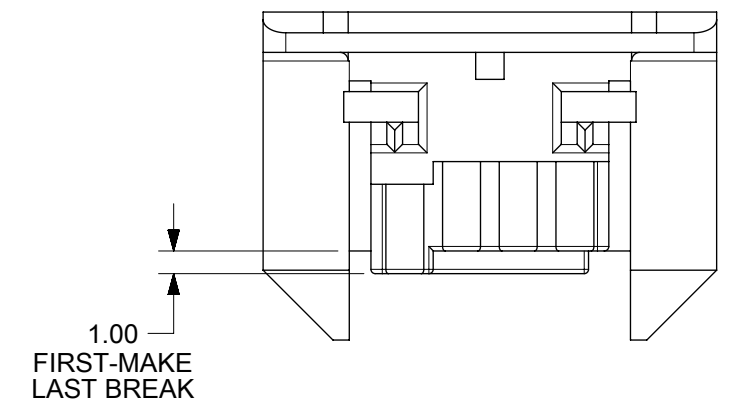
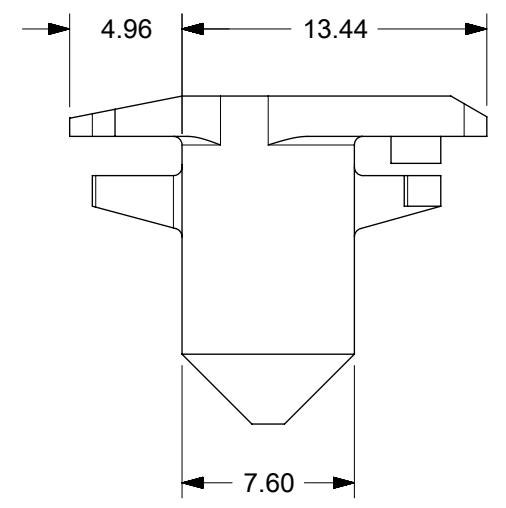
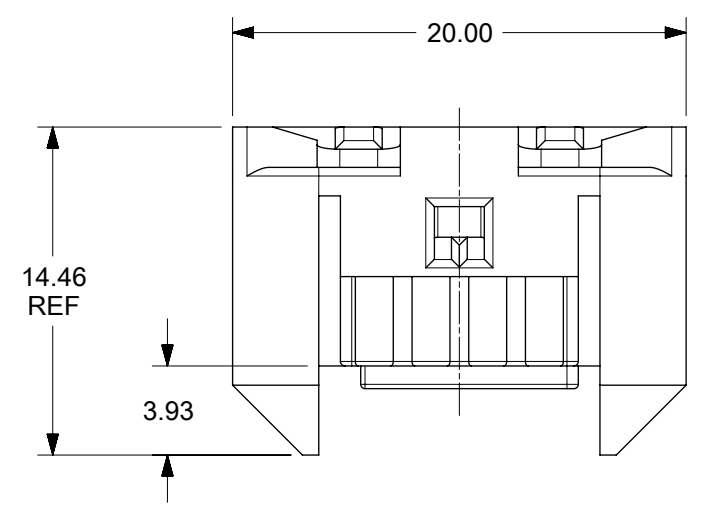
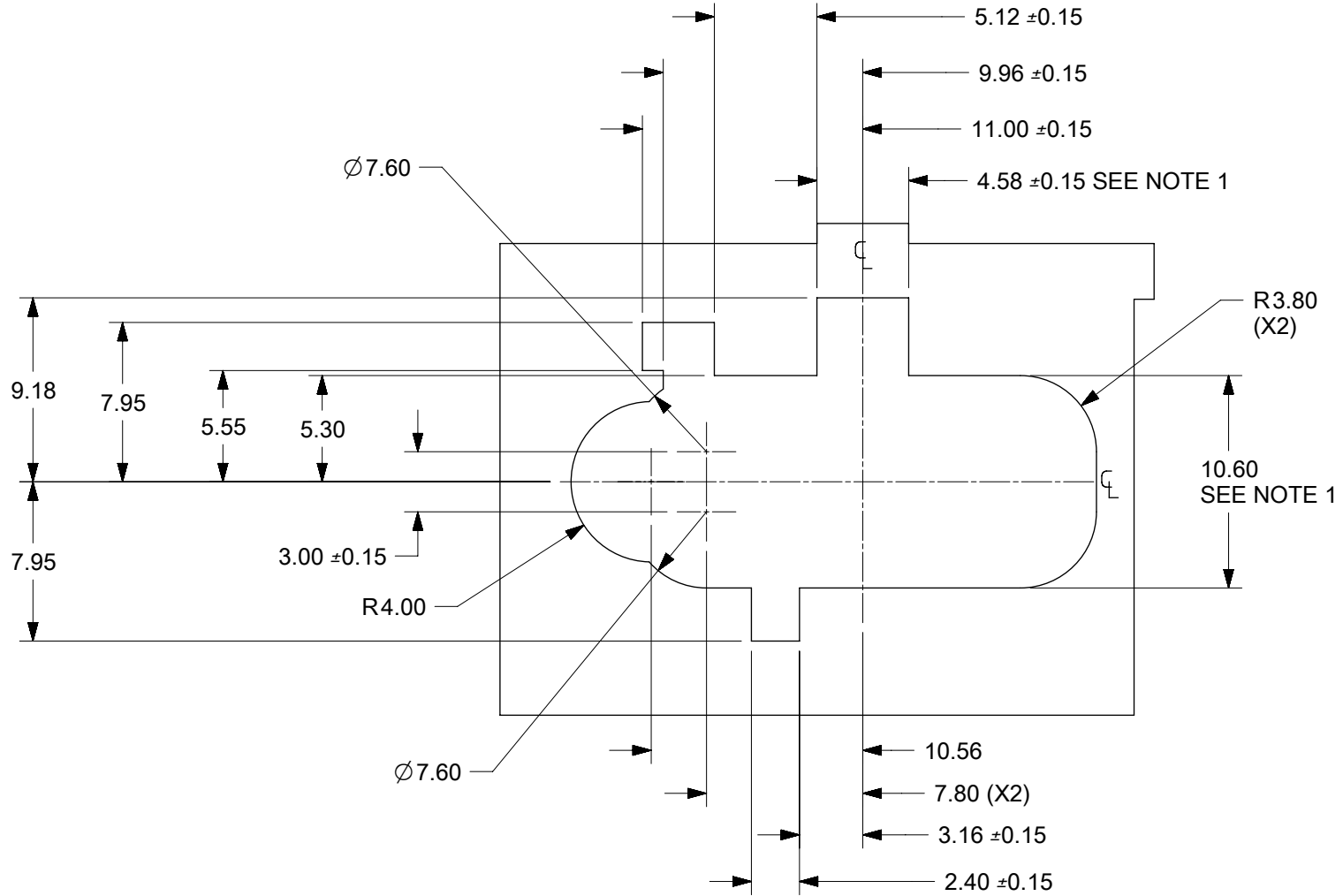


TERMINALS ARE TO BE ORIENTED AND LOADED INTO THE HOUSING AS SHOWN ABOVE

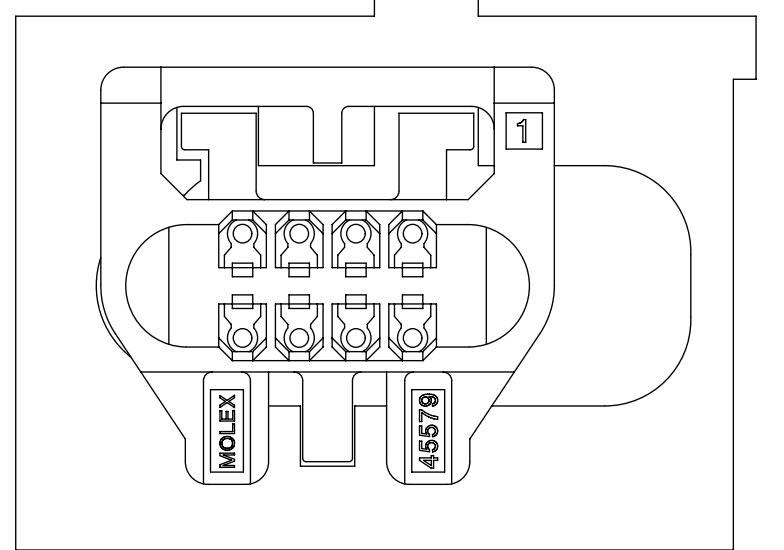
- NOTES:
1. MATERIAL: POLYESTER, UL94V-0, COLOR: BLACK.
 2. PRODUCT SPEC - PS-45579-001.
 3. USE FEMALE CRIMP TERMINAL. 08-70-1047 ONLY. (NOTE THE ORIENTATION OF TERMINALS).
 4. PART MATES WITH MOLEX PLUG SERIES 45579.
 5. PACKAGING: BULK.
 6. SEE PAGE 2 OF 2 FOR PANEL CUTOUT DIMENSIONS AND THE ALLOWED BOARD TO PANEL MISALIGNMENT.
 7. USE TOOL NUMBER 63813-1400 TO REMOVE TERMINAL FROM HOUSING WHEN NECESSARY. CAUTION: TERMINALS MUST NOT BE REUSED AFTER REMOVAL.
 8. THIS PART CONFORMS TO CLASS B REQUIREMENTS OF COSMETIC SPEC PS-45499-002.



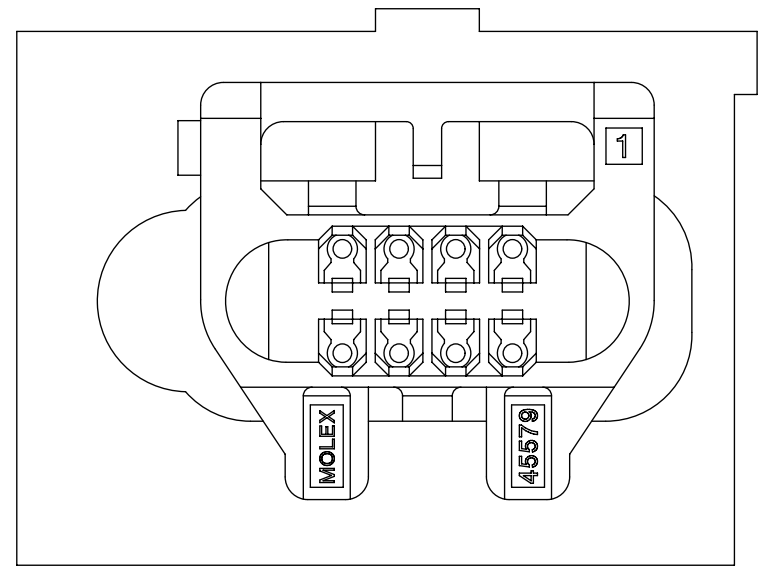
THIS DRAWING CONTAINS INFORMATION THAT IS PROPRIETARY TO MOLEX ELECTRONIC TECHNOLOGIES, LLC AND SHOULD NOT BE USED WITHOUT WRITTEN PERMISSION									
DIMENSION UNITS		SCALE		CURRENT REV DESC:				molex	
MM		3:1							
GENERAL TOLERANCES (UNLESS SPECIFIED)				EC NO: 625546		DRWN: RLALSANGI		2017/11/27	
4 PLACES		±	±	CHK'D: ISHWARG		2019/10/18		PRODUCT CUSTOMER DRAWING	
3 PLACES		±	± 0.005	APPR: ISHWARG		2019/10/18		DOCUMENT NUMBER	
2 PLACES		± 0.13	± 0.01	INITIAL REVISION:		DRWN:		SD-45579-008	
1 PLACE		± 0.25	±	APPR: JCOMERCI		2009/08/28		PSD 001 E1	
0 PLACES		±	±	DRAFT WHERE APPLICABLE MUST REMAIN WITHIN DIMENSIONS		THIRD ANGLE PROJECTION		DRAWING	
ANGULAR TOL		± 0.5°		B-SIZE		SERIES		MATERIAL NUMBER	
DOCUMENT STATUS		P1	RELEASE DATE	2019/10/18	08:25:48	CUSTOMER		GENERAL MARKET	
						SHEET NUMBER		1 OF 3	



PANEL CUTOUT - WIRE ENTRY VIEW
 PANEL THICKNESS: 1.35±0.15mm



RECEPTACLE INSERT POSITION

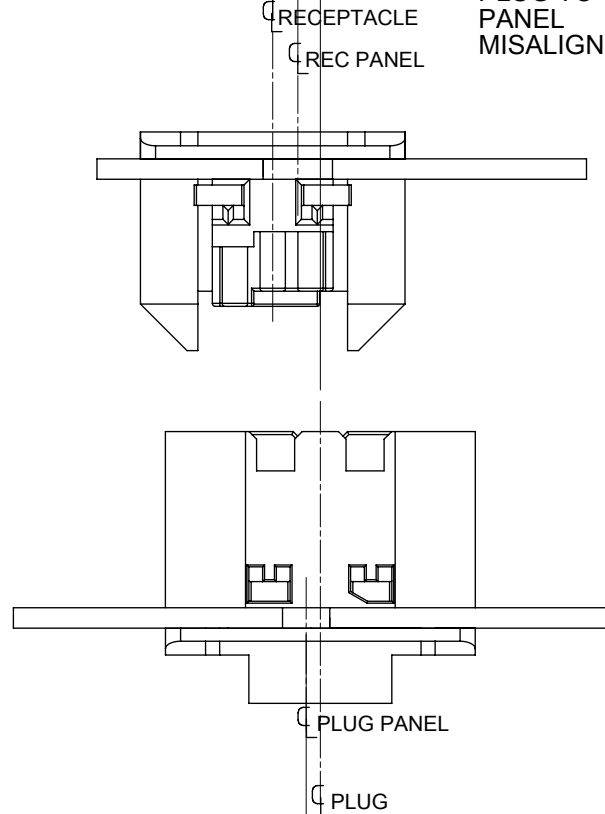


- NOTES:
1. TO CENTER 45579 PANEL CUTOUT WITH 45626 PANEL CUTOUT, ALIGN SPECIFIED CENTERLINES WITH CENTERLINES OF THE PANNEL CUTOUT IN THE DRAWING SD-45626-008.
 2. TERMINALS MUST BE ALLOWED TO FLOAT FREELY WITHIN CORE DO NOT TIE WIRES TOGETHER TIGHTLY, ALLOW WIRE TO MOVE.

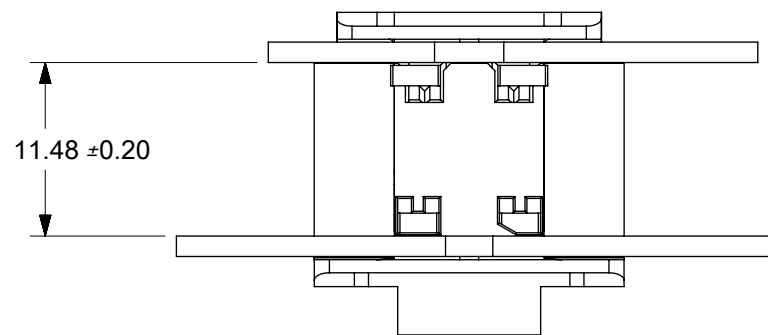
THIS DRAWING CONTAINS INFORMATION THAT IS PROPRIETARY TO MOLEX ELECTRONIC TECHNOLOGIES, LLC AND SHOULD NOT BE USED WITHOUT WRITTEN PERMISSION									
DIMENSION UNITS		SCALE		CURRENT REV DESC:				molex	
MM		3:1							
GENERAL TOLERANCES (UNLESS SPECIFIED)				EC NO: 625546		2017/11/27		SPOX BMI RECEPTACLE HOUSING, 8 PIN	
4 PLACES ±		MM		DRWN: RLALSANGI					
3 PLACES ±		INCH		2019/10/18		PRODUCT CUSTOMER DRAWING		DOCUMENT NUMBER	
2 PLACES ±		0.13		2019/10/18				SD-45579-008	
1 PLACE ±		0.25		INITIAL REVISION:		PSD		001	E1
0 PLACES ±				DRWN:		MATERIAL NUMBER		SHEET NUMBER	
ANGULAR TOL ±		0.5°		APPR: JCOMERCI		45579		2 OF 3	
DRAFT WHERE APPLICABLE MUST REMAIN WITHIN DIMENSIONS				THIRD ANGLE PROJECTION		DRAWING		CUSTOMER	
				B-SIZE		GENERAL MARKET			

3.15 MAX
RECEPTACLE
TO PLUG
MISALIGNMENT

1.66 MAX
PLUG TO
PANEL
MISALIGNMENT



0.94 MAX
RECEPTACLE
TO PANEL
MISALIGNMENT

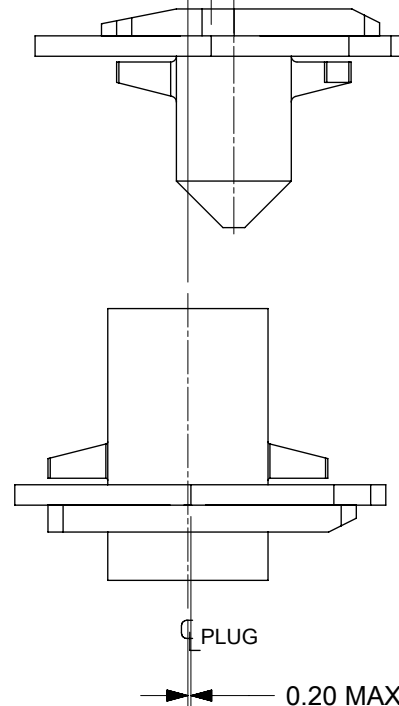


PANEL TO PC BOARD
STACK HEIGHT

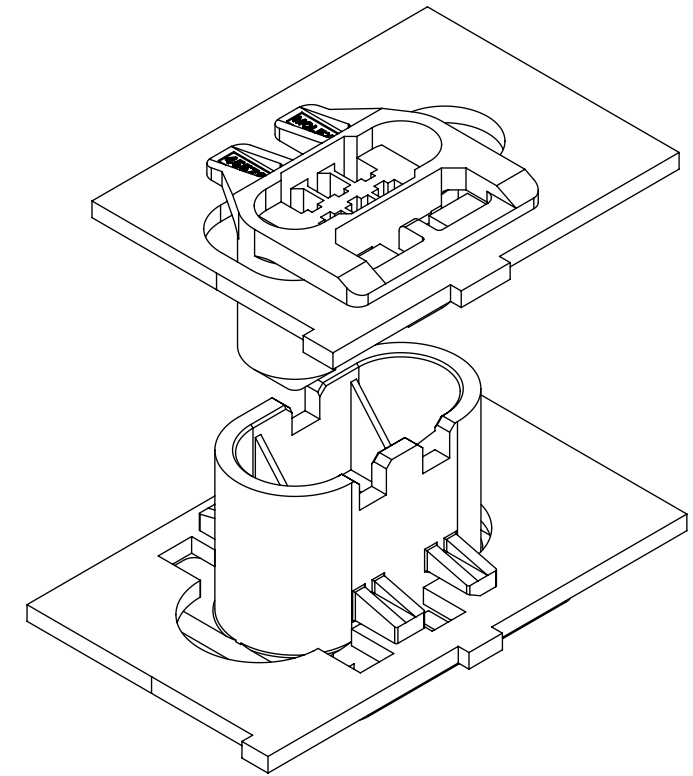
RECEPTACLE

1.50 MAX
RECEPTACLE
TO PANEL
MISALIGNMENT

3.04 MAX
RECEPTACLE
TO PLUG
MISALIGNMENT



0.20 MAX
PLUG TO PANEL
MISALIGNMENT



THIS DRAWING CONTAINS INFORMATION THAT IS PROPRIETARY TO MOLEX ELECTRONIC TECHNOLOGIES, LLC AND SHOULD NOT BE USED WITHOUT WRITTEN PERMISSION									
DIMENSION UNITS		SCALE		CURRENT REV DESC:				molex	
MM		2:1		EC NO: 625546					
GENERAL TOLERANCES (UNLESS SPECIFIED)				DRWN: RLALSANGI		2017/11/27		SPOX BMI RECEPTACLE HOUSING, 8 PIN	
4 PLACES		±	±	CHK'D: ISHWARG		2019/10/18		PRODUCT CUSTOMER DRAWING	
3 PLACES		±	± 0.005	APPR: ISHWARG		2019/10/18		DOCUMENT NUMBER	
2 PLACES		± 0.13	± 0.01	INITIAL REVISION:		SD-45579-008		DOC TYPE	DOC PART
1 PLACE		± 0.25	±	DRWN:		PSD		001	REVISION
0 PLACES		±	±	APPR: JCOMERCI		2009/08/28		E1	
ANGULAR TOL		± 0.5°		THIRD ANGLE PROJECTION		DRAWING		SERIES	MATERIAL NUMBER
DRAFT WHERE APPLICABLE MUST REMAIN WITHIN DIMENSIONS				B-SIZE		45579		CUSTOMER	SHEET NUMBER
				GENERAL MARKET		45579-0008		3 OF 3	