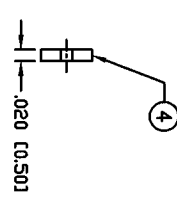
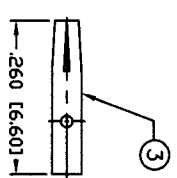
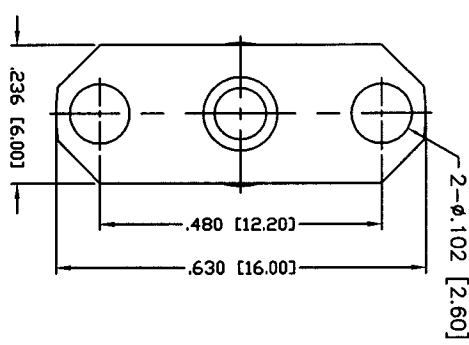
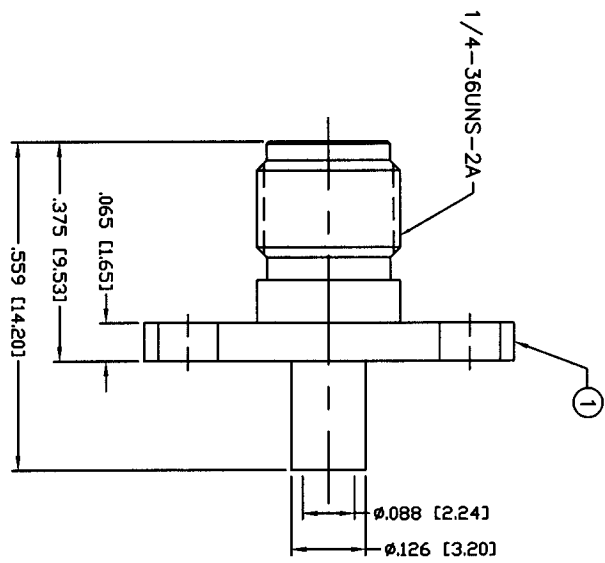
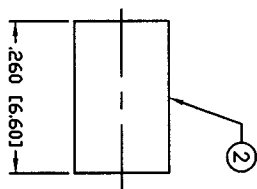
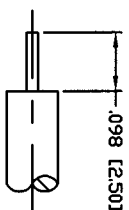


THIS DRAWING CONTAINS INFORMATION PROPRIETARY TO RF INDUSTRIES.  
 ANY UNAUTHORIZED USE OF THIS DRAWING IS EXPRESSLY PROHIBITED  
 WITHOUT WRITTEN PERMISSION FROM RF INDUSTRIES.  
 ANY VIOLATION IS PUNISHABLE UNDER U.S. COPYRIGHT LAWS.

ALL DIMENSIONS ARE REFERENCE ONLY



PIN TO BE SOLDERED



RECOMMENDED STRIPPING INSTRUCTIONS

**SPECIFICATIONS:**

IMPEDANCE: 50 Ohms  
 FREQUENCY RANGE: 0-18 GHz  
 WORKING VOLTAGE: 500 V rms Max. Ⓞ Sed Level  
 INSULATION RESISTANCE: 5k M Ohms min.  
 TEMPERATURE RANGE: -65°C TO 165°C  
 FOR .085 SEMI RIGID, RG-405/U & BELDEN 1671A CABLE

1	BODY	1	BRASS	NICKEL, 100μ"	008974		
2	INSULATOR	1	PTFE	---			
3	CONTACT	1	Be-Cu	GOLD, 50μ"			
4	INSULATOR	1	PTFE	---			
5							
6							
7							
8							
9							
10							
11							
12							
13							
14							
#	DESCRIPTION	QTY	MATRL	FINISH	APPROVALS	DATE	

UNLESS OTHERWISE SPECIFIED:  
 1. REMOVE ALL BURRS  
 2. BREAK ALL CORNERS & EDGES .005 R. MAX.  
 3. CHAMFER 1ST & LAST THREADS 45°  
 4. SURFACE ROUGHNESS 63 FINISH MIL.-STD-10  
 5. DIAMETERS ON COMMON CENTERS TO BE CONCENTRIC WITHIN .002 T.I.R.  
 6. ALL DIMENSIONS ARE AFTER PLATING.

DIMENSIONS ARE IN INCHES AND [MILLIMETERS]  
 UNLESS OTHERWISE NOTED TOLERANCES ARE:  
 DECIMALS .XXX±.003 [.08]  
 .XXX±.005 [.13]  
 DIAMETER .XXX±.001 [.03]  
 .XXX±.003 [.08]

PART NO.		<b>RSA-3550-085</b>	
REV	DESCRIPTION	DWN	DATE
A	ENGINEERING RELEASE	WMD	10/24/93
B	CHG PART NUMBER FROM SRA-2362-085 TO RSA-3550-085	WMD	12/31/93
C	ADD ELECTRIC SPECIFICATIONS	KMM	12/02/96
D	CHANGE SPECS & DWG # 8242	GGG	1/28/02
			APPROVED
			C. JONES
			C. JONES
			R. RICE
			JDMc

**RF connectors**  
 DIVISION OF RF INDUSTRIES, LTD.  
 7610 MIRAMAR RD  
 SAN DIEGO, CA 92126  
 (858) 549-6340  
 (858) 549-6345 FAX

**SMA JACK**

2 HOLE FLANGE

SIZE	CABLE GROUP	DWG. NO.	REV
A	SR1	RSA-3550-085	D
SCALE:	NTS	CAD FILE	OUTLINE
			SHEET 1 OF 1