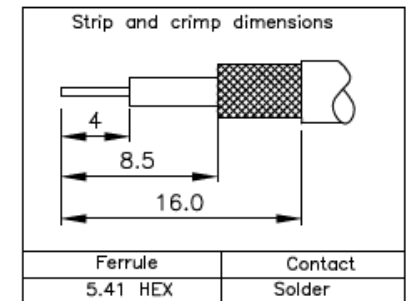
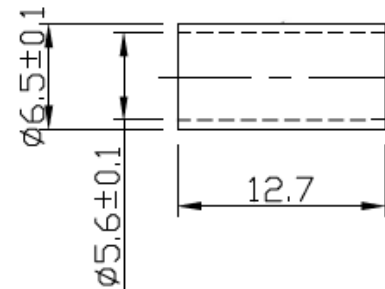
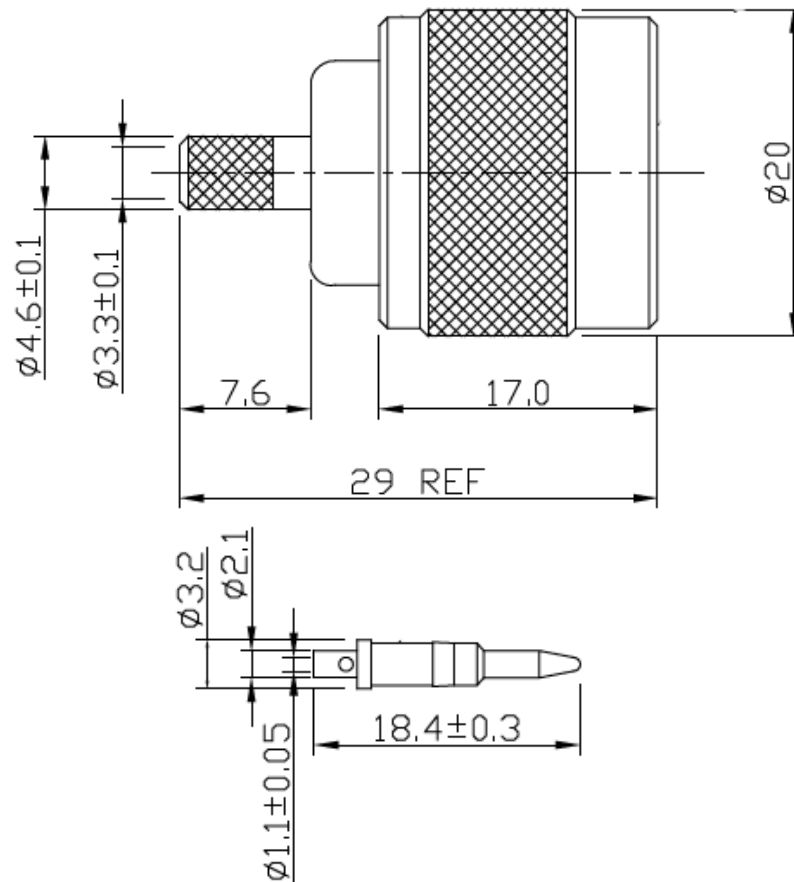




DESCRIPTION: N-CRIMP PLUG RG58
 MODEL NUMBER: CPN681
 APPLICATION: FOR RG58 CABLE
 CRIMP TOOL: 24-8858P
 IMPEDANCE: 50 OHM
 FREQUENCY RANGE: 0 - 11 GHz
 MATERIAL: BODY BRASS NICKEL PLATED
 CONTACT BRASS GOLD PLATED
 INSULATOR PTFE
 CRIMP SLEEVE BRASS NICKEL PLATED
 RoHS COMPLIANCE: YES
 TECHNICAL DETAIL: REFER TO CINCH DOCUMENT PN 26-0000



This PROPRIETARY Document is property of Cinch Connectivity Solutions. It is confidential in nature, non-transferable, and issued with the clear understanding that it is not to be copied or used without permission and is returnable upon demand.
 INTERPRET DRAWING IN ACCORDANCE WITH ASME Y14.5-2009.



RoHS2
 2011/65/EU

UNLESS OTHERWISE SPECIFIED UNITS: METRIC

±0.2
 ANGLES ±2°

AIM-Cambridge			
Title:		N-CRIMP PLUG RG58	
Model No.		CPN681	
Size A	DO NOT SCALE DRAWING	Date: 2016/5/11	Sheet 1 of 1