



Vacuum Suction Cup Connector Holder

SKU: 59004 Weight: 18.00 Gram

Description:

Makeblock vacuum suction cup connector holder is a connector of air tube and [vacuum suction cup](#).

It is a great spare fittings, which is widely used in industry device and DIY projects.

Features:

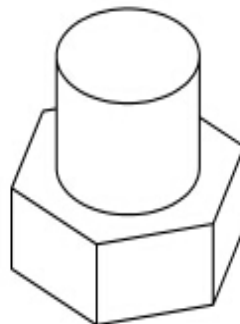
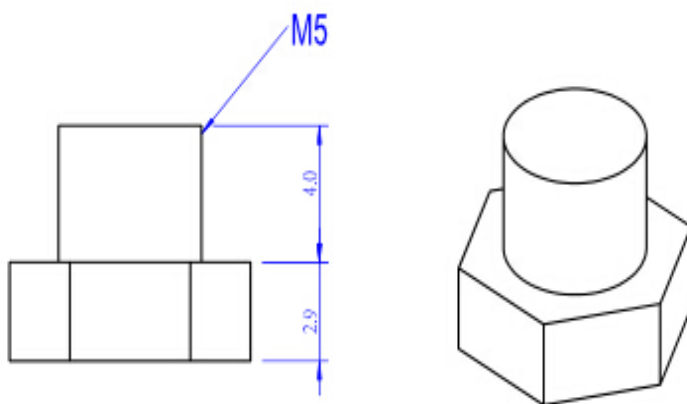
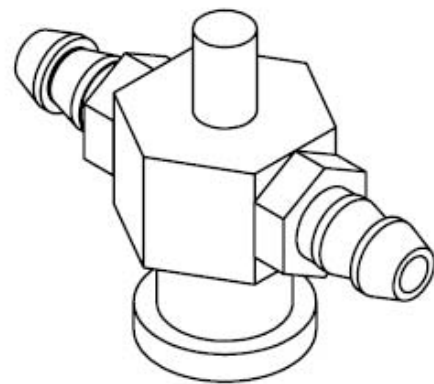
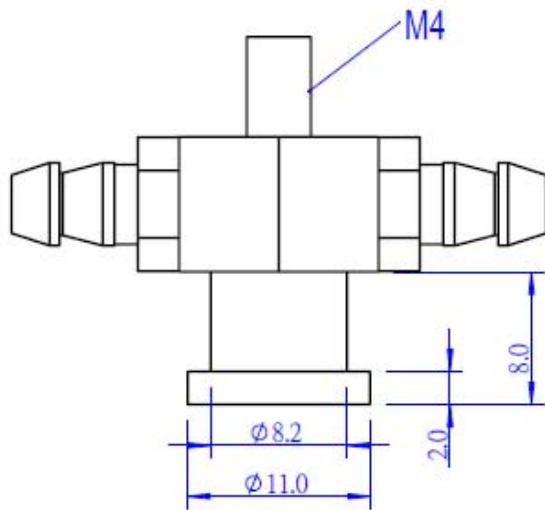
- Material: Metal
- Total Size: 33×22mm
- M4 screw head for better compatibility with Makeblock parts and structures
- Air Tube Mouth Outside Dia(Each) : 5.2mm
- Suction Cup Connected Dia: 8.2mm

Part List:

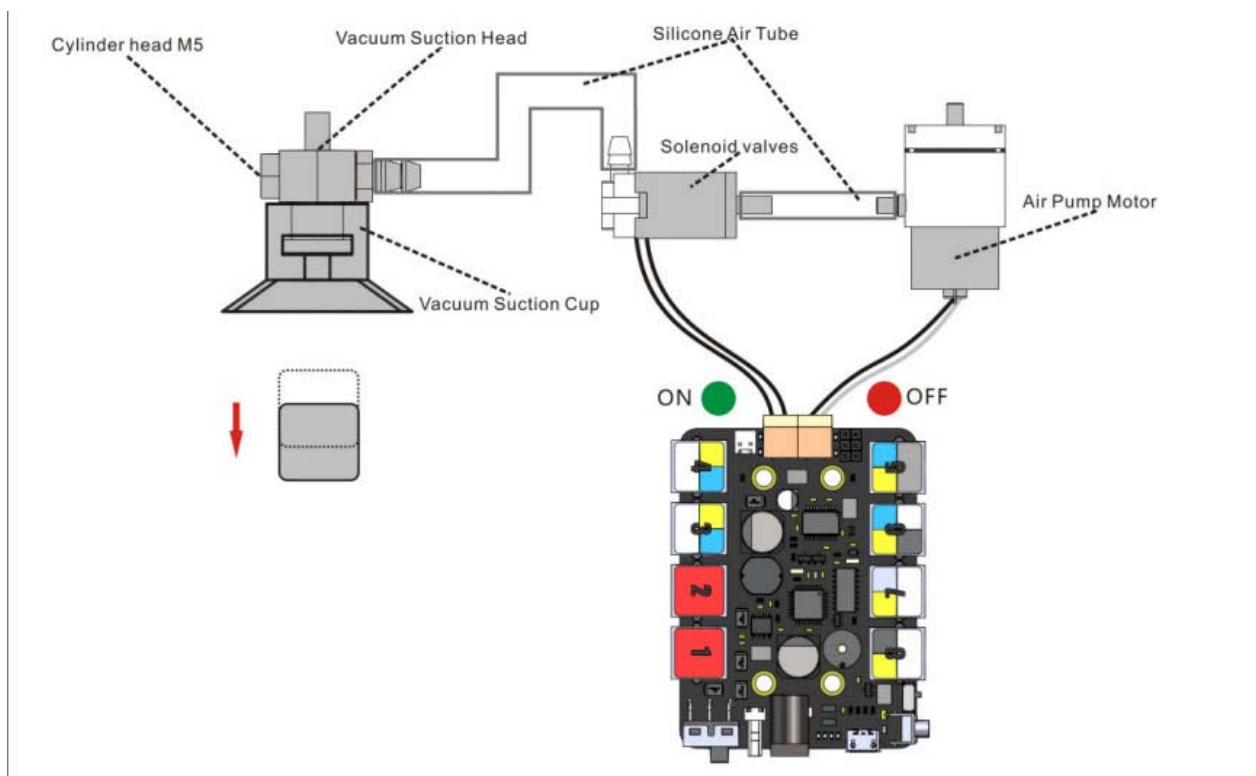
1 × Vacuum suction cup connector holder

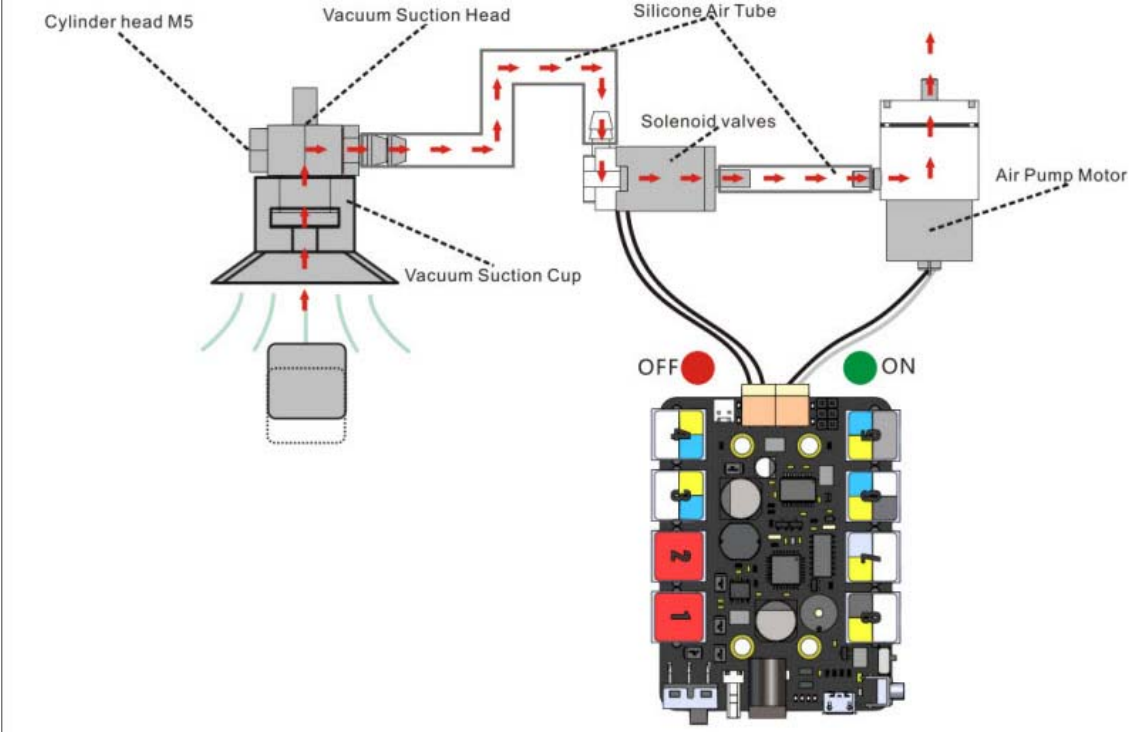
1 × Screw Plug M5

Size Charts(mm):



Demo:





<https://store.makeblock.com/vacuum-suction-cup-connector-holder/2-15-18>