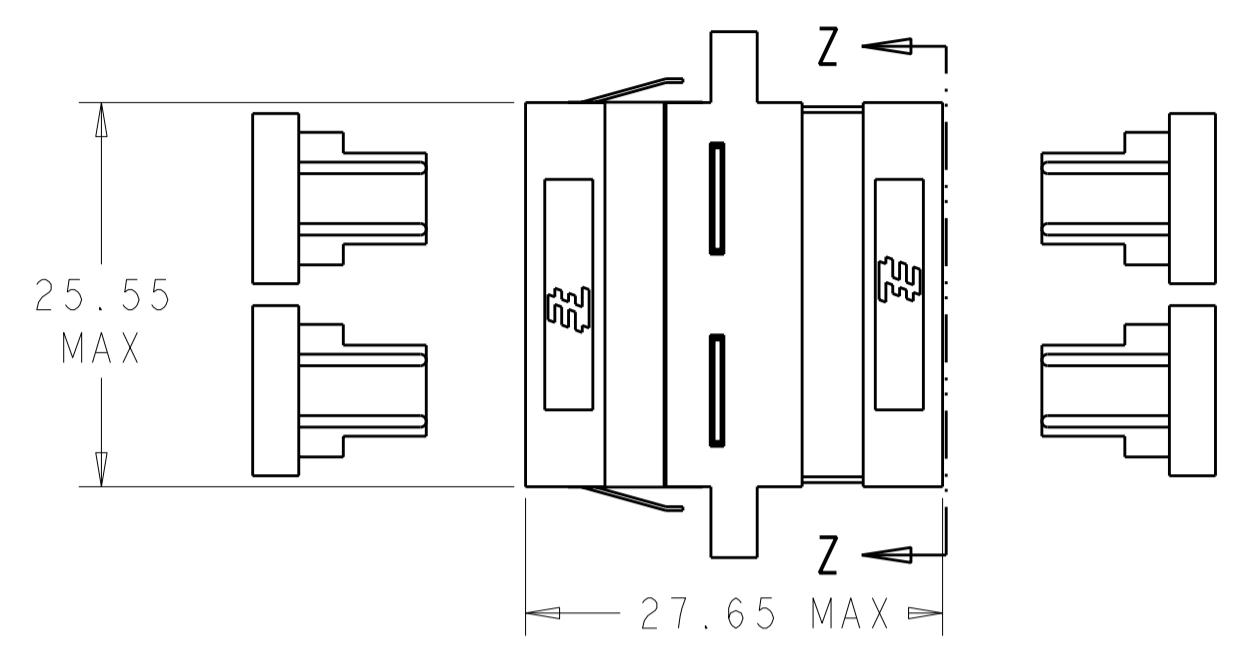
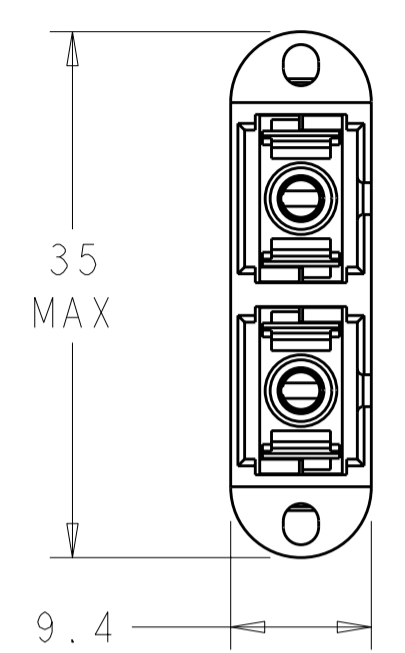


THIS DRAWING IS UNPUBLISHED. RELEASED FOR PUBLICATION 20
 © COPYRIGHT 20 ALL RIGHTS RESERVED.

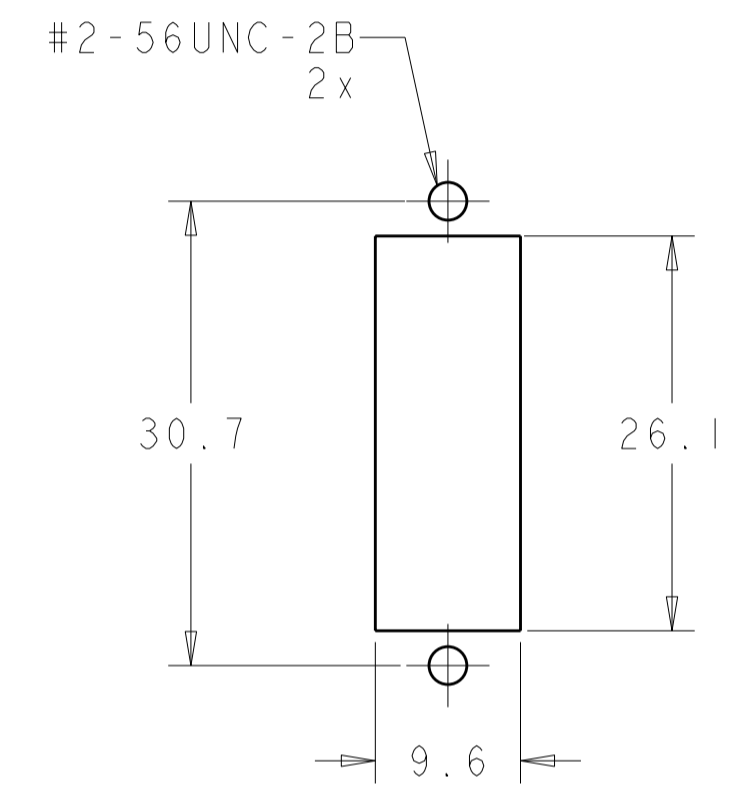
LOC		DIST		REVISIONS			
P	LTR	DESCRIPTION	DATE	DWN	APVD		
	C3	REVISED PER ECO-11-005140	16APR2011	RK	HMR		



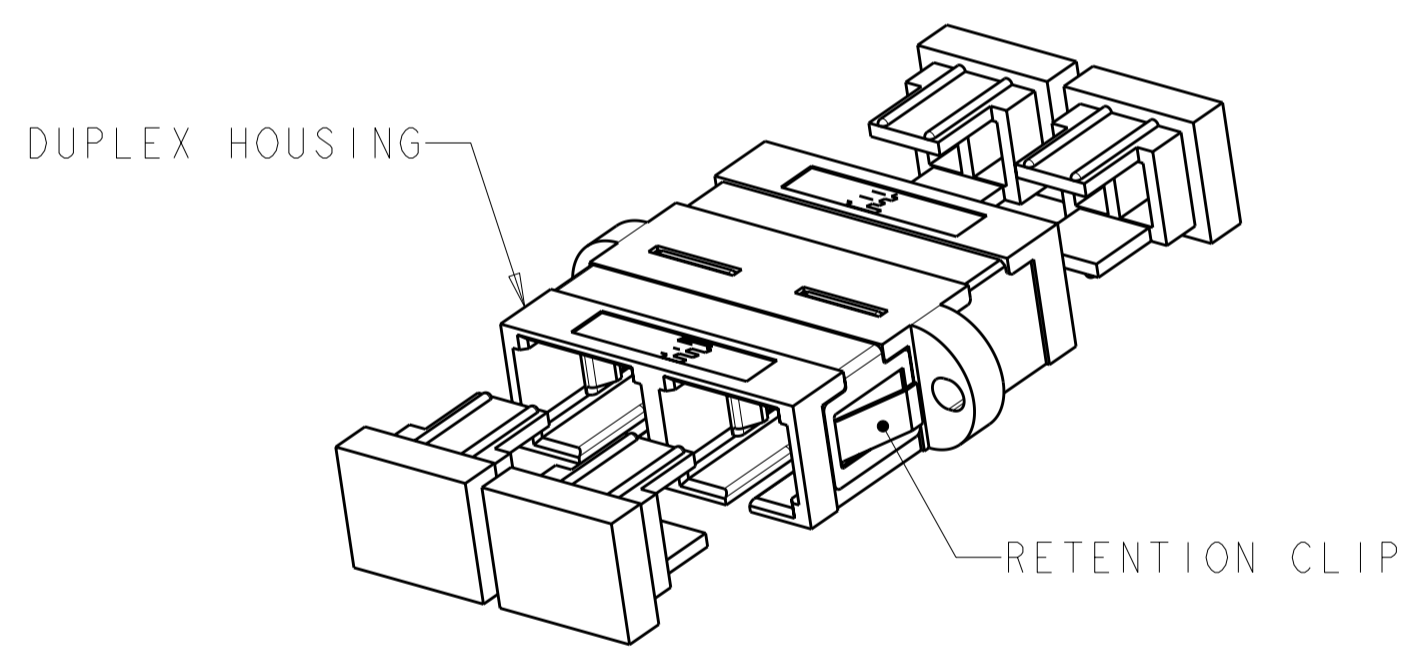
SCALE 2:1



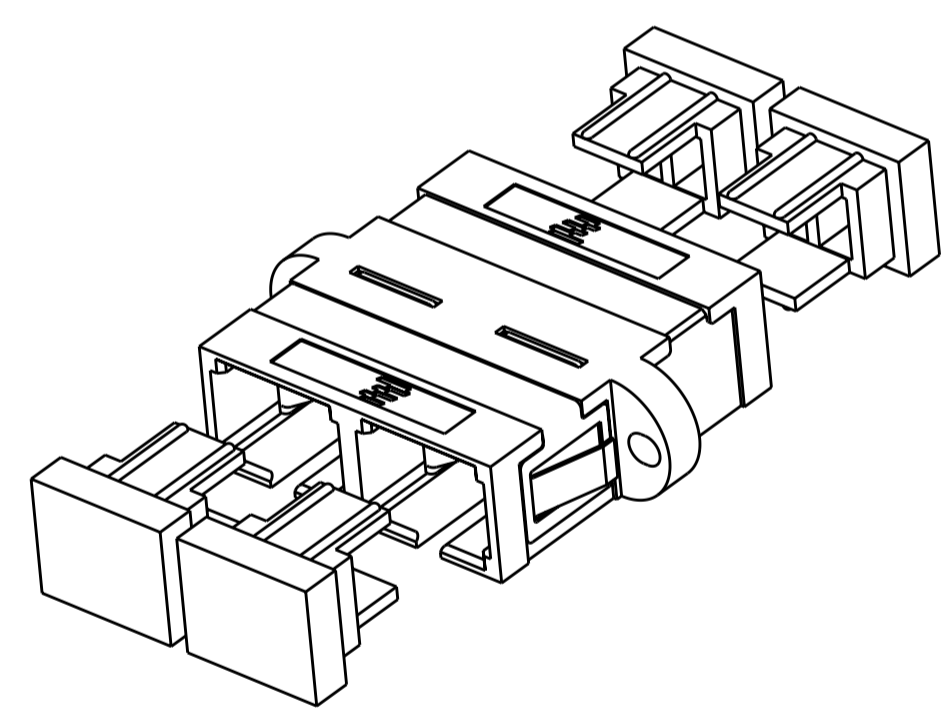
SECTION Z-Z



SCALE 2:1
 SUGGESTED PANEL CUTOUT
 MAX PANEL THICKNESS 1.7



5504640-1/-2/-3/-4/-5/-6
 (WITHOUT TE LOGO)



5504640-7/-8
 (WITH TE LOGO)

1 MATERIAL:
 HOUSING: PBT-GF30, SEE DASH NUMBERS FOR COLOR.*
 RETAINER: PEI-GF30, COLOR: BLACK.*
 RETENTION CLIP: STAINLESS STEEL.
 ALIGNMENT SLEEVE: METAL.
 PROTECTIVE COVER: TPE, COLOR: BLACK.*
 *UL94 V-0 RATED AT QUALIFYING THICKNESS.

2 BULK PACKAGE.

NONE	LT. ALMOND	5504640-8
RETENTION CLIP	BEIGE	5504640-7
RETENTION CLIP	AQUA	5504640-6
RETENTION CLIP	BLACK	5504640-4
NONE	LT ALMOND	5504640-3
RETENTION CLIP	BEIGE	5504640-2
RETENTION CLIP	BEIGE	5504640-1
INCLUDED HARDWARE	COLOR	PART NUMBER

THIS DRAWING IS A CONTROLLED DOCUMENT.		DWN B. BRIGGS 16MAY2005	TE Connectivity	
DIMENSIONS: mm		CHK S. MILLER 16MAY2005		
TOLERANCES UNLESS OTHERWISE SPECIFIED:		APVD S. BUCHTER 16MAY2005	NAME RECEPTACLE ASSEMBLY, DUPLEX, SC TO SC, MULTIMODE	
0 PLC ± 1 PLC ±0.1 2 PLC ±0.05 3 PLC ± 4 PLC ± ANGLES ± FINISH ±		PRODUCT SPEC -	SIZE A2	
MATERIAL		APPLICATION SPEC -	CAGE CODE 200779	DRAWING NO 5504640
1		WEIGHT -	RESTRICTED TO -	SCALE 4:1
CUSTOMER DRAWING		SHEET 1 OF 1		REV C3