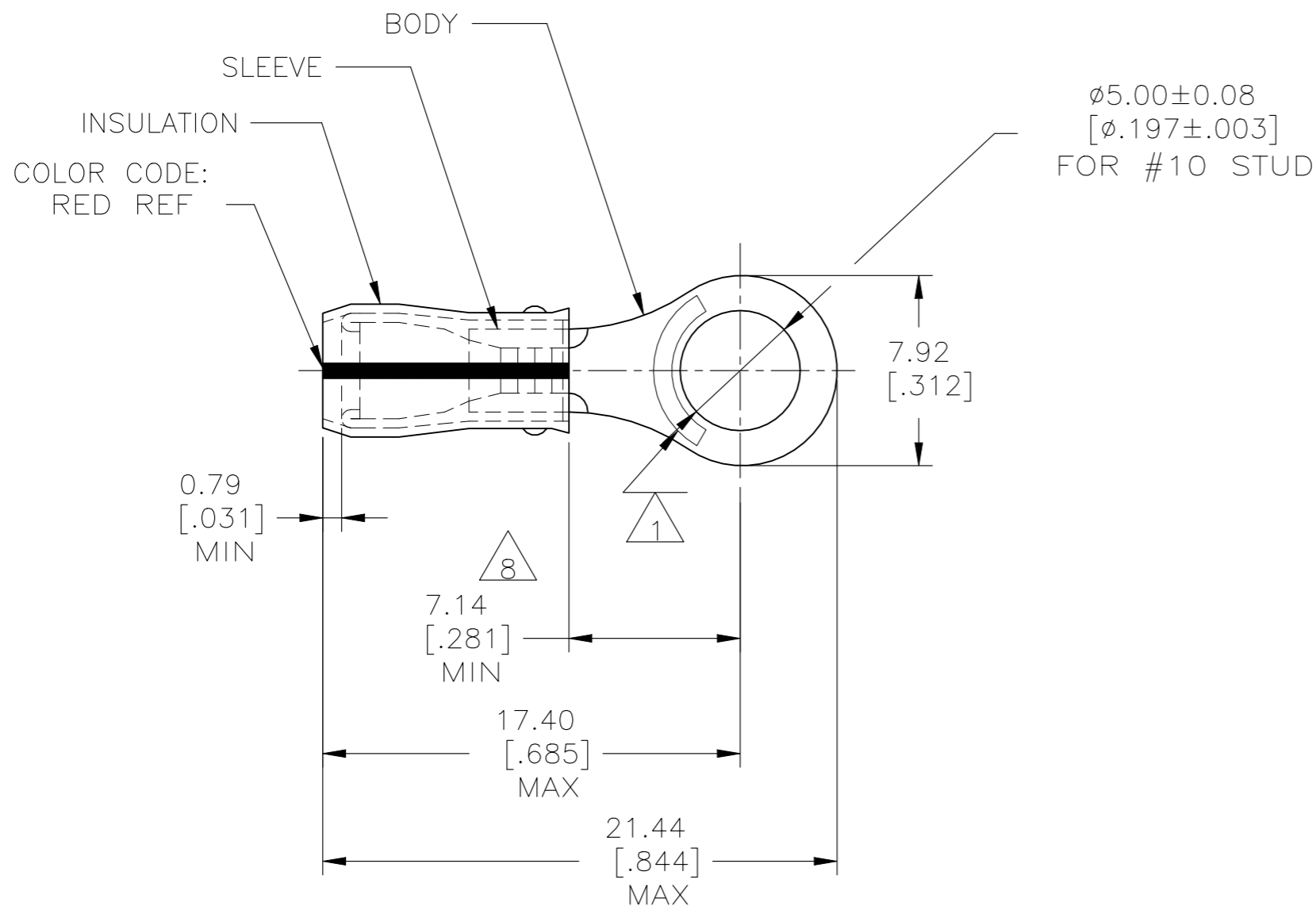


REVISIONS				
P	LTR	DESCRIPTION	DATE	APVD
	K3	REVISED PER ECN-22-156403	06JUN2022	RK CSD



- 1 STAMP AMP 22-18* APPROX AS SHOWN
22-16 TERMINALS ARE STAMPED 22-18 IN ACCORDANCE WITH MILITARY SPEC SAE AS7928
COMMERCIAL WIRE RANGE IS 22-16.
- 2 WIRE INSULATION DIA: 2.03-3.18 [.080 - .125]
- 3 TONGUE MATERIAL THK: 0.79±0.05 [.031±.002]
- 4 TIN/LEAD (93-7) PLATE PER ASTM B545.
(3% MIN LEAD CONTENT).
- 5 NOTE DELETED.
- 6 NOTE DELETED.
- 7 MATERIAL: BODY & SLEEVE- CU PER ASTM B152
INSULATION - PVF2, COLOR - NATURAL
- 8 DIMENSION APPLIES FROM EDGE OF METAL WIRE
BARREL TO CENTER OF STUD HOLE.

MILITARY P/N & CLASS	QTY	PACKAGE TYPE	PART NO.
-	100	LOOSE PIECE, BOX	8-53409-1
M7928/4-103, CLASS 1 M7928/13-103, CLASS 1	1000	LOOSE PIECE	53409-1

AMP INCORPORATED CUSTOMER SERVICE SYSTEMS		MAX RECOMMENDED OPERATING TEMPERATURE: 150°C[302°F] MAX	THIS DRAWING IS A CONTROLLED DOCUMENT.		DWN DK SCHRUM 06/16/93	TE Connectivity NAME TERMINAL, RING TONGUE, PVF2, PIDG WIRE SIZE: 22-16 AWG					
FOR ADDITIONAL PRODUCT INFORMATION OR COPIES OF DRAWINGS AND TECHNICAL DOCUMENTS	PRODUCT INFORMATION CENTER 1-800-522-6752	VOLTAGE RATING: N/A	DIMENSIONS: mm [INCHES]	TOLERANCES UNLESS OTHERWISE SPECIFIED:	CHK RE HERSEY 7/6/93					APVD M ELLIS 7/6/93	SIZE
FOR APPLICATION TOOLING INFORMATION	TOOLING ASSISTANCE CENTER 1-800-722-1111	CIRCULAR MIL AREA: 0.26-1.65mm²[509-3260] STRANDED		0 PLC ± - 1 PLC ± - 2 PLC ± 0.20[.008] 3 PLC ± - 4 PLC ± - ANGLES ± -	APVD M ELLIS 7/6/93	PRODUCT SPEC	NOT AVAILABLE	A3	00779	C-53409	-
FOR ORDER ENTRY	1-800-526-5142	THIS DRAWING IS A CONTROLLED DOCUMENT FOR AMP INCORPORATED. IT IS SUBJECT TO CHANGE AND THE CONTROLLING ENGINEERING ORGANIZATION SHOULD BE CONTACTED FOR THE LATEST REVISION.	MATERIAL	FINISH	APVD M ELLIS 7/6/93	APPLICATION SPEC	CUSTOMER DRAWING	SCALE	SHEET	REV	
			- 7	4			4:1	1 OF 1	K3		