

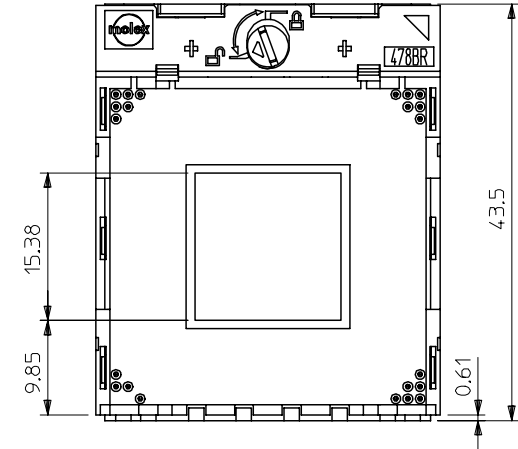
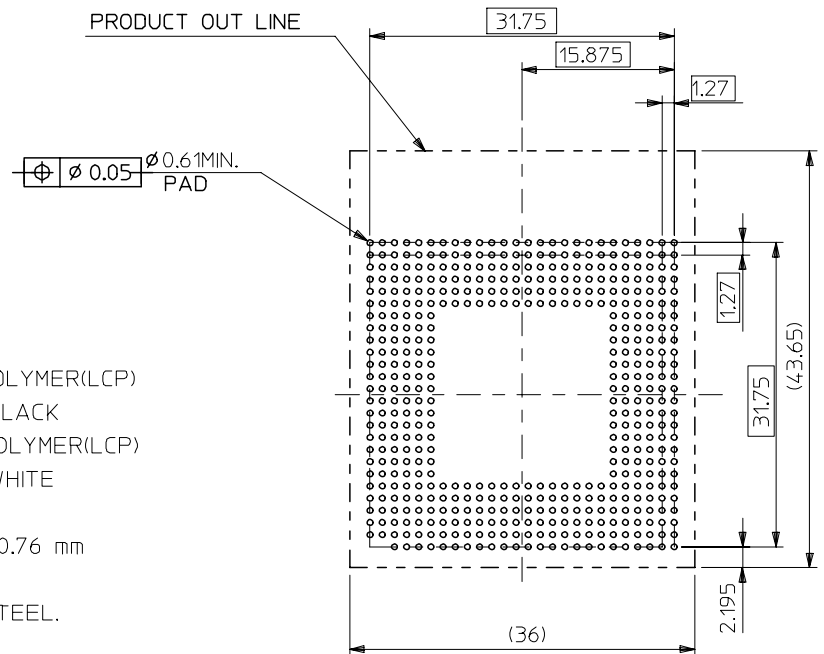
LOCK CONDITION

LEAD FREE

500161-4786	478
MATERIAL NO.	CIRCUIT

REVISE ON CAD ONLY

REVISED EC NO: SH2006-0636 DRWN: SMCHEN 2006/05/05 CHKD: 2006/05/05 APPR: JINCHEN 2006/05/09	QUALITY SYMBOLS	GENERAL TOLERANCES (UNLESS SPECIFIED)	SCALE	DESIGN UNITS	THIRD ANGLE PROJECTION	TITLE	
	▽ = 0	mm INCH	METRIC	DIMENSION STYLE	MPGA478BR SOCKET LEAD FREE TYPE TRAY PACKAGE		
	▽ = 0	4 PLACES ± --- ± --- 3 PLACES ± --- ± --- 2 PLACES ± 0.20 ± --- 1 PLACE ± 0.25 ± ---	MM ONLY	DRAWN BY DATE			
	REV	DESCRIPTION	ANGULAR ± 2 °	APPROVED BY DATE	CHECKED BY DATE	MATERIAL NO.	DOCUMENT NO.
		DRAFT WHERE APPLICABLE MUST REMAIN WITHIN DIMENSIONS	YYAP 2004/07/20	JCHIANG 2004/07/20	SEE CHART	SD-500161-003	1 OF 3
THIS DRAWING CONTAINS INFORMATION THAT IS PROPRIETARY TO MOLEX INCORPORATED AND SHOULD NOT BE USED WITHOUT WRITTEN PERMISSION							

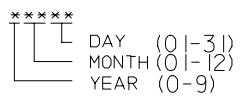


RECOMMENDED P.C. BOARD LAYOUT

NOTES:

1. MATERIAL
 HOUSING: LIQUID CRYSTAL POLYMER(LCP)
 UL 94V-0, COLOR BLACK
 COVER : LIQUID CRYSTAL POLYMER(LCP)
 UL 94V-0, COLOR WHITE
 CONTACT: COPPER ALLOY
 SOLDER BALL: Sn-Ag-Cu, $\varnothing 0.76$ mm
 CAM : STAINLESS STEEL
 CAM HOLDER : STAINLESS STEEL.
2. PLATING
 CONTACT AREA : GOLD 0.25 MICROMETER MIN.
 UNDER PLATING: NICKEL 1.5 MICROMETER MIN.
3. SOLDER BALL COPLANARITY : 0.20mm MAX.

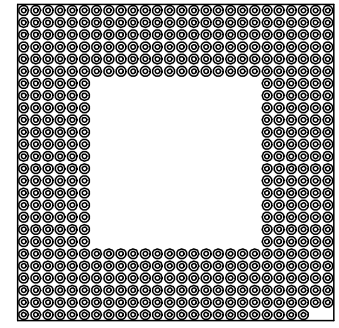
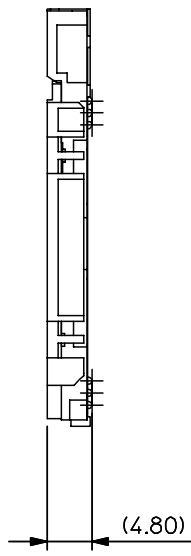
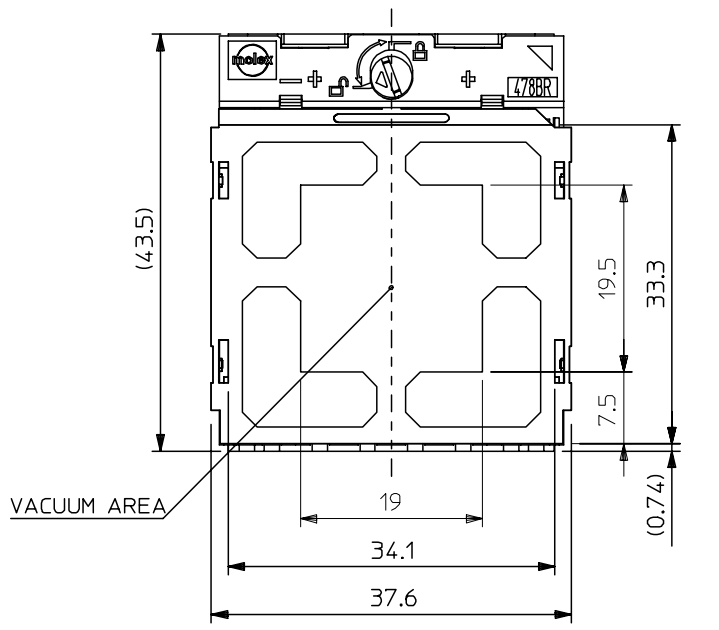
DATE CODE



 NONE: LEAD SOCKET.LF:LEAD-FREE SOCKET

5. PRODUCT SPECIFICATION REFER TO PS-51248-020

REVISED EC NO: SH2006-0636 DRWN: SMCHEN 2006/05/05 CHKD: 2006/05/05 APPR: JINCHEN 2006/05/09	QUALITY SYMBOLS DESCRIPTION	GENERAL TOLERANCES (UNLESS SPECIFIED)		SCALE N/A	DESIGN UNITS METRIC	THIRD ANGLE PROJECTION	REVISE ON CAD ONLY		
			mm	INCH	DIMENSION STYLE MM ONLY		TITLE		
		4 PLACES ± --- ± ---	3 PLACES ± --- ± ---	2 PLACES ± 0.20 ± ---	1 PLACE ± 0.25 ± ---	DRAWN BY AYIN	DATE 2004/07/20	MPGA478BR SOCKET LEAD FREE TYPE TRAY PACKAGE	
		ANGULAR ± 2 °				CHECKED BY JCHIANG	DATE 2004/07/20		
	DRAFT WHERE APPLICABLE MUST REMAIN WITHIN DIMENSIONS			APPROVED BY VYAP	DATE 2004/07/20	MATERIAL NO. SEE SHEET 1	DOCUMENT NO. SD-500161-003	SHEET NO. 2 OF 3	
THIS DRAWING CONTAINS INFORMATION THAT IS PROPRIETARY TO MOLEX INCORPORATED AND SHOULD NOT BE USED WITHOUT WRITTEN PERMISSION								B	



USING INTERPOSER (PIN SIDE VIEW)

AT PACKAGED (WITH ATTACHMENT COVER)

REVISED EC NO: SH2006-0636 DRWN: SMCHEN 2006/05/05 CHKD: 2006/05/05 APPR: JINCHEN 2006/05/09	QUALITY SYMBOLS	GENERAL TOLERANCES (UNLESS SPECIFIED)		SCALE N/A	DESIGN UNITS METRIC	THIRD ANGLE PROJECTION	REVISE ON CAD ONLY	
	DESCRIPTION ▽ = 0 ∇ = 0		mm	INCH	DIMENSION STYLE MM ONLY		TITLE	MPGA478BR SOCKET LEAD FREE TYPE TRAY PACKAGE
		4 PLACES	± ---	± ---	DRAWN BY AYIN	DATE 2004/07/20	MOLEX INCORPORATED SEE SHEET 1	
		3 PLACES	± ---	± ---	CHECKED BY JCHIANG	DATE 2004/07/20		DOCUMENT NO. SD-500161-003
2 PLACES	± 0.20	± ---	APPROVED BY VYAP		DATE 2004/07/20	SHEET NO. 3 OF 3		
1 PLACE	± 0.25	± ---	DRAFT WHERE APPLICABLE MUST REMAIN WITHIN DIMENSIONS		THIS DRAWING CONTAINS INFORMATION THAT IS PROPRIETARY TO MOLEX INCORPORATED AND SHOULD NOT BE USED WITHOUT WRITTEN PERMISSION			
ANGULAR	± 2 °							