

THIS DRAWING IS UNPUBLISHED.

RELEASED FOR PUBLICATION

- . - .

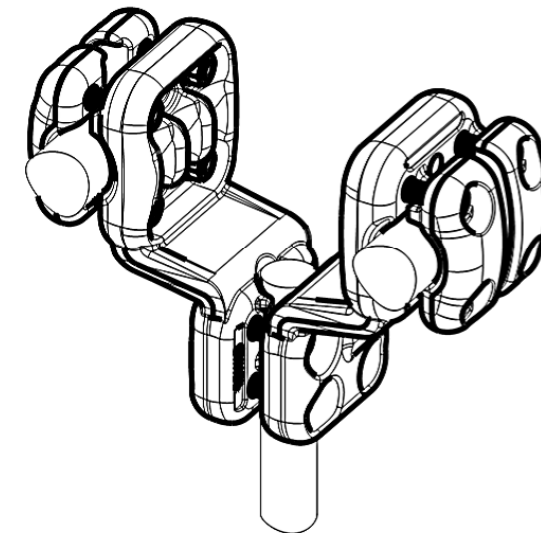
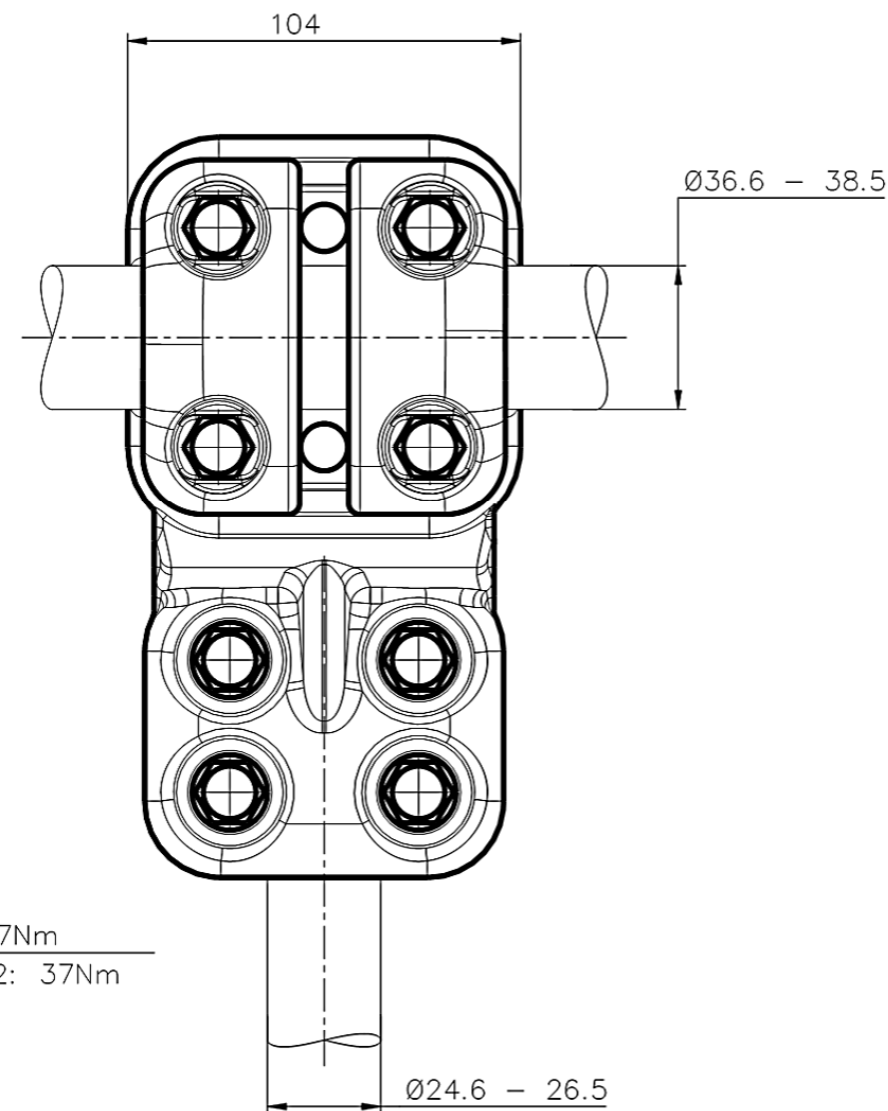
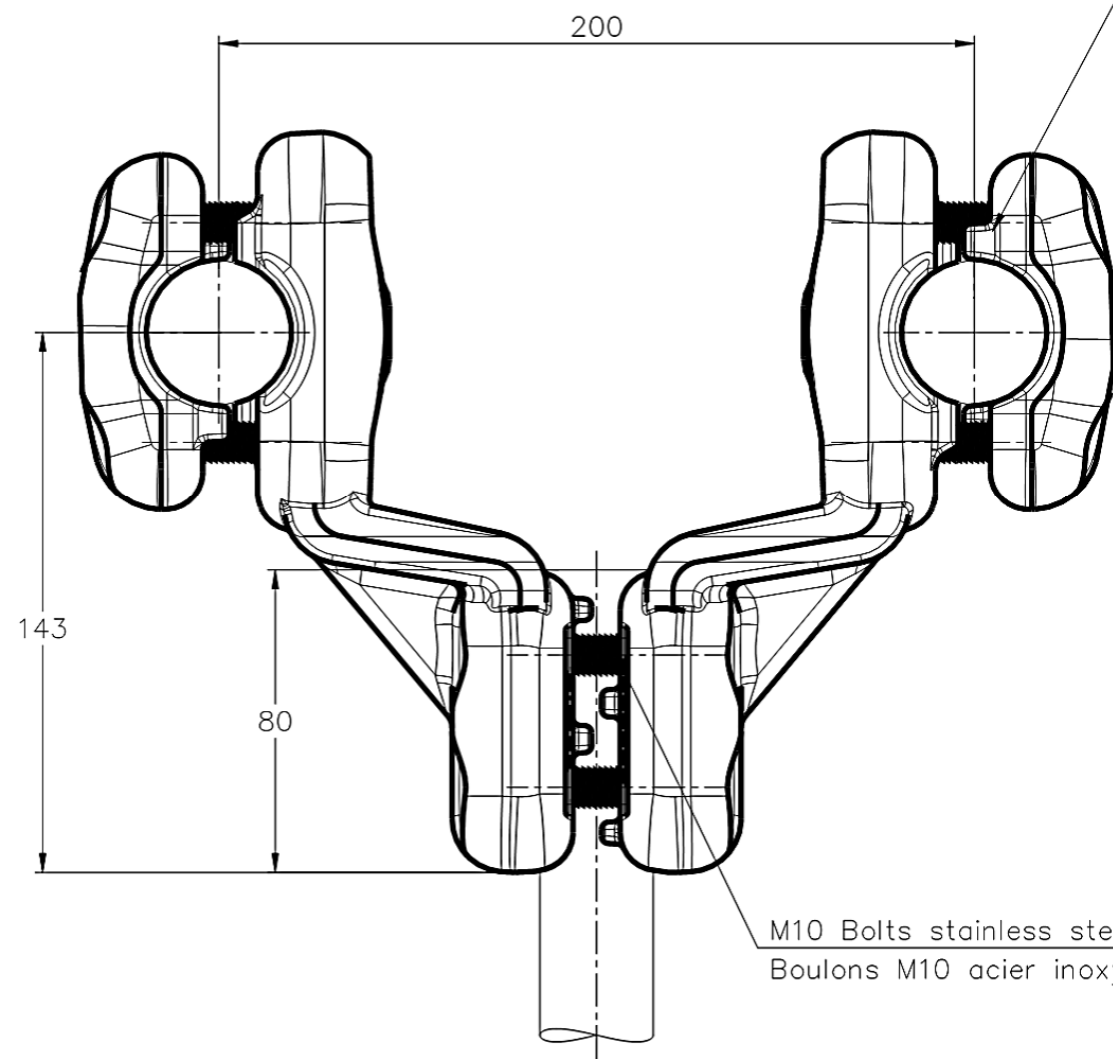
© COPYRIGHT - By -

ALL RIGHTS RESERVED.

REVISIONS

P	LTR	DESCRIPTION	DATE	DWN	APVD
A		CREATION	22-JUN-18	GL	-

M10 Bolts stainless steel A2: 37Nm
 Boulons M10 acier inoxydable A2: 37Nm



No scale
 Sans échelle

THIS DRAWING IS A CONTROLLED DOCUMENT.		DWN	22-JUN-18		STE TE Connectivity
		CHK	LAFORGE		
DIMENSIONS: mm		TOLERANCES UNLESS OTHERWISE SPECIFIED:		APVD	NAME TEE CONNECTOR FOR TWIN TO SINGLE DERIVATION FAISCEAU DOUBLE VERS SIMPLE CABLE 5 CT 82 F M385 E200 S265
		0 PLC	± -	PRODUCT SPEC	
MATERIAL		1 PLC	± -	108-69096-001	SIZE
		2 PLC	± -	APPLICATION SPEC	
		3 PLC	± -		DRAWING NO
		4 PLC	± -		RESTRICTED TO
		ANGLES	± -		A3
		FINISH	-	APPROX.WEIGHT	00779
				3.4 kg	C=2338679
ITEM:.....		CUSTOMER DRAWING		SCALE	1:2
				SHEET	1 of 1
				REV	A