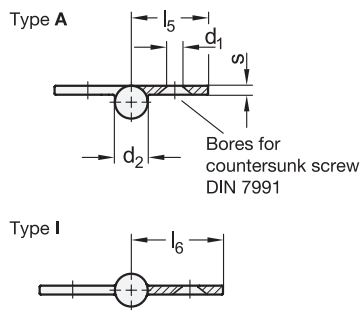


**3 Type**

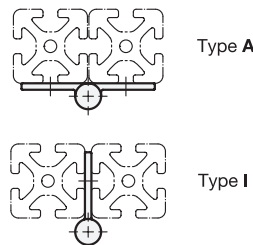
- A Exterior hinge wings
- I Interior hinge wings

**4 Identification**

- C With countersunk holes



**Assembly instruction**



**Metric table**

Dimensions in: millimeters - inches

1		2												
l <sub>1</sub>		l <sub>2</sub>	d <sub>1</sub>	d <sub>2</sub>	l <sub>3</sub>	l <sub>4</sub>	l <sub>5</sub>	l <sub>6</sub>	m <sub>1</sub>		m <sub>2</sub>	m <sub>3</sub>	m <sub>4</sub>	s
Type A	Type I								Type A	Type I				
72	86	245	6.6	14	80	80	36	43	40.8	55	50	32.5	50	3.5
2.83	3.39	9.65	0.26	0.55	3.15	3.15	1.42	1.69	1.61	2.17	1.97	1.28	1.97	0.14
72	86	415	6.6	14	80	250	36	43	40.8	55	50	67.5	150	3.5
2.83	3.39	16.34	0.26	0.55	3.15	9.84	1.42	1.69	1.61	2.17	1.97	2.66	5.91	0.14
72	86	565	6.6	14	80	400	36	43	40.8	55	50	67.5	150	3.5
2.83	3.39	22.24	0.26	0.55	3.15	15.75	1.42	1.69	1.61	2.17	1.97	2.66	5.91	0.14

**Specification**

- Body  
Aluminum  
Anodized finish, natural color **EL**
- Bearing bushing / cover cap  
Plastic  
Technopolymer (Polyamide PA)  
Gray, RAL 7035
- Tapered dowel pin ISO 8741  
Steel, zinc plated, blue passivated finish
- *Plastic Characteristics* → page 2135
- **RoHS compliant**

**On request**

- Other lengths and hole spacings
- Other finishes

**Information**

GN 2295 triple winged hinges are made of drawn profiled aluminum and can be used on doors and covers.

External hinge wing, type A hinges, allow mounting with a very small door gap. Type I hinges are mounted between the door gap. This results in the mounting screws being hidden when the door is closed, which reduces the chance of vandalism.

The hinges are delivered loose and must be mounted according to the accompanying instructions. Any hinge combination may be created (if needed, by shortening the middle wing) thanks to the modular design and available accessories.

see also...

- *List of Hinge Types* → page 1324
- *Product Family Standard Parts for Profile Systems* → page 18

How to order	
1	Width l <sub>1</sub>
2	Length l <sub>2</sub>
3	Type
4	Identification
5	Finish

**GN 2295-86-565- I -C-EL**

3.1  
3.2  
3.3  
3.4  
3.5  
3.6  
3.7  
3.8  
3.9  
3.10