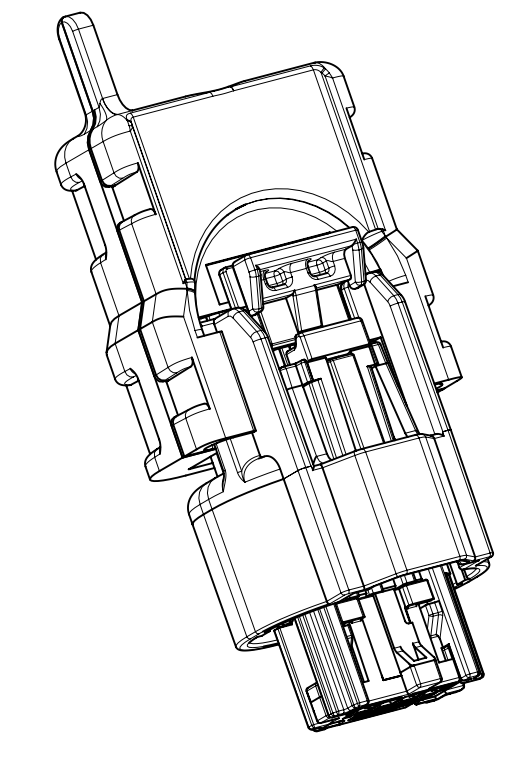
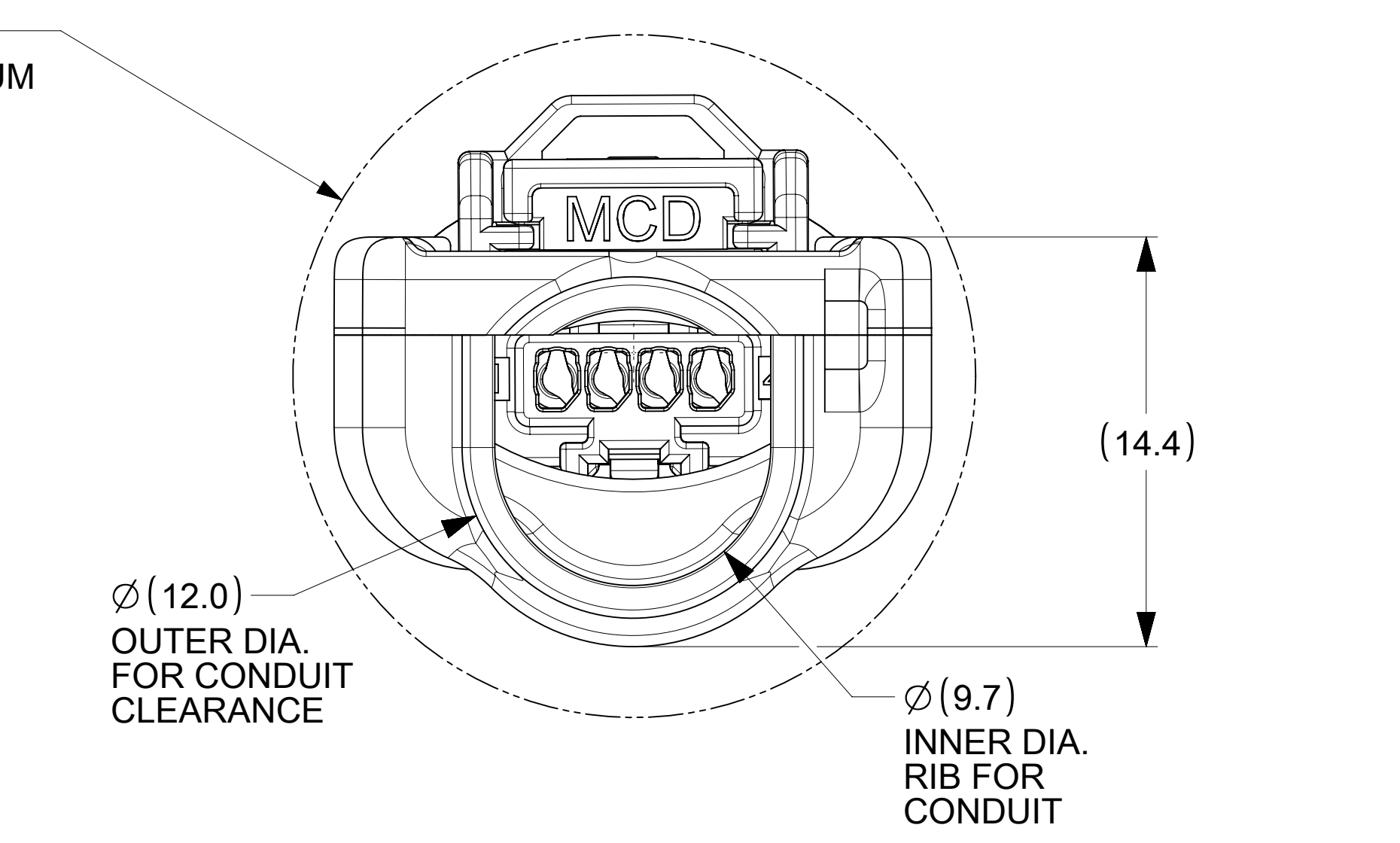
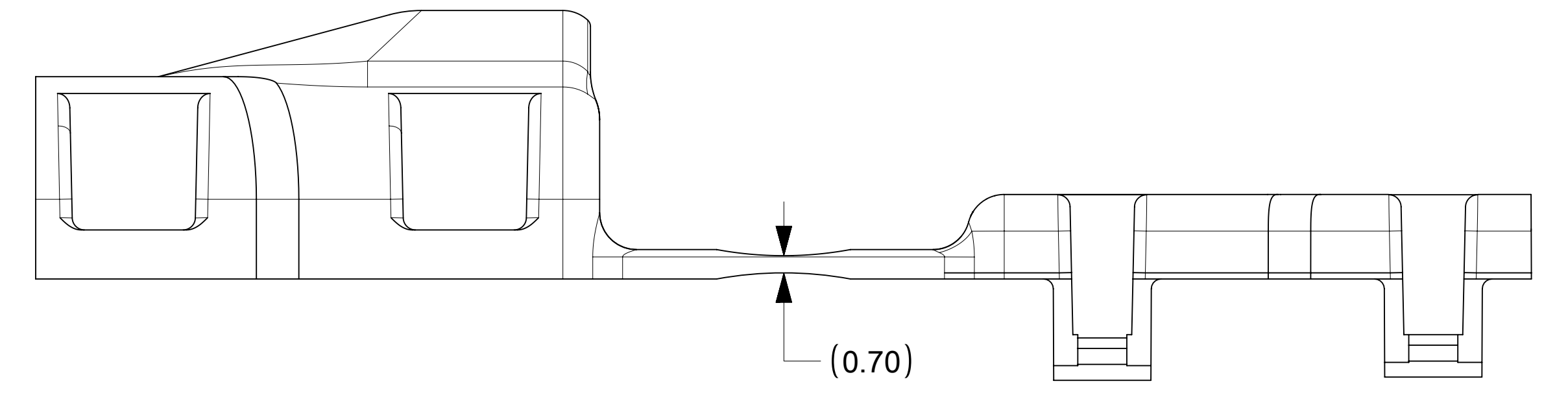


NOTES: VALID UNLESS OTHERWISE SPECIFIED

- GENERAL
 - PRODUCT SPECIFICATION: 349670001
 - APPLICATION SPECIFICATION: 2130882410-AS
 - PACKAGING SPECIFICATION: PK-31301-898
 - COSMETIC SPECIFICATION: PS-45499-002
 - DIMENSIONS AND TOLERANCES PER ASME Y14.5-2009
 - MATES WITH: 34967-400X (MINI50 1X4 CONNECTOR)
- MATERIALS
 - MATERIAL: PA66 NYLON 0% GF, UL94V-2, 25% REGRIND MAX BY WEIGHT
COLOR: BLACK



SCALE 2:1

SYMBOLS		THIS DRAWING CONTAINS INFORMATION THAT IS PROPRIETARY TO MOLEX ELECTRONIC TECHNOLOGIES, LLC AND SHOULD NOT BE USED WITHOUT WRITTEN PERMISSION		CURRENT REV DESC:		molex				
DIMENSION UNITS	SCALE					DOCUMENT NUMBER	DOC TYPE	DOC PART	REVISION	
▽ = 0	mm	5:1					2130885410	PSD	000	A
▽ = 0	GENERAL TOLERANCES (UNLESS SPECIFIED)		EC NO: 672046				MINI50 SEALED 1X4 BACKSHELL			
▽ = 0	ANGULAR TOL ± °		DRWN: RCARLSON 2021/06/04				PRODUCT CUSTOMER DRAWING			
▽ = 0	4 PLACES ±		CHK'D: JCONDON 2021/08/09							
▽ = 0	3 PLACES ±		APPR: JCONDON 2021/08/09							
▽ = 0	2 PLACES ±		INITIAL REVISION:							
▽ = 0	1 PLACE ± 0.25		DRWN: RCARLSON 2021/06/04							
▽ = 0	0 PLACES ±		APPR: JCONDON 2021/08/09							
■ = 0	DRAFT WHERE APPLICABLE MUST REMAIN WITHIN DIMENSIONS		THIRD ANGLE PROJECTION		DRAWING	SERIES	MATERIAL NUMBER	CUSTOMER	SHEET NUMBER	
▽ = 0			D-SIZE		213088	2130885410	GENERAL MARKET	1 OF 1		