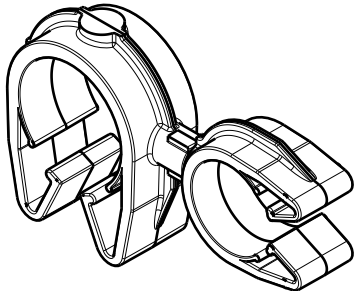
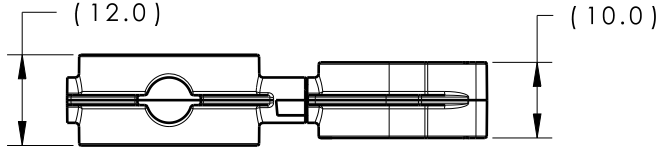
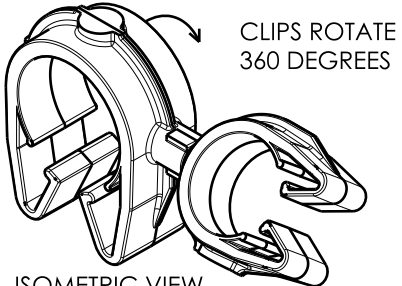
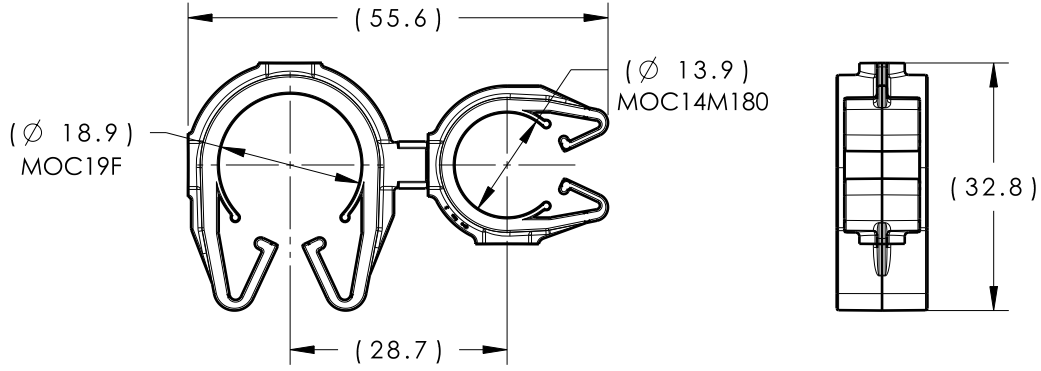


Revision Level			Revision Record	Changed	Date	Approved	Date
Drawing	State	Part					
00.0	Design Release	-	SEE ECN# 014632	TAT	9/7/18	EJH	9/7/18



ISOMETRIC VIEW



CLIPS ROTATE 360 DEGREES

ISOMETRIC VIEW ROTATED

TYPE	MOC19F	MOC14M180
HARNESS	17.0MM - 20.0MM	14.0MM - 17.0MM
HOSE	17.0MM - 20.0MM	14.0MM - 17.0MM
HARD PIPE/TUBE	19.0MM - 21.8MM	15.9MM - 18.3MM

*RECOMMENDED SIZES MAY DIFFER DEPENDING ON THE APPLICATION , PRODUCT REQUIREMENTS AND MATERIALS USED

**PATENT PENDING 29/582,271

GLOBAL PART DESCRIPTION	MOC19F			MOC14M180**		
	DRAWING	MATERIAL	COLOR	DRAWING	MATERIAL	COLOR
MOC19FMOC14M180-PA66HIRHSUV-BK	16-0322-000-CSU	PA66HIRHSUV	BLACK	16-0320-000-CSU	PA66HIRHSUV	BLACK
Material SEE CHART COLOR: SEE CHART Units millimeters Tolerance defined on each dimension	The copyright of this drawing is reserved by HellermannTyton. It is issued on condition that it is not reproduced, copied or disclosed to a third party, either wholly or in part, without the consent of HellermannTyton.	Drawn TAT 9/7/18 Approved EJH 9/7/18 HellermannTyton North America Email: corp@htamericas.com Web: www.hellermann.tyton.com	Article/Type-No MOC19FMOC14M180 Title 19MM MOC COUPLED TO A 14MM MOC Drawing-No PRODUCTION : Phase 16-0330-642-CSU	Scale 1:1 Project Number 16-0330 Format AH Sheet 1/1		